

AUTOMATIC DOOR SAFETY SENSOR


Door Threshold & Side Screen Safety


HR94D1



FEATURES

- The sensor is ideal for monitoring the danger zone to the side of an automatic door where the moving door leaf may hit an unsuspecting person.
- HR94D1 can also be used to ensure door threshold safety.
- Incorporated in the built in microprocessor is a presence timer that can be user set to 2, 15, 60 and 180 seconds.
- The sensors microprocessor automatically takes countermeasures against adverse conditions such as falling snow, strong sunrays and electrical noise.
- Quick Installation and easy to adjust.
- Active area is very well defined and can be easily adjusted using dipswitches and potentiometers.
- Operation 12-32V AC/DC, form C relay.

 HR94D1 is specifically designed for side screen or door threshold safety applications.

 Consist of 1 row of precisely focused motion and presence detection beams.



MEETING YOUR
SENSING
REQUIREMENTS

www.hotron.com



AUTOMATIC DOOR SAFETY SENSOR

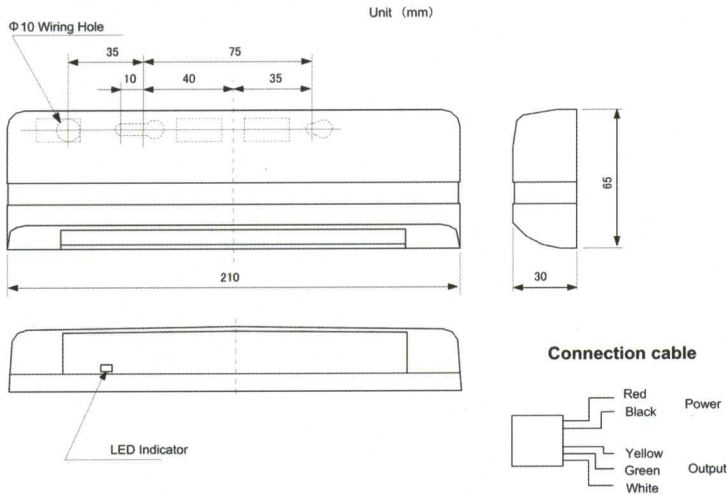


HR94D1



Door Threshold & Side Screen Safety

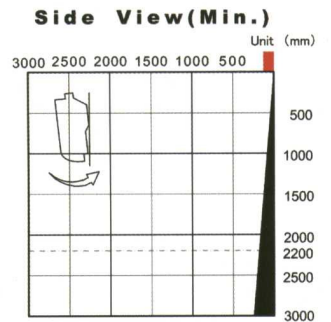
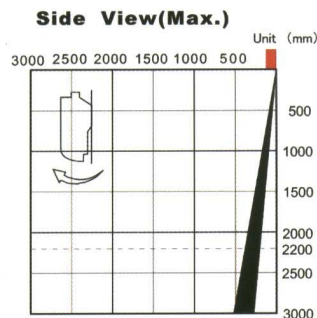
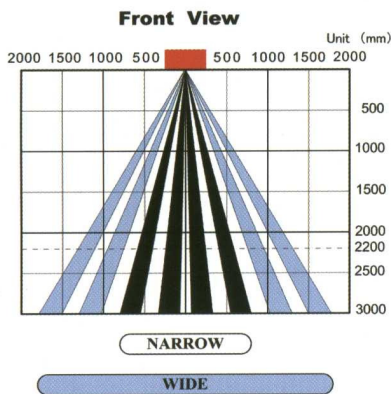
Dimensions



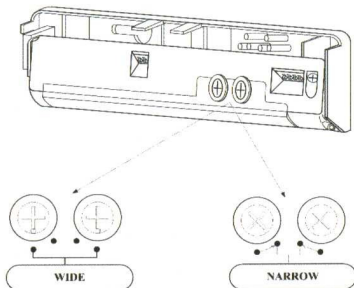
Model	HR94D1 (Motion & Presence)
Detection Method	Active Infrared Detection
Installation Height	Max 3000 mm
Pattern Adjustments	Pattern Width (Wide or Narrow) Angle adjustment 0° to 5° in 3 steps
Presence Timer	2, 15, 60, 180 sec.
Power Supply	12 to 32V AC or DC ±10%
Power Consumption	AC24V-2VA, AC12V-1.5VA DC24V-55mA, DC12V-85mA
Output Contact	Relay contact: DC50V 0.1A (Resistance Load) Yellow Cable: Close when detecting Green Cable: Open when detecting White Cable: Common
Output Holding Time	Approx. 0.5 sec.
LED Indication	Power on: Green = ON Detecting: Red = ON Hunting Door: Orange = ON Self Diagnostic Function: Red/Green = Flashing
Temperature Range	-20°C to +60°C
Weight	Approx. 200g
Color	Black & Silver
Accessories	Connection Cable, Mounting Template, Mounting Screws, Installation Instructions

NOTE: Specifications may change without prior notice

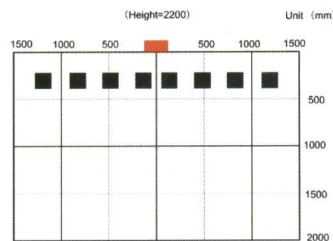
Detection Area



Width Adjustment



Plan View (Max.)



Plan View (Min.)

