

**VHF chokes with ferrite core**  
**Rated voltage 500 V dc/ac**  
**Rated current 0,1 to 6 A**  
**Rated inductance 7 to 1200  $\mu$ H**



**Construction**

- Ferrite cylinder core
- Winding: single-layer, enamel copper wire
- Polyester insulating sleeve

**Features**

- High resonance frequency
- Wide inductance range

**Applications**

- RF blocking and filtering
- Interference suppression in small-size equipment
- Decoupling and telecommunications and entertainment electronics

**Marking**

$L_R$  and  $I_R$  in clear text and VDE mark

**Delivery mode**

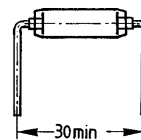
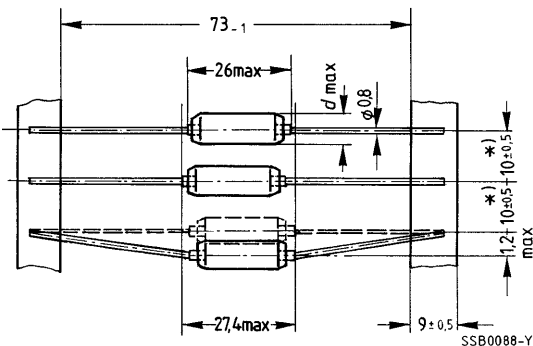
Taped and reeled

For details on packing and packing units see page 438.

**Mark of conformity / test standard**

	VDE 0565-2
--	------------

**Outline drawing**



\*) Tolerance over 10 spacings  $\pm 2$  mm

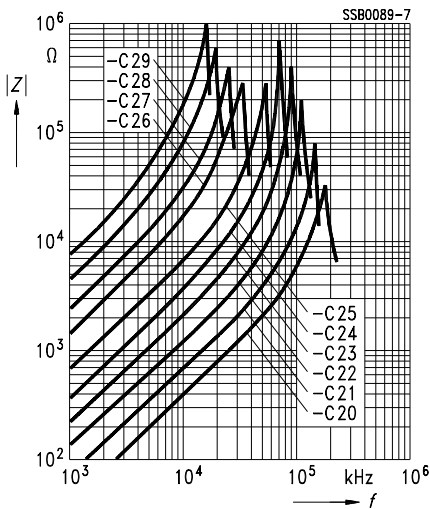
**Characteristics and ordering codes**

For further technical data see page 1.

$I_R$	$L_R$	$R_{typ}$	$f_{res}$	Approx. weight	Dimensions	Ordering code
A	$\mu\text{H}$	$\text{m}\Omega$	MHz	g	$d_{max}$ mm	
0,1	1200	34000	16	2,2	6,0	B82111-E-C29
0,2	680	14000	19	2,2	6,0	B82111-E-C28
0,3	470	6500	25	2,3	6,0	B82111-E-C27
0,5	220	2600	32	2,3	6,5	B82111-E-C26
1	100	650	55	2,5	6,5	B82111-E-C25
1,5	56	300	70	2,7	6,5	B82111-E-C24
2	40	180	90	3,0	7,0	B82111-E-C23
3	22	70	110	3,3	7,0	B82111-E-C22
4	12	40	140	3,5	7,5	B82111-E-C21
6	7	20	180	3,6	7,5	B82111-E-C20

**Impedance  $|Z|$   
versus frequency  $f$   
(typical values)**

B82111-E-



**VHF chokes with ferrite core**  
**Rated voltage 500 V dc/ac**  
**Rated current 2 to 10 A**  
**Rated inductance 3 to 25  $\mu$ H**



**Construction**

- Ferrite cylinder core
- Winding: single-layer, enamel copper wire, winding ends brought out as leads
- Polyester insulating sleeve

**Features**

- High resonance frequency
- High rated current

**Applications**

- RF blocking and filtering
- Interference suppression in small-size equipment


**Marking**

$L_R$  and  $I_R$  in in clear text and VDE mark

**Delivery mode**

Bulk

**Approvals**

Mark of conformity	Standard
	VDE 0565-2