

Leaded ceramic multilayer capacitors

Mono-kap™ series

FEATURES

- Very high capacitance per unit volume
- Low cost.

APPLICATIONS

These conformally coated radial leaded capacitors are designed for commercial and industrial applications in three dielectrics, NP0 (ultra-stable), X7R (stable) and Z5U (general purpose). Applications include timing, coupling/decoupling, signal comparison and biasing. Mono-kap™ capacitors are suitable for automatic insertion equipment.

DESCRIPTION

The basic capacitor construction consists of ceramic dielectric materials processed into a tape with a typical thickness range from 0.025 to 0.076 mm. Metal electrode patterns are applied using a thick film screening process. Multiple layers are stacked and laminated in such a manner that electrodes are alternately exposed when the pattern is cut into individual chip capacitors. The capacitors are fired through a high temperature profile to mature the ceramic and metal into a homogeneous unit.

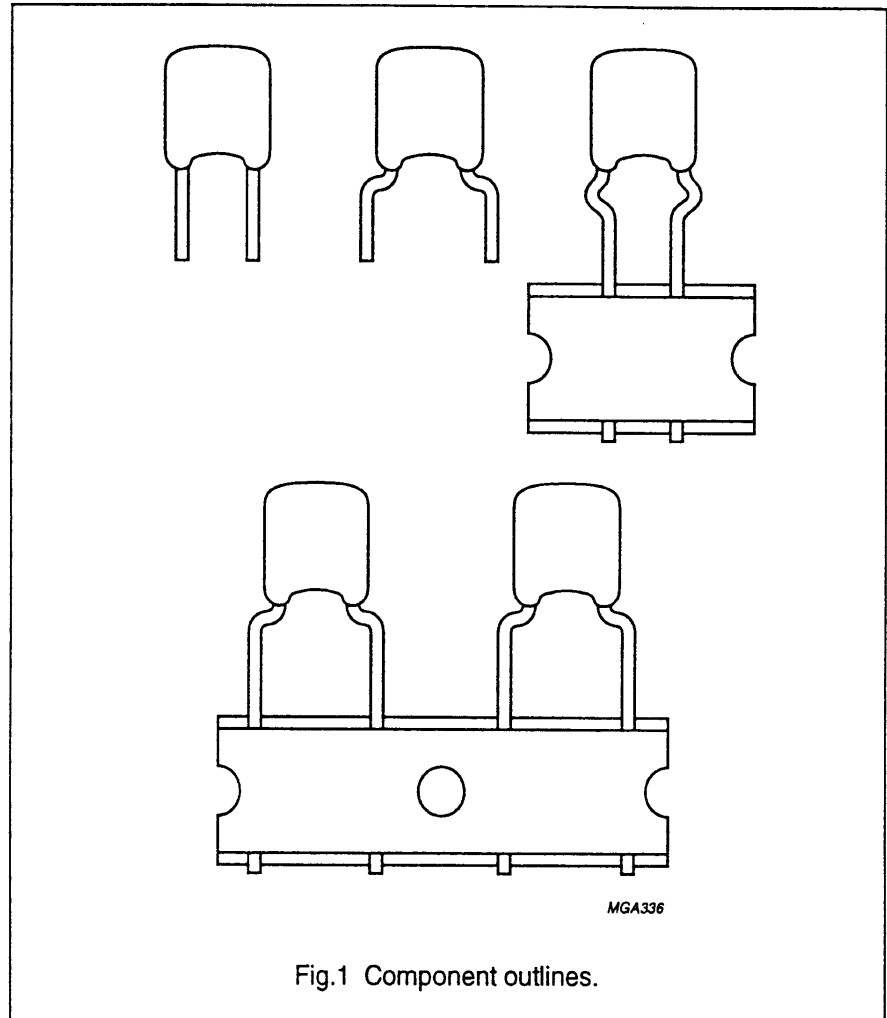


Fig.1 Component outlines.

Metal end terminations are applied and fired to provide electrical connection between the individual layers. Tinned leads are attached using a solder.

Encapsulation consists of a moisture-resistant gold colour conformal epoxy coating that meets the flame requirements of "UL94V-0".

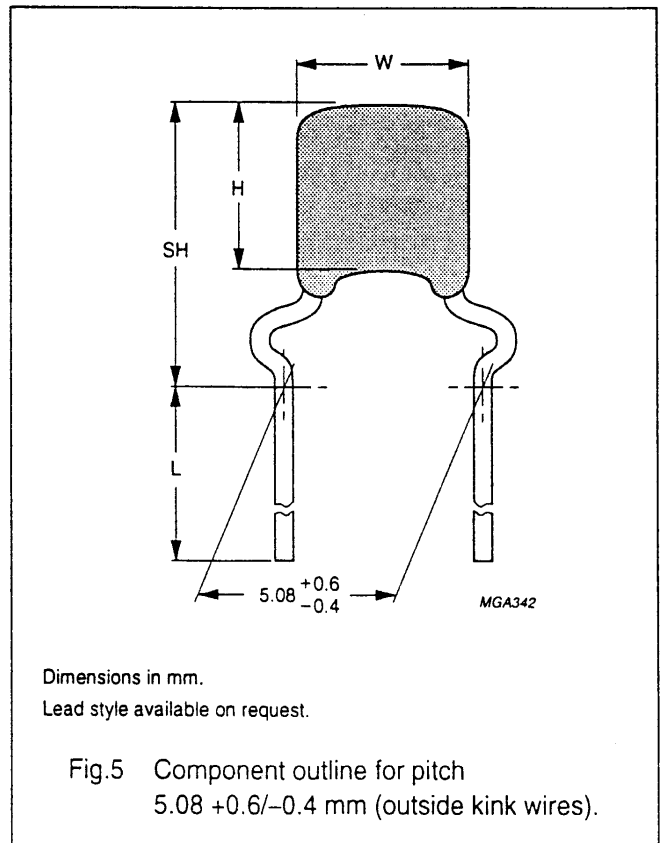
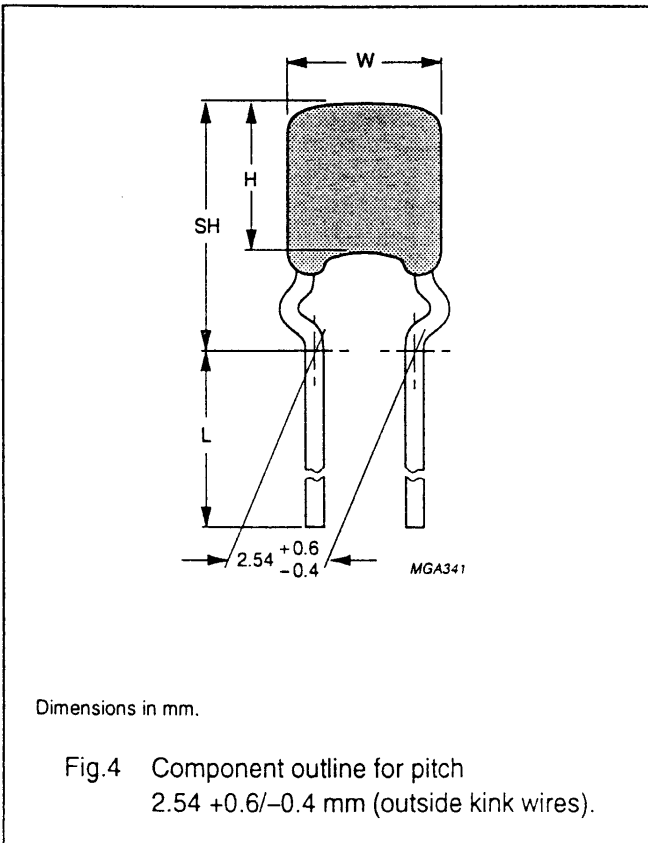
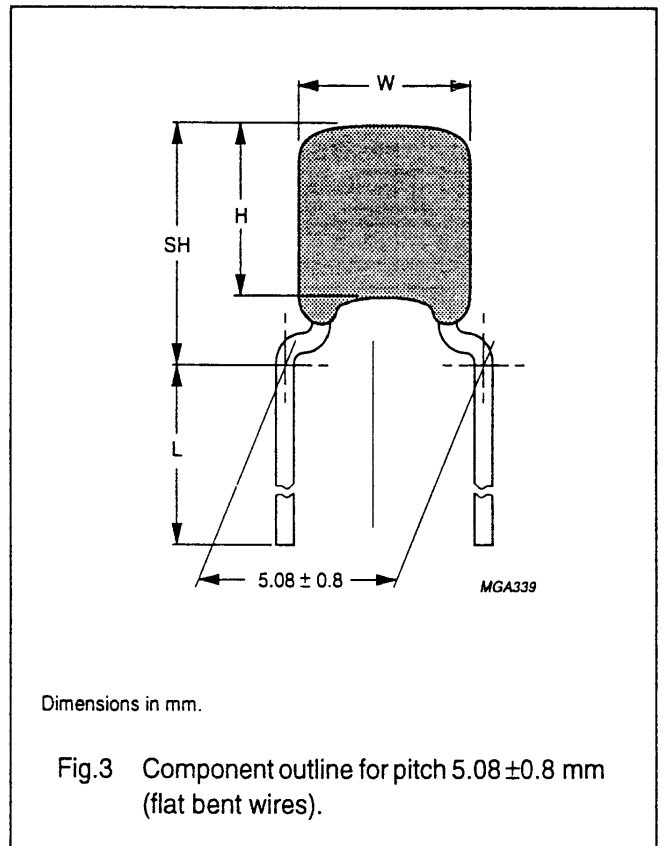
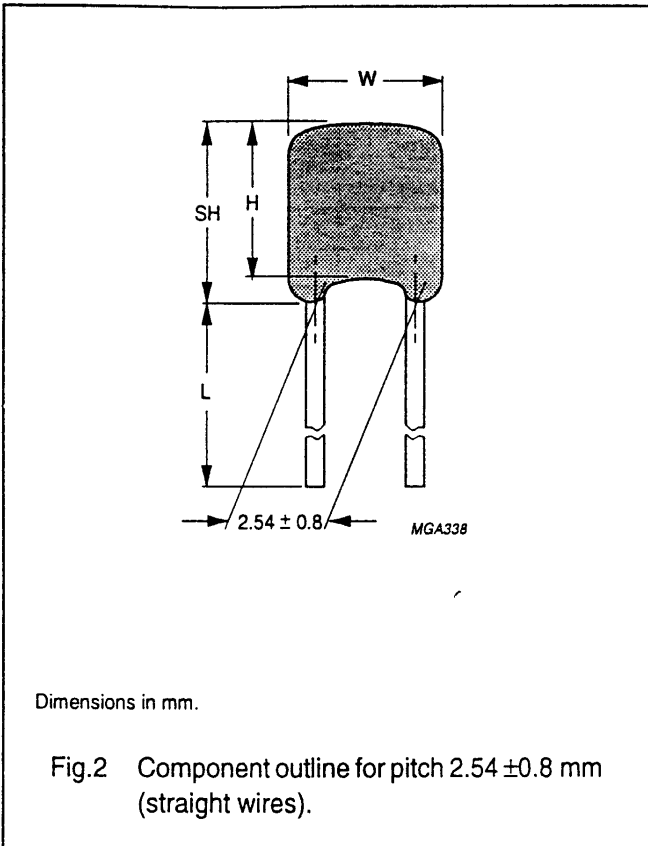
QUICK REFERENCE DATA

| DESCRIPTION | VALUE | | |
|--------------------------|--|---------------------------------------|--|
| | 2222 730 | 2222 731 | 2222 733 |
| Capacitance range | 10 pF to 0.022 μ F (E12 series) | 220 pF to 1.0 μ F (E12 series) | 1000 pF to 1.0 μ F (E12 series) |
| Rated DC voltage | 50 and 100 V | 50 and 100 V | 50 and 100 V |
| Tolerance on capacitance | \pm 5%; \pm 10% | \pm 10%; \pm 20% | \pm 20%; -20%/+80% |
| Temperature coefficient | NP0 (COG) | X7R | Z5U |

Leaded ceramic multilayer capacitors

Mono-kap™ series

MECHANICAL DATA



Leaded ceramic multilayer capacitors

Mono-kap™ series

Physical dimensions.

Table 1 Capacitor dimensions and mass; notes 1 and 2.

| SIZE | W _{max} (mm) | H _{max} (mm) | T _{max} ⁽³⁾ (mm) | MAX. SEATING HEIGHT (SH) (mm) | | | | MASS (g) |
|------|--------------------------|--------------------------|---|-------------------------------|------------------|-----------------|------------------|-------------|
| | | | | Fig.2 | Fig.3 | Fig.4 | Fig.5 | |
| 15 | 3.81 (0.150) | 3.81 (0.150) | 2.54 (0.100) | 5.38 (0.212) | 6.35 (0.250) | 6.99 (0.275) | 6.99 (0.275) | ≈0.15 |
| 20 | 5.08 (0.200) | 5.08 (0.200) | 3.18 (0.125) | 6.65 (0.262) | 7.62 (0.300) | 8.26 (0.325) | 8.26 (0.325) | ≈0.16 |
| 30 | 7.62 (0.300) | 7.62 (0.300) | 3.81 (0.150) | — | 10.16 (0.400) | — | 10.80 (0.425) | ≈0.42 |

Notes

1. Bulk packed products have a standard lead length $L \geq 25.4$ mm.
2. Dimensions between the parentheses are in inches.
3. Thickness defined as T.

Marking⁽¹⁾ (see Fig.6)

Capacitance value (CCCT):

10 pF to 99 pF; actual value in pF
(2 digits only)

100 pF and above; coded
capacitance value (same as used
in P/N).

Tolerance (CCCT):

Standard EIA tolerance.

Material code (M V):

Standard EIA TC code

A = NP0 (COG)

C = X7R

E = Z5U.

Voltage code (M V):

Standard EIA voltage code

1 = 100 V

5 = 50 V.

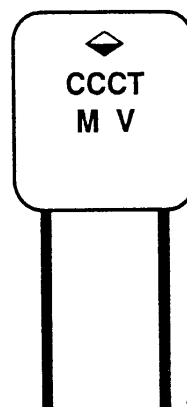


Fig.6 Markings on the body.

(1) Sizes 15 and 20 are marked with capacitance value only.

Leaded ceramic multilayer capacitors

Mono-kap™ series

PACKAGING

For details refer to Chapter "Leaded ceramic multilayer capacitors", Section "General data".

ORDERING INFORMATION

Table 2 Catalogue numbers.

| CAP. TOL. | PITCH ⁽²⁾ P (mm) | LEAD ⁽²⁾ DIA. d (mm) | CATALOGUE NUMBER 2222 73. ⁽¹⁾ | | | | | | | | |
|--------------|-----------------------------------|--|---|-------|------|---------------------|-------|------|------------------------|-------|------|
| | | | BULK PACKED | | | ON TAPE ON REEL | | | ON TAPE IN AMMOPACK | | |
| | | | U _R (DC) | | Fig. | U _R (DC) | | Fig. | U _R (DC) | | Fig. |
| | | | 50 V | 100 V | | 50 V | 100 V | | 50 V | 100 V | |
| ±5% | 2.54 (0.1); note 3 | 0.5 (0.020) | 05... | 37... | 2 | 09... | 41... | 4 | 13... | 45... | 4 |
| ±10% | | | 06... | 38... | 2 | 10... | 42... | 4 | 14... | 46... | 4 |
| ±20% | | | 07... | 39... | 2 | 11... | 43... | 4 | 15... | 47... | 4 |
| -20/+80% | | | 08... | 40... | 2 | 12... | 44... | 4 | 16... | 48... | 4 |
| ±5% | 5.08 (0.2) | 0.5 (0.020) | 17... | 49... | 3 | 21... | 53... | 3 | 25... | 57... | 3 |
| ±10% | | | 18... | 50... | 3 | 22... | 54... | 3 | 26... | 58... | 3 |
| ±20% | | | 19... | 51... | 3 | 23... | 55... | 3 | 27... | 59... | 3 |
| -20/+80% | | | 20... | 52... | 3 | 24... | 56... | 3 | 28... | 60... | 3 |

Notes

1. Catalogue number to be completed by adding the 7th digit for the required dielectric and the last 3 digits for the required series and capacitance (see Tables 3, 4 and 5).
2. Dimensions between the parentheses are in inches.
3. Sizes 15 and 20 only.

Leaded ceramic multilayer capacitors

Mono-kap™ series

Table 3 Range of values for NP0 (COG), 2222 730; see Table 6 for conditions.

| CAPACITANCE VALUE (pF) | SIZE (see Table 1) | | SUFFIX OF CATALOGUE NUMBER (see Table 2) |
|------------------------------|---------------------------|----------------------------|--|
| | $U_R = 50 \text{ V (DC)}$ | $U_R = 100 \text{ V (DC)}$ | |
| 10 to 82 | 15 | 15 | ..109 to ..829 |
| 100 to 820 | 15 | 15 | ..101 to ..821 |
| 1000 | 15 | 20 | ..102 |
| 1200 to 4700 | 20 | 20 | ..122 to ..472 |
| 5600 to 10 000 | 30 | 30 | ..562 to ..103 |
| 12000 to 22000 | 30 | - | ..123 to ..223 |

Leaded ceramic multilayer capacitors

Mono-kap™ series

| CAPACITANCE VALUE (pF) | SIZE (see Table 1) | | SUFFIX OF CATALOGUE NUMBER (see Table 2) |
|------------------------------|---------------------------|----------------------------|--|
| | $U_R = 50 \text{ V (DC)}$ | $U_R = 100 \text{ V (DC)}$ | |
| 330000 | 30 | 30 | ..334 |
| 390000 | 30 | – | ..394 |
| 470000 | 30 | – | ..474 |
| 560000 | 30 | – | ..564 |
| 680000 | 30 | – | ..684 |
| 820000 | 30 | – | ..824 |
| 1000000 | 30 | – | ..105 |

Leaded ceramic multilayer capacitors

Mono-kap™ series

Table 5 Range of values for Z5U, 2222 733; see Table 6 for conditions.

| CAPACITANCE VALUE (pF) | SIZE (see Table 1) | | SUFFIX OF CATALOGUE NUMBER (see Table 2) |
|------------------------------|---------------------------|----------------------------|--|
| | $U_R = 50 \text{ V (DC)}$ | $U_R = 100 \text{ V (DC)}$ | |
| 1000 | 15 | 15 | ..102 |
| 1200 | 15 | 15 | ..122 |
| 1500 | 15 | 15 | ..152 |
| 1800 | 15 | 15 | ..182 |
| 2200 | 15 | 15 | ..222 |
| 2700 | 15 | 15 | ..272 |
| 3300 | 15 | 15 | ..332 |
| 3900 | 15 | 15 | ..392 |
| 4700 | 15 | 15 | ..472 |
| 5600 | 15 | 15 | ..562 |
| 6800 | 15 | 15 | ..682 |
| 8200 | 15 | 15 | ..822 |
| 10000 | 15 | 15 | ..103 |
| 12000 | 15 | 20 | ..123 |
| 15000 | 15 | 20 | ..153 |
| 18000 | 15 | 20 | ..183 |
| 22000 | 15 | 20 | ..223 |
| 27000 | 15 | 20 | ..273 |
| 33000 | 15 | 20 | ..333 |
| 39000 | 15 | 20 | ..393 |
| 47000 | 15 | 20 | ..473 |
| 56000 | 15 | 20 | ..563 |
| 68000 | 15 | 20 | ..683 |
| 82000 | 15 | 20 | ..823 |
| 100000 | 15 | 20 | ..104 |
| 120000 | 20 | 30 | ..124 |
| 150000 | 20 | 30 | ..154 |
| 180000 | 20 | 30 | ..184 |
| 220000 | 20 | 30 | ..224 |
| 270000 | 20 | 30 | ..274 |
| 330000 | 20 | 30 | ..334 |
| 390000 | 30 | 30 | ..394 |
| 470000 | 30 | 30 | ..474 |
| 560000 | 30 | - | ..564 |
| 680000 | 30 | - | ..684 |
| 820000 | 30 | - | ..824 |
| 1000000 | 30 | - | ..105 |

Leaded ceramic multilayer capacitors

Mono-kap™ series

ELECTRICAL CHARACTERISTICS**Table 6** Electrical data for NP0, X7R and Z5U; conditions for Tables 3, 4 and 5.

The capacitors meet the essential requirements of "EIA-198". Unless stated otherwise all electrical values apply at an ambient temperature of 25 ± 3 °C, at barometric pressures of 650 to 800 mm of mercury, and relative humidity not to exceed 75%.

| DESCRIPTION | VALUE |
|--|--|
| Capacitors with temperature coefficient NP0 | |
| Capacitance range: at 1 MHz, 1 V; where $C \leq 1000$ pF at 1 kHz, 1 V; where $C > 1000$ pF | 10 pF to 0.022 μ F 10 pF to 0.022 μ F |
| Tolerance on the capacitance | $\pm 5\%$, $\pm 10\%$ |
| Rated DC voltage | 50 and 100 V |
| DC test voltage; duration 1 minute | 250% of rated voltage |
| Insulation resistance at rated voltage | 100 G Ω or 1000 M $\Omega \times \mu$ F, whichever is less at 25 °C |
| Temperature coefficient of the capacitance | $0 \times 10^{-6}/K$ |
| Tolerance on the temperature coefficient | $\pm 30 \times 10^{-6}/K$ |
| Dissipation factor: at 1 MHz, 1 V; where $C \leq 1000$ pF at 1 kHz, 1 V; where $C > 1000$ pF | $< 15 \times 10^{-4}$ $< 15 \times 10^{-4}$ |
| Operating temperature range | -55 to +125 °C |
| Storage temperature range | -55 to +85 °C |
| Capacitors with temperature coefficient X7R | |
| Capacitance range at 1 kHz, 1 V | 220 pF to 1.0 μ F |
| Tolerance on the capacitance | $\pm 10\%$, $\pm 20\%$ |
| Maximum capacitance variation with respect to capacitance value at 25 °C | $\pm 15\%$ |
| Rated DC voltage | 50 and 100 V |
| DC test voltage; duration 1 minute | 250% of rated voltage |
| Insulation resistance at rated voltage | 100 G Ω or 1000 M $\Omega \times \mu$ F, whichever is less at 25 °C |
| Dissipation factor at 1 kHz, 1 V | $\leq 2.5\%$ |
| Operating temperature range | -55 to +125 °C |
| Storage temperature range | -55 to +85 °C |
| Ageing | typical 1% per time decade |

Leaded ceramic multilayer capacitors

Mono-kap™ series

| DESCRIPTION | VALUE |
|--|------------------------|
| Capacitors with temperature coefficient Z5U | |
| Capacitance range at 1 kHz, 0.5 V | 1000 pF to 1.0 μ F |
| Tolerance on the capacitance | $\pm 20\%$, -20/+80% |

Leaded ceramic multilayer capacitors

Table 1 Mono-kap™ conformal radials, NP0 (COG), 5% and 10% tolerance, 50 V.

| DISTRIBUTION PART NUMBER | 15 DIGIT CODE ⁽¹⁾ | 12NC CODE | PITCH |
|-----------------------------|------------------------------|----------------|-------|
| CN 15 C 100 J | K 100 J 15 COG F VB | 2222 730 05109 | 2.54 |
| CN 15 C 100 K | K 100 K 15 COG F VB | 2222 730 06109 | 2.54 |
| CN 15 C 120 J | K 120 J 15 COG F VB | 2222 730 05129 | 2.54 |
| CN 15 C 120 K | K 120 K 15 COG F VB | 2222 730 06129 | 2.54 |
| CN 15 C 150 J | K 150 J 15 COG F VB | 2222 730 05159 | 2.54 |
| CN 15 C 150 K | K 150 K 15 COG F VB | 2222 730 06159 | 2.54 |
| CN 15 C 180 J | K 180 J 15 COG F VB | 2222 730 05189 | 2.54 |
| CN 15 C 180 K | K 180 K 15 COG F VB | 2222 730 06189 | 2.54 |
| CN 15 C 220 J | K 220 J 15 COG F VB | 2222 730 05229 | 2.54 |
| CN 15 C 220 K | K 220 K 15 COG F VB | 2222 730 06229 | 2.54 |
| CN 15 C 270 J | K 270 J 15 COG F VB | 2222 730 05279 | 2.54 |
| CN 15 C 270 K | K 270 K 15 COG F VB | 2222 730 06279 | 2.54 |
| CN 15 C 330 J | K 330 J 15 COG F VB | 2222 730 05339 | 2.54 |
| CN 15 C 330 K | K 330 K 15 COG F VB | 2222 730 06339 | 2.54 |
| CN 15 C 390 J | K 390 J 15 COG F VB | 2222 730 05399 | 2.54 |
| CN 15 C 390 K | K 390 K 15 COG F VB | 2222 730 06399 | 2.54 |
| CN 15 C 470 J | K 470 J 15 COG F VB | 2222 730 05479 | 2.54 |
| CN 15 C 470 K | K 470 K 15 COG F VB | 2222 730 06479 | 2.54 |
| CN 15 C 560 J | K 560 J 15 COG F VB | 2222 730 05569 | 2.54 |
| CN 15 C 560 K | K 560 K 15 COG F VB | 2222 730 06569 | 2.54 |
| CN 15 C 680 J | K 680 J 15 COG F VB | 2222 730 05689 | 2.54 |
| CN 15 C 680 K | K 680 K 15 COG F VB | 2222 730 06689 | 2.54 |
| CN 15 C 820 J | K 820 J 15 COG F VB | 2222 730 05829 | 2.54 |
| CN 15 C 820 K | K 820 K 15 COG F VB | 2222 730 06829 | 2.54 |
| CN 15 C 101 J | K 101 J 15 COG F VB | 2222 730 05101 | 2.54 |
| CN 15 C 101 K | K 101 K 15 COG F VB | 2222 730 06101 | 2.54 |
| CN 15 C 121 J | K 121 J 15 COG F VB | 2222 730 05121 | 2.54 |
| CN 15 C 121 K | K 121 K 15 COG F VB | 2222 730 06121 | 2.54 |
| CN 15 C 151 J | K 151 J 15 COG F VB | 2222 730 05151 | 2.54 |
| CN 15 C 151 K | K 151 K 15 COG F VB | 2222 730 06151 | 2.54 |
| CN 15 C 181 J | K 181 J 15 COG F VB | 2222 730 05181 | 2.54 |
| CN 15 C 181 K | K 181 K 15 COG F VB | 2222 730 06181 | 2.54 |
| CN 15 C 221 J | K 221 J 15 COG F VB | 2222 730 05221 | 2.54 |
| CN 15 C 221 K | K 221 K 15 COG F VB | 2222 730 06221 | 2.54 |
| CN 15 C 271 J | K 271 J 15 COG F VB | 2222 730 05271 | 2.54 |
| CN 15 C 271 K | K 271 K 15 COG F VB | 2222 730 06271 | 2.54 |
| CN 15 C 331 J | K 331 J 15 COG F VB | 2222 730 05331 | 2.54 |
| CN 15 C 331 K | K 331 K 15 COG F VB | 2222 730 06331 | 2.54 |

Leaded ceramic multilayer capacitors

Cross reference
selection guide

Leaded ceramic multilayer capacitors

| DISTRIBUTION PART NUMBER | 15 DIGIT CODE ⁽¹⁾ | 12NC CODE | PITCH |
|-----------------------------|------------------------------|----------------|-------|
| CN 15 C 100 K DRM | K 100 K 15 COG F TT | 2222 730 22109 | 5.08 |
| CN 15 C 120 J DRM | K 120 J 15 COG F TT | 2222 730 21129 | 5.08 |
| CN 15 C 120 K DRM | K 120 K 15 COG F TT | 2222 730 22129 | 5.08 |
| CN 15 C 150 J DRM | K 150 J 15 COG F TT | 2222 730 21159 | 5.08 |
| CN 15 C 150 K DRM | K 150 K 15 COG F TT | 2222 730 22159 | 5.08 |
| CN 15 C 180 J DRM | K 180 J 15 COG F TT | 2222 730 21189 | 5.08 |
| CN 15 C 180 K DRM | K 180 K 15 COG F TT | 2222 730 22189 | 5.08 |
| CN 15 C 220 J DRM | K 220 J 15 COG F TT | 2222 730 21229 | 5.08 |
| CN 15 C 220 K DRM | K 220 K 15 COG F TT | 2222 730 22229 | 5.08 |
| CN 15 C 270 J DRM | K 270 J 15 COG F TT | 2222 730 21279 | 5.08 |
| CN 15 C 270 K DRM | K 270 K 15 COG F TT | 2222 730 22279 | 5.08 |
| CN 15 C 330 J DRM | K 330 J 15 COG F TT | 2222 730 21339 | 5.08 |
| CN 15 C 330 K DRM | K 330 K 15 COG F TT | 2222 730 22339 | 5.08 |
| CN 15 C 390 J DRM | K 390 J 15 COG F TT | 2222 730 21399 | 5.08 |
| CN 15 C 390 K DRM | K 390 K 15 COG F TT | 2222 730 22399 | 5.08 |
| CN 15 C 470 J DRM | K 470 J 15 COG F TT | 2222 730 21479 | 5.08 |
| CN 15 C 470 K DRM | K 470 K 15 COG F TT | 2222 730 22479 | 5.08 |
| CN 15 C 560 J DRM | K 560 J 15 COG F TT | 2222 730 21569 | 5.08 |
| CN 15 C 560 K DRM | K 560 K 15 COG F TT | 2222 730 22569 | 5.08 |
| CN 15 C 680 J DRM | K 680 J 15 COG F TT | 2222 730 21689 | 5.08 |
| CN 15 C 680 K DRM | K 680 K 15 COG F TT | 2222 730 22689 | 5.08 |
| CN 15 C 820 J DRM | K 820 J 15 COG F TT | 2222 730 21829 | 5.08 |
| CN 15 C 820 K DRM | K 820 K 15 COG F TT | 2222 730 22829 | 5.08 |
| CN 15 C 101 J DRM | K 101 J 15 COG F TT | 2222 730 21101 | 5.08 |
| CN 15 C 101 K DRM | K 101 K 15 COG F TT | 2222 730 22101 | 5.08 |
| CN 15 C 121 J DRM | K 121 J 15 COG F TT | 2222 730 21121 | 5.08 |
| CN 15 C 121 K DRM | K 121 K 15 COG F TT | 2222 730 22121 | 5.08 |
| CN 15 C 151 J DRM | K 151 J 15 COG F TT | 2222 730 21151 | 5.08 |
| CN 15 C 151 K DRM | K 151 K 15 COG F TT | 2222 730 22151 | 5.08 |
| CN 15 C 181 J DRM | K 181 J 15 COG F TT | 2222 730 21181 | 5.08 |
| CN 15 C 181 K DRM | K 181 K 15 COG F TT | 2222 730 22181 | 5.08 |
| CN 15 C 221 J DRM | K 221 J 15 COG F TT | 2222 730 21221 | 5.08 |
| CN 15 C 221 K DRM | K 221 K 15 COG F TT | 2222 730 22221 | 5.08 |
| CN 15 C 271 J DRM | K 271 J 15 COG F TT | 2222 730 21271 | 5.08 |
| CN 15 C 271 K DRM | K 271 K 15 COG F TT | 2222 730 22271 | 5.08 |
| CN 15 C 331 J DRM | K 331 J 15 COG F TT | 2222 730 21331 | 5.08 |
| CN 15 C 331 K DRM | K 331 K 15 COG F TT | 2222 730 22331 | 5.08 |
| CN 15 C 391 J DRM | K 391 J 15 COG F TT | 2222 730 21391 | 5.08 |
| CN 15 C 391 K DRM | K 391 K 15 COG F TT | 2222 730 22391 | 5.08 |
| CN 15 C 471 J DRM | K 471 J 15 COG F TT | 2222 730 21471 | 5.08 |

Leaded ceramic multilayer capacitors

Cross reference
selection guide

| DISTRIBUTION PART NUMBER | 15 DIGIT CODE ⁽¹⁾ | 12NC CODE | PITCH |
|-----------------------------|------------------------------|----------------|-------|
| CN 15 C 471 K DRM | K 471 K 15 COG F TT | 2222 730 22471 | 5.08 |

Leaded ceramic multilayer capacitors

Cross reference
selection guide

Table 2 Mono-kap™ conformal radials, NP0 (COG), 5% and 10% tolerance, 100 V.

| DISTRIBUTION PART NUMBER | 15 DIGIT CODE ⁽¹⁾ | 12NC CODE | PITCH |
|-----------------------------|------------------------------|----------------|-------|
| CN 15 A 100 J | K 100 J 15 COG H VB | 2222 730 37109 | 2.54 |
| CN 15 A 100 K | K 100 K 15 COG H VB | 2222 730 38109 | 2.54 |
| CN 15 A 120 J | K 120 J 15 COG H VB | 2222 730 37129 | 2.54 |
| CN 15 A 120 K | K 120 K 15 COG H VB | 2222 730 38129 | 2.54 |
| CN 15 A 150 J | K 150 J 15 COG H VB | 2222 730 37159 | 2.54 |
| CN 15 A 150 K | K 150 K 15 COG H VB | 2222 730 38159 | 2.54 |
| CN 15 A 180 J | K 180 J 15 COG H VB | 2222 730 37189 | 2.54 |
| CN 15 A 180 K | K 180 K 15 COG H VB | 2222 730 38189 | 2.54 |
| CN 15 A 220 J | K 220 J 15 COG H VB | 2222 730 37229 | 2.54 |
| CN 15 A 220 K | K 220 K 15 COG H VB | 2222 730 38229 | 2.54 |
| CN 15 A 270 J | K 270 J 15 COG H VB | 2222 730 37279 | 2.54 |
| CN 15 A 270 K | K 270 K 15 COG H VB | 2222 730 38279 | 2.54 |
| CN 15 A 330 J | K 330 J 15 COG H VB | 2222 730 37339 | 2.54 |
| CN 15 A 330 K | K 330 K 15 COG H VB | 2222 730 38339 | 2.54 |
| CN 15 A 390 J | K 390 J 15 COG H VB | 2222 730 37399 | 2.54 |
| CN 15 A 390 K | K 390 K 15 COG H VB | 2222 730 38399 | 2.54 |
| CN 15 A 470 J | K 470 J 15 COG H VB | 2222 730 37479 | 2.54 |
| CN 15 A 470 K | K 470 K 15 COG H VB | 2222 730 38479 | 2.54 |
| CN 15 A 560 J | K 560 J 15 COG H VB | 2222 730 37569 | 2.54 |
| CN 15 A 560 K | K 560 K 15 COG H VB | 2222 730 38569 | 2.54 |
| CN 15 A 680 J | K 680 J 15 COG H VB | 2222 730 37689 | 2.54 |
| CN 15 A 680 K | K 680 K 15 COG H VB | 2222 730 38689 | 2.54 |
| CN 15 A 820 J | K 820 J 15 COG H VB | 2222 730 37829 | 2.54 |
| CN 15 A 820 K | K 820 K 15 COG H VB | 2222 730 38829 | 2.54 |
| CN 15 A 101 J | K 101 J 15 COG H VB | 2222 730 37101 | 2.54 |
| CN 15 A 101 K | K 101 K 15 COG H VB | 2222 730 38101 | 2.54 |
| CN 15 A 121 J | K 121 J 15 COG H VB | 2222 730 37121 | 2.54 |
| CN 15 A 121 K | K 121 K 15 COG H VB | 2222 730 38121 | 2.54 |
| CN 15 A 151 J | K 151 J 15 COG H VB | 2222 730 37151 | 2.54 |
| CN 15 A 151 K | K 151 K 15 COG H VB | 2222 730 38151 | 2.54 |
| CN 15 A 181 J | K 181 J 15 COG H VB | 2222 730 37181 | 2.54 |
| CN 15 A 181 K | K 181 K 15 COG H VB | 2222 730 38181 | 2.54 |
| CN 15 A 221 J | K 221 J 15 COG H VB | 2222 730 37221 | 2.54 |

Leaded ceramic multilayer capacitors

| DISTRIBUTION PART NUMBER | 15 DIGIT CODE ⁽¹⁾ | 12NC CODE | PITCH |
|-----------------------------|------------------------------|----------------|-------|
| CN 15 A 391 K | K 391 K 15 COG H VB | 2222 730 38391 | 2.54 |
| CN 20 A 471 J | K 471 J 15 COG H VB | 2222 730 37471 | 2.54 |
| CN 20 A 471 K | K 471 K 15 COG H VB | 2222 730 38471 | 2.54 |
| CN 20 A 561 J | K 561 J 15 COG H VB | 2222 730 37561 | 2.54 |
| CN 20 A 561 K | K 561 K 15 COG H VB | 2222 730 38561 | 2.54 |
| CN 20 A 681 J | K 681 J 15 COG H VB | 2222 730 37681 | 2.54 |
| CN 20 A 681 K | K 681 K 15 COG H VB | 2222 730 38681 | 2.54 |
| CN 20 A 821 J | K 821 J 15 COG H VB | 2222 730 37821 | 2.54 |
| CN 20 A 821 K | K 821 K 15 COG H VB | 2222 730 38821 | 2.54 |
| CN 20 A 102 J | K 102 J 20 COG H VB | 2222 730 37102 | 2.54 |
| CN 20 A 102 K | K 102 K 20 COG H VB | 2222 730 38102 | 2.54 |
| CN 20 A 122 J | K 122 J 20 COG H VB | 2222 730 37122 | 2.54 |
| CN 20 A 152 J | K 152 J 20 COG H VB | 2222 730 37152 | 2.54 |
| CN 20 A 152 K | K 152 K 20 COG H VB | 2222 730 38152 | 2.54 |
| CN 30 A 182 J | K 182 J 20 COG H VC | 2222 730 49182 | 5.08 |
| CN 30 A 182 K | K 182 K 20 COG H VC | 2222 730 50182 | 5.08 |
| CN 30 A 222 J | K 222 J 20 COG H VC | 2222 730 49222 | 5.08 |
| CN 30 A 222 K | K 222 K 20 COG H VC | 2222 730 50222 | 5.08 |
| CN 30 A 272 J | K 272 J 20 COG H VC | 2222 730 49272 | 5.08 |
| CN 30 A 272 K | K 272 K 20 COG H VC | 2222 730 50272 | 5.08 |
| CN 30 A 332 J | K 332 J 20 COG H VC | 2222 730 49332 | 5.08 |
| CN 30 A 332 K | K 332 K 20 COG H VC | 2222 730 50332 | 5.08 |
| CN 30 A 392 J | K 392 J 20 COG H VC | 2222 730 49392 | 5.08 |
| CN 30 A 472 J | K 472 J 20 COG H VC | 2222 730 49472 | 5.08 |
| CN 30 A 472 K | K 472 K 20 COG H VC | 2222 730 50472 | 5.08 |
| CN 30 A 682 J | K 682 J 30 COG H VC | 2222 730 49682 | 5.08 |
| CN 30 A 103 J | K 103 J 30 COG H VC | 2222 730 49103 | 5.08 |
| CN 30 A 103 K | K 103 K 30 COG H VC | 2222 730 50103 | 5.08 |
| CN 15 A 100 J DRM | K 100 J 15 COG H TT | 2222 730 53100 | 5.08 |
| CN 15 A 100 K DRM | K 100 K 15 COG H TT | 2222 730 54100 | 5.08 |
| CN 15 A 120 J DRM | K 120 J 15 COG H TT | 2222 730 53120 | 5.08 |
| CN 15 A 120 K DRM | K 120 K 15 COG H TT | 2222 730 54120 | 5.08 |
| CN 15 A 150 J DRM | K 150 J 15 COG H TT | 2222 730 53150 | 5.08 |
| CN 15 A 150 K DRM | K 150 K 15 COG H TT | 2222 730 54150 | 5.08 |
| CN 15 A 180 J DRM | K 180 J 15 COG H TT | 2222 730 53180 | 5.08 |
| CN 15 A 180 K DRM | K 180 K 15 COG H TT | 2222 730 54180 | 5.08 |
| CN 15 A 220 J DRM | K 220 J 15 COG H TT | 2222 730 53220 | 5.08 |
| CN 15 A 220 K DRM | K 220 K 15 COG H TT | 2222 730 54220 | 5.08 |
| CN 15 A 270 J DRM | K 270 J 15 COG H TT | 2222 730 53270 | 5.08 |
| CN 15 A 270 K DRM | K 270 K 15 COG H TT | 2222 730 54270 | 5.08 |

Leaded ceramic multilayer capacitors

Cross reference
selection guide

| DISTRIBUTION PART NUMBER | 15 DIGIT CODE ⁽¹⁾ | 12NC CODE | PITCH |
|-----------------------------|------------------------------|----------------|-------|
| CN 15 A 330 J DRM | K 330 J 15 COG H TT | 2222 730 53339 | 5.08 |
| CN 15 A 330 K DRM | K 330 K 15 COG H TT | 2222 730 54339 | 5.08 |
| CN 15 A 390 J DRM | K 390 J 15 COG H TT | 2222 730 53399 | 5.08 |
| CN 15 A 390 K DRM | K 390 K 15 COG H TT | 2222 730 54399 | 5.08 |
| CN 15 A 470 J DRM | K 470 J 15 COG H TT | 2222 730 53479 | 5.08 |
| CN 15 A 470 K DRM | K 470 K 15 COG H TT | 2222 730 54479 | 5.08 |
| CN 15 A 560 J DRM | K 560 J 15 COG H TT | 2222 730 53569 | 5.08 |
| CN 15 A 560 K DRM | K 560 K 15 COG H TT | 2222 730 54569 | 5.08 |
| CN 15 A 680 J DRM | K 680 J 15 COG H TT | 2222 730 53689 | 5.08 |
| CN 15 A 680 K DRM | K 680 K 15 COG H TT | 2222 730 54689 | 5.08 |
| CN 15 A 820 J DRM | K 820 J 15 COG H TT | 2222 730 53829 | 5.08 |
| CN 15 A 820 K DRM | K 820 K 15 COG H TT | 2222 730 54829 | 5.08 |
| CN 15 A 101 J DRM | K 101 J 15 COG H TT | 2222 730 53101 | 5.08 |
| CN 15 A 101 K DRM | K 101 K 15 COG H TT | 2222 730 54101 | 5.08 |
| CN 15 A 121 J DRM | K 121 J 15 COG H TT | 2222 730 53121 | 5.08 |
| CN 15 A 121 K DRM | K 121 K 15 COG H TT | 2222 730 54121 | 5.08 |
| CN 15 A 151 J DRM | K 151 J 15 COG H TT | 2222 730 53151 | 5.08 |
| CN 15 A 151 K DRM | K 151 K 15 COG H TT | 2222 730 54151 | 5.08 |
| CN 15 A 181 J DRM | K 181 J 15 COG H TT | 2222 730 53181 | 5.08 |
| CN 15 A 181 K DRM | K 181 K 15 COG H TT | 2222 730 54181 | 5.08 |
| CN 15 A 221 J DRM | K 221 J 15 COG H TT | 2222 730 53221 | 5.08 |
| CN 15 A 221 K DRM | K 221 K 15 COG H TT | 2222 730 54221 | 5.08 |
| CN 15 A 271 J DRM | K 271 J 15 COG H TT | 2222 730 53271 | 5.08 |
| CN 15 A 271 K DRM | K 271 K 15 COG H TT | 2222 730 54271 | 5.08 |
| CN 15 A 331 J DRM | K 331 J 15 COG H TT | 2222 730 53331 | 5.08 |
| CN 15 A 331 K DRM | K 331 K 15 COG H TT | 2222 730 54331 | 5.08 |
| CN 15 A 391 J DRM | K 391 J 15 COG H TT | 2222 730 53391 | 5.08 |
| CN 15 A 391 K DRM | K 391 K 15 COG H TT | 2222 730 54391 | 5.08 |
| CN 20 A 471 J DRM | K 471 J 15 COG H TT | 2222 730 53471 | 5.08 |
| CN 20 A 471 K DRM | K 471 K 15 COG H TT | 2222 730 54471 | 5.08 |
| CN 20 A 561 J DRM | K 561 J 15 COG H TT | 2222 730 53561 | 5.08 |
| CN 20 A 561 K DRM | K 561 K 15 COG H TT | 2222 730 54561 | 5.08 |
| CN 20 A 681 J DRM | K 681 J 15 COG H TT | 2222 730 53681 | 5.08 |
| CN 20 A 681 K DRM | K 681 K 15 COG H TT | 2222 730 54681 | 5.08 |
| CN 20 A 821 J DRM | K 821 J 15 COG H TT | 2222 730 53821 | 5.08 |
| CN 20 A 821 K DRM | K 821 K 15 COG H TT | 2222 730 54821 | 5.08 |
| CN 20 A 102 J DRM | K 102 J 20 COG H TT | 2222 730 53102 | 5.08 |
| CN 20 A 102 K DRM | K 102 K 20 COG H TT | 2222 730 54102 | 5.08 |
| CN 20 A 122 J DRM | K 122 J 20 COG H TT | 2222 730 53122 | 5.08 |
| CN 20 A 152 J DRM | K 152 J 20 COG H TT | 2222 730 53152 | 5.08 |

Leaded ceramic multilayer capacitors

Cross reference
selection guide

| DISTRIBUTION PART NUMBER | 15 DIGIT CODE ⁽¹⁾ | 12NC CODE | PITCH |
|--------------------------|------------------------------|----------------|-------|
| CN 20 A 152 K DRM | K 152 K 20 COG H TT | 2222 730 54152 | 5.08 |
| CN 30 A 182 J DRM | K 182 J 20 COG H TT | 2222 730 53182 | 5.08 |
| CN 30 A 182 K DRM | K 182 K 20 COG H TT | 2222 730 54182 | 5.08 |
| CN 30 A 222 J DRM | K 222 J 20 COG H TT | 2222 730 53222 | 5.08 |
| CN 30 A 222 K DRM | K 222 K 20 COG H TT | 2222 730 54222 | 5.08 |
| CN 30 A 272 J DRM | K 272 J 20 COG H TT | 2222 730 53272 | 5.08 |
| CN 30 A 272 K DRM | K 272 K 20 COG H TT | 2222 730 54272 | 5.08 |
| CN 30 A 332 J DRM | K 332 J 20 COG H TT | 2222 730 53332 | 5.08 |
| CN 30 A 332 K DRM | K 332 K 20 COG H TT | 2222 730 54332 | 5.08 |
| CN 30 A 392 J DRM | K 392 J 30 COG H TT | 2222 730 53392 | 5.08 |
| CN 30 A 472 J DRM | K 472 J 30 COG H TT | 2222 730 53472 | 5.08 |
| CN 30 A 472 K DRM | K 472 K 30 COG H TT | 2222 730 54472 | 5.08 |
| CN 30 A 682 J DRM | K 682 J 30 COG H TT | 2222 730 53682 | 5.08 |
| CN 30 A 103 J DRM | K 103 J 30 COG H TT | 2222 730 53103 | 5.08 |
| CN 30 A 103 K DRM | K 103 K 30 COG H TT | 2222 730 54103 | 5.08 |

Note to Table 2

1. Only the first 13 digits of the 15-digit code are significant for cross reference purposes.

Table 3 Mono-kap™ conformal radials X7R, 10% and 20% tolerance, 50 V.

| DISTRIBUTION PART NUMBER | 15 DIGIT CODE ⁽¹⁾ | 12NC CODE | PITCH |
|--------------------------|------------------------------|----------------|-------|
| CW 15 C 151 K | K 151 K 15 X7R F VB | 2222 731 06151 | 2.54 |
| CW 15 C 181 K | K 181 K 15 X7R F VB | 2222 731 06181 | 2.54 |
| CW 15 C 181 M | K 181 M 15 X7R F VB | 2222 731 07181 | 2.54 |
| CW 15 C 221 K | K 221 K 15 X7R F VB | 2222 731 06221 | 2.54 |
| CW 15 C 271 K | K 271 K 15 X7R F VB | 2222 731 06271 | 2.54 |
| CW 15 C 271 M | K 271 M 15 X7R F VB | 2222 731 07271 | 2.54 |
| CW 15 C 331 K | K 331 K 15 X7R F VB | 2222 731 06331 | 2.54 |
| CW 15 C 331 M | K 331 M 15 X7R F VB | 2222 731 07331 | 2.54 |
| CW 15 C 391 K | K 391 K 15 X7R F VB | 2222 731 06391 | 2.54 |
| CW 15 C 391 M | K 391 M 15 X7R F VB | 2222 731 07391 | 2.54 |
| CW 15 C 471 K | K 471 K 15 X7R F VB | 2222 731 06471 | 2.54 |
| CW 15 C 471 M | K 471 M 15 X7R F VB | 2222 731 07471 | 2.54 |
| CW 15 C 561 K | K 561 K 15 X7R F VB | 2222 731 06561 | 2.54 |
| CW 15 C 681 K | K 681 K 15 X7R F VB | 2222 731 06681 | 2.54 |
| CW 15 C 681 M | K 681 M 15 X7R F VB | 2222 731 07681 | 2.54 |
| CW 15 C 821 K | K 821 K 15 X7R F VB | 2222 731 06821 | 2.54 |
| CW 15 C 821 M | K 821 M 15 X7R F VB | 2222 731 07821 | 2.54 |
| CW 15 C 102 K | K 102 K 15 X7R F VB | 2222 731 06102 | 2.54 |
| CW 15 C 102 M | K 102 M 15 X7R F VB | 2222 731 07102 | 2.54 |

Leaded ceramic multilayer capacitors

Cross reference
selection guide

| DISTRIBUTION PART NUMBER | 15 DIGIT CODE ⁽¹⁾ | 12NC CODE | PITCH |
|-----------------------------|------------------------------|----------------|-------|
| CW 15 C 122 K | K 122 K 15 X7R F VB | 2222 731 06122 | 2.54 |
| CW 15 C 152 K | K 152 K 15 X7R F VB | 2222 731 06152 | 2.54 |
| CW 15 C 182 K | K 182 K 15 X7R F VB | 2222 731 06182 | 2.54 |
| CW 15 C 222 K | K 222 K 15 X7R F VB | 2222 731 06222 | 2.54 |
| CW 15 C 222 M | K 222 M 15 X7R F VB | 2222 731 07222 | 2.54 |
| CW 15 C 272 K | K 272 K 15 X7R F VB | 2222 731 06272 | 2.54 |
| CW 15 C 272 M | K 272 M 15 X7R F VB | 2222 731 07272 | 2.54 |
| CW 15 C 332 K | K 332 K 15 X7R F VB | 2222 731 06332 | 2.54 |
| CW 15 C 332 M | K 332 M 15 X7R F VB | 2222 731 07332 | 2.54 |
| CW 15 C 392 K | K 392 K 15 X7R F VB | 2222 731 06392 | 2.54 |
| CW 15 C 472 K | K 472 K 15 X7R F VB | 2222 731 06472 | 2.54 |
| CW 15 C 472 M | K 472 M 15 X7R F VB | 2222 731 07472 | 2.54 |
| CW 15 C 562 K | K 562 K 15 X7R F VB | 2222 731 06562 | 2.54 |
| CW 15 C 562 M | K 562 M 15 X7R F VB | 2222 731 07562 | 2.54 |
| CW 15 C 682 K | K 682 K 15 X7R F VB | 2222 731 06682 | 2.54 |
| CW 15 C 682 M | K 682 M 15 X7R F VB | 2222 731 07682 | 2.54 |
| CW 15 C 822 K | K 822 K 15 X7R F VB | 2222 731 06822 | 2.54 |
| CW 15 C 822 M | K 822 M 15 X7R F VB | 2222 731 07822 | 2.54 |
| CW 15 C 103 K | K 103 K 15 X7R F VB | 2222 731 06103 | 2.54 |
| CW 15 C 103 M | K 103 M 15 X7R F VB | 2222 731 07103 | 2.54 |
| CW 15 C 153 K | K 153 K 15 X7R F VB | 2222 731 06153 | 2.54 |
| CW 15 C 153 M | K 153 M 15 X7R F VB | 2222 731 07153 | 2.54 |
| CW 20 C 183 K | K 183 K 15 X7R F VB | 2222 731 06183 | 2.54 |
| CW 20 C 183 M | K 183 M 15 X7R F VB | 2222 731 07183 | 2.54 |
| CW 20 C 223 K | K 223 K 15 X7R F VB | 2222 731 06223 | 2.54 |

Leaded ceramic multilayer capacitors

| DISTRIBUTION PART NUMBER | 15 DIGIT CODE ⁽¹⁾ | 12NC CODE | PITCH |
|-----------------------------|------------------------------|----------------|-------|
| CW 30 C 124 K | K 124 K 20 X7R F VC | 2222 731 18124 | 5.08 |
| CW 30 C 124 M | K 124 M 20 X7R F VC | 2222 731 19124 | 5.08 |
| CW 30 C 154 K | K 154 K 20 X7R F VC | 2222 731 18154 | 5.08 |
| CW 30 C 154 M | K 154 M 20 X7R F VC | 2222 731 19154 | 5.08 |
| CW 30 C 184 K | K 184 K 20 X7R F VC | 2222 731 18184 | 5.08 |
| CW 30 C 184 M | K 184 M 20 X7R F VC | 2222 731 19184 | 5.08 |
| CW 30 C 224 K | K 224 K 20 X7R F VC | 2222 731 18224 | 5.08 |
| CW 30 C 224 M | K 224 M 20 X7R F VC | 2222 731 19224 | 5.08 |
| CW 30 C 274 K | K 274 K 30 X7R F VC | 2222 731 18274 | 5.08 |
| CW 30 C 274 M | K 274 M 30 X7R F VC | 2222 731 19274 | 5.08 |
| CW 30 C 334 K | K 334 K 30 X7R F VC | 2222 731 18334 | 5.08 |
| CW 30 C 334 M | K 334 M 30 X7R F VC | 2222 731 19334 | 5.08 |
| CW 30 C 394 K | K 394 K 30 X7R F VC | 2222 731 18394 | 5.08 |
| CW 30 C 474 K | K 474 K 30 X7R F VC | 2222 731 18474 | 5.08 |
| CW 30 C 474 M | K 474 M 30 X7R F VC | 2222 731 19474 | 5.08 |
| CW 40 C 564 M | K 564 M 30 X7R F VC | 2222 731 19564 | 5.08 |
| CW 40 C 684 K | K 684 K 30 X7R F VC | 2222 731 18684 | 5.08 |
| CW 40 C 824 M | K 824 M 30 X7R F VC | 2222 731 19824 | 5.08 |
| CW 40 C 105 K | K 105 K 30 X7R F VC | 2222 731 18105 | 5.08 |
| CW 40 C 105 M | K 105 M 30 X7R F VC | 2222 731 19105 | 5.08 |
| CW 15 C 151 K DRM | K 151 K 15 X7R F TT | 2222 731 22151 | 5.08 |
| CW 15 C 181 K DRM | K 181 K 15 X7R F TT | 2222 731 22181 | 5.08 |
| CW 15 C 181 M DRM | K 181 M 15 X7R F TT | 2222 731 23181 | 5.08 |
| CW 15 C 221 K DRM | K 221 K 15 X7R F TT | 2222 731 22221 | 5.08 |
| CW 15 C 271 K DRM | K 271 K 15 X7R F TT | 2222 731 22271 | 5.08 |
| CW 15 C 271 M DRM | K 271 M 15 X7R F TT | 2222 731 23271 | 5.08 |
| CW 15 C 331 K DRM | K 331 K 15 X7R F TT | 2222 731 22331 | 5.08 |
| CW 15 C 331 M DRM | K 331 M 15 X7R F TT | 2222 731 23331 | 5.08 |
| CW 15 C 391 K DRM | K 391 K 15 X7R F TT | 2222 731 22391 | 5.08 |
| CW 15 C 391 M DRM | K 391 M 15 X7R F TT | 2222 731 23391 | 5.08 |
| CW 15 C 471 K DRM | K 471 K 15 X7R F TT | 2222 731 22471 | 5.08 |
| CW 15 C 471 M DRM | K 471 M 15 X7R F TT | 2222 731 23471 | 5.08 |
| CW 15 C 561 K DRM | K 561 K 15 X7R F TT | 2222 731 22561 | 5.08 |
| CW 15 C 681 K DRM | K 681 K 15 X7R F TT | 2222 731 22681 | 5.08 |
| CW 15 C 681 M DRM | K 681 M 15 X7R F TT | 2222 731 23681 | 5.08 |
| CW 15 C 821 K DRM | K 821 K 15 X7R F TT | 2222 731 22821 | 5.08 |
| CW 15 C 821 M DRM | K 821 M 15 X7R F TT | 2222 731 23821 | 5.08 |
| CW 15 C 102 K DRM | K 102 K 15 X7R F TT | 2222 731 22102 | 5.08 |
| CW 15 C 102 M DRM | K 102 M 15 X7R F TT | 2222 731 23102 | 5.08 |
| CW 15 C 122 K DRM | K 122 K 15 X7R F TT | 2222 731 22122 | 5.08 |

Leaded ceramic multilayer capacitors

Cross reference selection guide

| DISTRIBUTION PART NUMBER | 15 DIGIT CODE | 12NC CODE | PITCH |
|--------------------------|---------------------|----------------|-------|
| CW 15C 152 K DRM | K 152 K 15 X7R F TT | 2222 731 22152 | 5.08 |
| CW 15C 182 K DRM | K 182 K 15 X7R F TT | 2222 731 22182 | 5.08 |
| CW 15C 222 K DRM | K 222 K 15 X7R F TT | 2222 731 22222 | 5.08 |
| CW 15C 222 M DRM | K 222 M 15 X7R F TT | 2222 731 23222 | 5.08 |
| CW 15C 272 K DRM | K 272 K 15 X7R F TT | 2222 731 22272 | 5.08 |
| CW 15C 272 M DRM | K 272 M 15 X7R F TT | 2222 731 23272 | 5.08 |
| CW 15C 332 K DRM | K 332 K 15 X7R F TT | 2222 731 22332 | 5.08 |
| CW 15C 332 M DRM | K 332 M 15 X7R F TT | 2222 731 23332 | 5.08 |
| CW 15C 392 K DRM | K 392 K 15 X7R F TT | 2222 731 22392 | 5.08 |
| CW 15C 472 K DRM | K 472 K 15 X7R F TT | 2222 731 22472 | 5.08 |
| CW 15C 472 M DRM | K 472 M 15 X7R F TT | 2222 731 23472 | 5.08 |
| CW 15C 562 K DRM | K 562 K 15 X7R F TT | 2222 731 22562 | 5.08 |
| CW 15C 562 M DRM | K 562 M 15 X7R F TT | 2222 731 23562 | 5.08 |
| CW 15C 682 K DRM | K 682 K 15 X7R F TT | 2222 731 22682 | 5.08 |
| CW 15C 682 M DRM | K 682 M 15 X7R F TT | 2222 731 23682 | 5.08 |
| CW 15C 822 K DRM | K 822 K 15 X7R F TT | 2222 731 22822 | 5.08 |
| CW 15C 822 M DRM | K 822 M 15 X7R F TT | 2222 731 23822 | 5.08 |
| CW 15C 103 K DRM | K 103 K 15 X7R F TT | 2222 731 22103 | 5.08 |
| CW 15C 103 M DRM | K 103 M 15 X7R F TT | 2222 731 23103 | 5.08 |
| CW 15C 153 K DRM | K 153 K 15 X7R F TT | 2222 731 22153 | 5.08 |
| CW 15C 153 M DRM | K 153 M 15 X7R F TT | 2222 731 23153 | 5.08 |
| CW 20C 183 K DRM | K 183 K 15 X7R F TT | 2222 731 22183 | 5.08 |
| CW 20C 183 M DRM | K 183 M 15 X7R F TT | 2222 731 23183 | 5.08 |
| CW 20C 223 K DRM | K 223 K 15 X7R F TT | 2222 731 22223 | 5.08 |
| CW 20C 223 M DRM | K 223 M 15 X7R F TT | 2222 731 23223 | 5.08 |
| CW 20C 273 K DRM | K 273 K 15 X7R F TT | 2222 731 22273 | 5.08 |
| CW 20C 273 M DRM | K 273 M 15 X7R F TT | 2222 731 23273 | 5.08 |
| CW 20C 333 K DRM | K 333 K 15 X7R F TT | 2222 731 22333 | 5.08 |
| CW 20C 333 M DRM | K 333 M 15 X7R F TT | 2222 731 23333 | 5.08 |
| CW 20C 393 K DRM | K 393 K 20 X7R F TT | 2222 731 22393 | 5.08 |
| CW 20C 473 K DRM | K 473 K 20 X7R F TT | 2222 731 22473 | 5.08 |
| CW 20C 473 M DRM | K 473 M 20 X7R F TT | 2222 731 23473 | 5.08 |
| CW 20C 563 K DRM | K 563 K 20 X7R F TT | 2222 731 22563 | 5.08 |
| CW 20C 563 M DRM | K 563 M 20 X7R F TT | 2222 731 23563 | 5.08 |
| CW 20C 683 K DRM | K 683 K 20 X7R F TT | 2222 731 22683 | 5.08 |
| CW 20C 683 M DRM | K 683 M 20 X7R F TT | 2222 731 23683 | 5.08 |
| CW 20C 823 K DRM | K 823 K 20 X7R F TT | 2222 731 22823 | 5.08 |
| CW 20C 104 K DRM | K 104 K 20 X7R F TT | 2222 731 22104 | 5.08 |
| CW 20C 104 M DRM | K 104 M 20 X7R F TT | 2222 731 23104 | 5.08 |
| CW 30C 124 K DRM | K 124 K 20 X7R F TT | 2222 731 22124 | 5.08 |

Leaded ceramic multilayer capacitors

Cross reference selection guide

| DISTRIBUTION PART NUMBER | 15 DIGIT CODE(1) | 12NC CODE | PITCH |
|--------------------------|---------------------|----------------|-------|
| CW 15 A 821 K | K 821 K 15 X7R H VB | 2222 731 38821 | 2.54 |
| CW 15 A 102 K | K 102 K 15 X7R H VB | 2222 731 38102 | 2.54 |
| CW 15 A 102 M | K 102 M 15 X7R H VB | 2222 731 39102 | 2.54 |
| CW 15 A 122 K | K 122 K 15 X7R H VB | 2222 731 38122 | 2.54 |
| CW 15 A 122 M | K 122 M 15 X7R H VB | 2222 731 39122 | 2.54 |
| CW 15 A 152 K | K 152 K 15 X7R H VB | 2222 731 38152 | 2.54 |
| CW 15 A 182 K | K 182 K 15 X7R H VB | 2222 731 38182 | 2.54 |
| CW 15 A 222 K | K 222 K 15 X7R H VB | 2222 731 38222 | 2.54 |
| CW 15 A 222 M | K 222 M 15 X7R H VB | 2222 731 39222 | 2.54 |
| CW 15 A 272 K | K 272 K 15 X7R H VB | 2222 731 38272 | 2.54 |
| CW 15 A 332 K | K 332 K 15 X7R H VB | 2222 731 38332 | 2.54 |
| CW 15 A 332 M | K 332 M 15 X7R H VB | 2222 731 39332 | 2.54 |
| CW 15 A 392 K | K 392 K 15 X7R H VB | 2222 731 38392 | 2.54 |
| CW 15 A 472 K | K 472 K 15 X7R H VB | 2222 731 38472 | 2.54 |
| CW 15 A 472 M | K 472 M 15 X7R H VB | 2222 731 39472 | 2.54 |
| CW 15 A 562 K | K 562 K 15 X7R H VB | 2222 731 38562 | 2.54 |
| CW 15 A 682 K | K 682 K 15 X7R H VB | 2222 731 38682 | 2.54 |
| CW 15 A 682 M | K 682 M 15 X7R H VB | 2222 731 39682 | 2.54 |
| CW 15 A 822 K | K 822 K 15 X7R H VB | 2222 731 38822 | 2.54 |
| CW 15 A 103 K | K 103 K 15 X7R H VB | 2222 731 38103 | 2.54 |
| CW 15 A 103 M | K 103 M 15 X7R H VB | 2222 731 39103 | 2.54 |
| CW 15 A 123 K | K 123 K 15 X7R H VB | 2222 731 38123 | 2.54 |
| CW 20 A 153 K | K 153 K 20 X7R H VB | 2222 731 38153 | 2.54 |
| CW 20 A 153 M | K 153 M 20 X7R H VB | 2222 731 39153 | 2.54 |
| CW 20 A 183 K | K 183 K 20 X7R H VB | 2222 731 38183 | 2.54 |
| CW 20 A 223 K | K 223 K 20 X7R H VB | 2222 731 38223 | 2.54 |
| CW 20 A 223 M | K 223 M 20 X7R H VB | 2222 731 39223 | 2.54 |
| CW 20 A 273 K | K 273 K 20 X7R H VB | 2222 731 38273 | 2.54 |
| CW 20 A 273 M | K 273 M 20 X7R H VB | 2222 731 39273 | 2.54 |
| CW 20 A 333 K | K 333 K 20 X7R H VB | 2222 731 38333 | 2.54 |
| CW 20 A 333 M | K 333 M 20 X7R H VB | 2222 731 39333 | 2.54 |
| CW 20 A 393 M | K 393 M 20 X7R H VB | 2222 731 39393 | 2.54 |
| CW 20 A 473 K | K 473 K 20 X7R H VB | 2222 731 38473 | 2.54 |
| CW 20 A 473 M | K 473 M 20 X7R H VB | 2222 731 39473 | 2.54 |
| CW 20 A 563 K | K 563 K 20 X7R H VB | 2222 731 38563 | 2.54 |
| CW 20 A 683 K | K 683 K 20 X7R H VB | 2222 731 38683 | 2.54 |
| CW 20 A 683 M | K 683 M 20 X7R H VB | 2222 731 39683 | 2.54 |
| CW 20 A 823 M | K 823 M 20 X7R H VB | 2222 731 39823 | 2.54 |
| CW 20 A 104 K | K 104 K 20 X7R H VB | 2222 731 38104 | 2.54 |
| CW 20 A 104 M | K 104 M 20 X7R H VB | 2222 731 39104 | 2.54 |

Leaded ceramic multilayer capacitors

| DISTRIBUTION PART NUMBER | 15 DIGIT CODE (1990) | 12NC CODE | PITCH |
|-----------------------------|----------------------|----------------|-------|
| CW 30 A 124 K | K 124 K 30 X7R H VC | 2222 731 50124 | 5.08 |
| CW 30 A 124 M | K 124 M 30 X7R H VC | 2222 731 51124 | 5.08 |
| CW 30 A 224 K | K 224 K 30 X7R H VC | 2222 731 50224 | 5.08 |
| CW 30 A 224 M | K 224 M 30 X7R H VC | 2222 731 51224 | 5.08 |
| CW 30 A 334 K | K 334 K 30 X7R H VC | 2222 731 50334 | 5.08 |
| CW 15 A 151 K DRM | K 151 K 15 X7R H TT | 2222 731 54151 | 5.08 |
| CW 15 A 151 M DRM | K 151 M 15 X7R H TT | 2222 731 55151 | 5.08 |
| CW 15 A 181 K DRM | K 181 K 15 X7R H TT | 2222 731 54181 | 5.08 |
| CW 15 A 221 K DRM | K 221 K 15 X7R H TT | 2222 731 54221 | 5.08 |
| CW 15 A 221 M DRM | K 221 M 15 X7R H TT | 2222 731 55221 | 5.08 |
| CW 15 A 271 K DRM | K 271 K 15 X7R H TT | 2222 731 54271 | 5.08 |
| CW 15 A 331 K DRM | K 331 K 15 X7R H TT | 2222 731 54331 | 5.08 |
| CW 15 A 331 M DRM | K 331 M 15 X7R H TT | 2222 731 55331 | 5.08 |
| CW 15 A 391 K DRM | K 391 K 15 X7R H TT | 2222 731 54391 | 5.08 |
| CW 15 A 391 M DRM | K 391 M 15 X7R H TT | 2222 731 55391 | 5.08 |
| CW 15 A 471 K DRM | K 471 K 15 X7R H TT | 2222 731 54471 | 5.08 |
| CW 15 A 471 M DRM | K 471 M 15 X7R H TT | 2222 731 55471 | 5.08 |
| CW 15 A 561 K DRM | K 561 K 15 X7R H TT | 2222 731 54561 | 5.08 |
| CW 15 A 561 M DRM | K 561 M 15 X7R H TT | 2222 731 55561 | 5.08 |
| CW 15 A 681 K DRM | K 681 K 15 X7R H TT | 2222 731 54681 | 5.08 |
| CW 15 A 821 K DRM | K 821 K 15 X7R H TT | 2222 731 54821 | 5.08 |
| CW 15 A 102 K DRM | K 102 K 15 X7R H TT | 2222 731 54102 | 5.08 |
| CW 15 A 102 M DRM | K 102 M 15 X7R H TT | 2222 731 55102 | 5.08 |
| CW 15 A 122 K DRM | K 122 K 15 X7R H TT | 2222 731 54122 | 5.08 |
| CW 15 A 122 M DRM | K 122 M 15 X7R H TT | 2222 731 55122 | 5.08 |
| CW 15 A 152 K DRM | K 152 K 15 X7R H TT | 2222 731 54152 | 5.08 |
| CW 15 A 182 K DRM | K 182 K 15 X7R H TT | 2222 731 54182 | 5.08 |
| CW 15 A 222 K DRM | K 222 K 15 X7R H TT | 2222 731 54222 | 5.08 |
| CW 15 A 222 M DRM | K 222 M 15 X7R H TT | 2222 731 55222 | 5.08 |
| CW 15 A 272 K DRM | K 272 K 15 X7R H TT | 2222 731 54272 | 5.08 |
| CW 15 A 332 K DRM | K 332 K 15 X7R H TT | 2222 731 54332 | 5.08 |
| CW 15 A 332 M DRM | K 332 M 15 X7R H TT | 2222 731 55332 | 5.08 |
| CW 15 A 392 K DRM | K 392 K 15 X7R H TT | 2222 731 54392 | 5.08 |
| CW 15 A 472 K DRM | K 472 K 15 X7R H TT | 2222 731 54472 | 5.08 |
| CW 15 A 472 M DRM | K 472 M 15 X7R H TT | 2222 731 55472 | 5.08 |
| CW 15 A 562 K DRM | K 562 K 15 X7R H TT | 2222 731 54562 | 5.08 |
| CW 15 A 682 K DRM | K 682 K 15 X7R H TT | 2222 731 54682 | 5.08 |
| CW 15 A 682 M DRM | K 682 M 15 X7R H TT | 2222 731 55682 | 5.08 |
| CW 15 A 822 K DRM | K 822 K 15 X7R H TT | 2222 731 54822 | 5.08 |
| CW 15 A 103 K DRM | K 103 K 15 X7R H TT | 2222 731 54103 | 5.08 |