

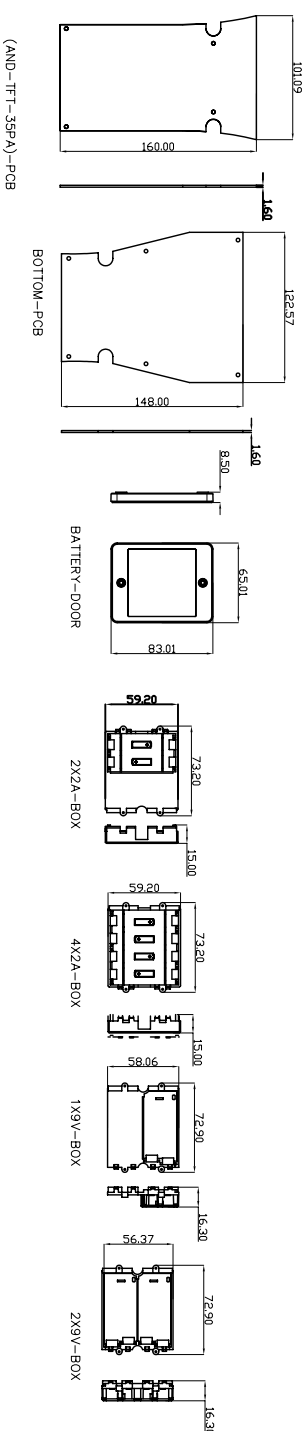
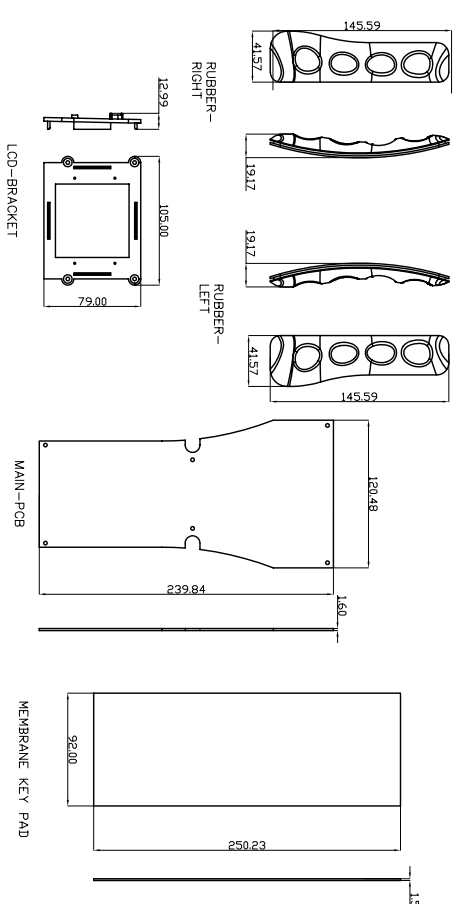
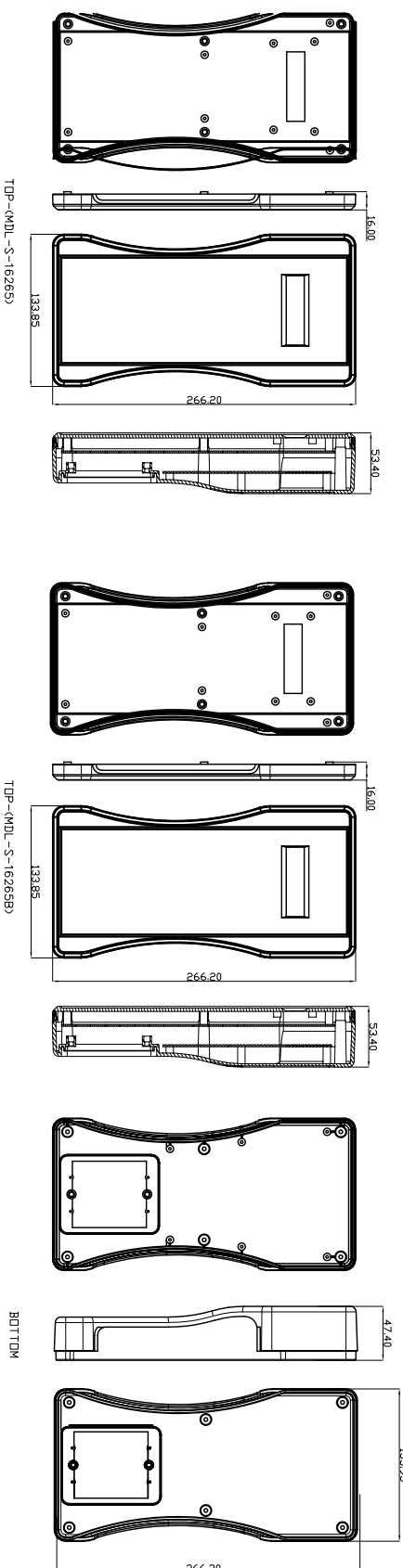
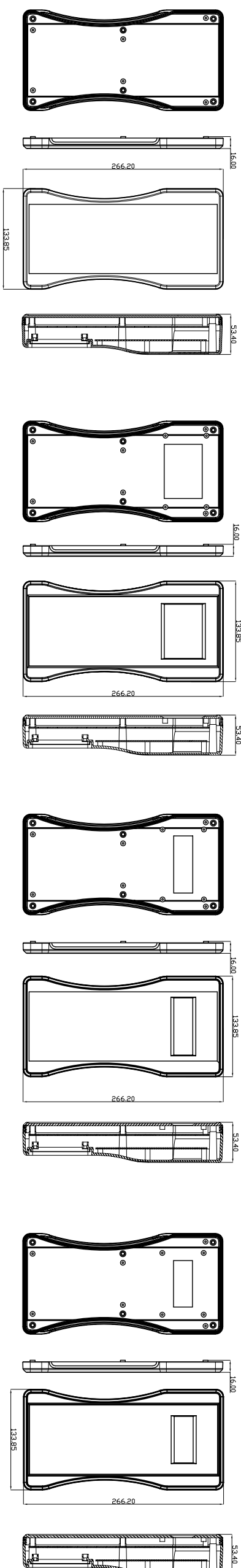
ENCLOSURES & ASSEMBLY SERVICES

BBOX ENCLOSURES, INC
 28835 N HERKY DRIVE, #114,
 LAKE BLUFF, IL 60044

TEL: 847-932-4700

WWW.BBOXENCLOSURES.COM

FAX: 847-932-4701



		Revision:	
		Model: EXTREME-L	
Title GRIP TECH		Part No.:	
Material:		Color:	
Finish:		Qty:	
Proj:		App. Date	
<p>TOLERANCE all dimension in mm unless otherwise specified</p> <p>X ±0.20 .X ±0.10 .XX ±0.05 ANGLE ±0.5°</p>		<p>DRN Date 2005-10-06</p> <p>CHK Date</p>	

THIS DRAWING IS THE PROPERTY OF AND MAY BE PROPRIETARY INFORMATION OWNED BY BBOX ENCLOSURES. IT IS PROVIDED UNDER A CONFIDENTIAL RELATIONSHIP FOR A SPECIFIC PURPOSE. THE RECIPIENT AGREES TO USE IT ONLY FOR SUCH PURPOSE AND RETURN IT TO BBOX ENCLOSURES UPON REQUEST.