

# HARWIN

## EXTRACTION TOOL Z80-258



## Datamate Trio-Tek

This Extraction Tool has been designed for use with the following Datamate Trio-Tek Signal Crimp Contacts and Crimp Housings:

M80-25300XX.....	Female crimp contact for 22-24 AWG wire, supplied reeled
M80-25400XX.....	Female crimp contact for 26-28 AWG wire, supplied reeled
M80-28300XX.....	Female crimp contact for 22-24 AWG wire, supplied loose
M80-28400XX.....	Female crimp contact for 26-28 AWG wire, supplied loose
M80-454XX98.....	Female crimp housing, no jackscrews
M80-455XX98.....	Female crimp housing, Hexagonal slotted jackscrews
M80-456XX98.....	Female crimp housing, Hexagonal Socket jackscrews
M80-457XX98.....	Female crimp housing, Reverse Fix jackscrews
M80-458XX98.....	Female crimp housing, Guide Pin with Panel Mount jackscrews

### GENERAL INFORMATION

The Extraction Tool consists of a single metal flat tool – the probe referred to in the following instructions is the small rectangular protrusion. This tool can also be used to aid assembly of the contacts into the housings, if required, by using the end of the probe to push on the back of the crimp contact.

### CARE OF TOOL

When the tool is not in use, store the tool in a clean, dry area. Avoid leaving anywhere where the blade may become damaged or twisted.

### ADVICE ON USE



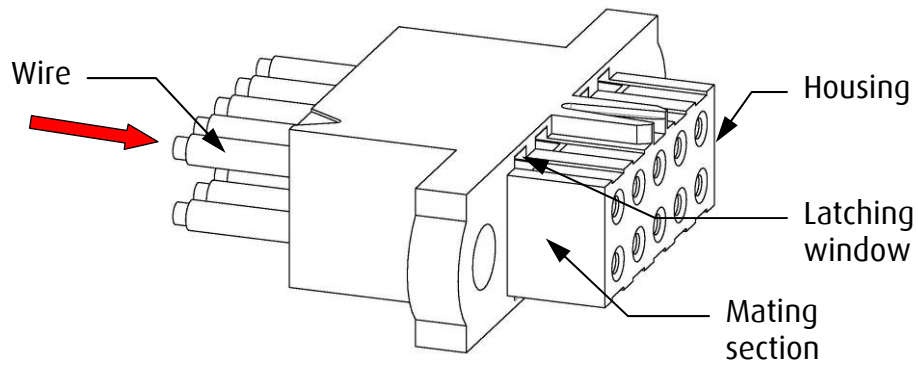
Manual tools such as this extraction tool are intended for low volume use. Repetitive, high-volume use is not recommended.

Use only with the Trio-Tek crimp contacts and housings listed above.

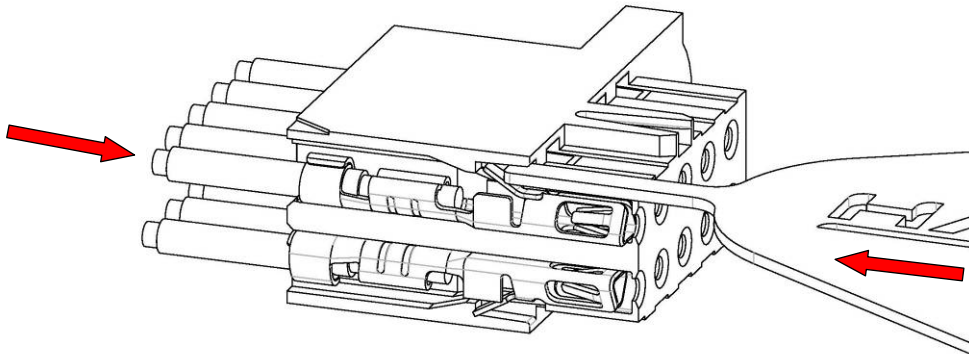
This tool is designed for hand use only, and must not be used with clamping, fixturing or use of handle extensions.

If you have any questions about this instruction sheet, or the Trio-Tek range of Datamate connectors, please contact [datamate@harwin.com](mailto:datamate@harwin.com).

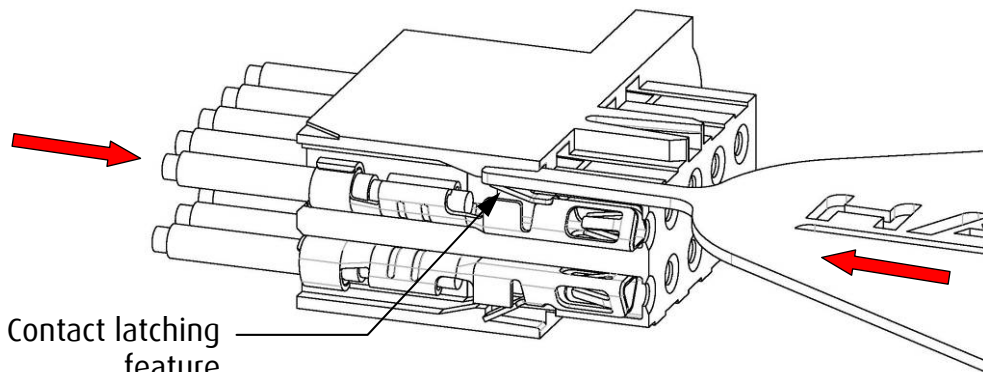
## ASSEMBLY – REMOVING THE CRIMP FROM THE HOUSING



Push the contact and wire forward into the housing in the direction as shown, taking the load off of the contact latching feature on the contact.

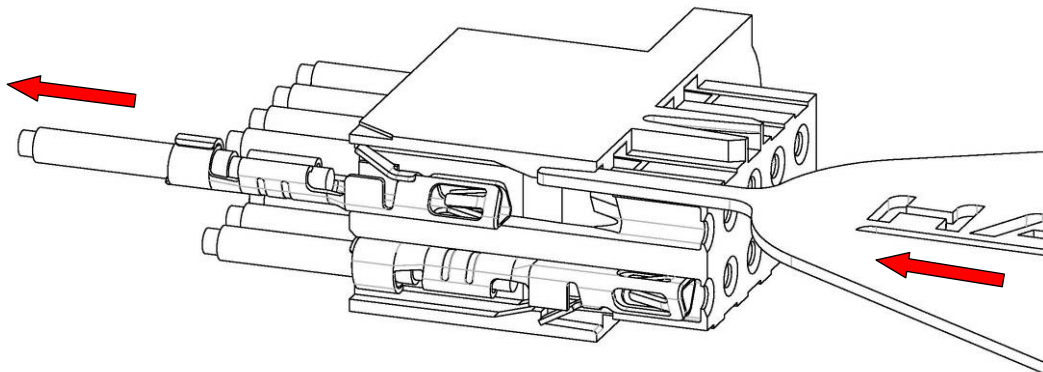


Slide the probe down the side of the mating section of the crimp housing, into the latching window of the crimp to be removed.



Push the tool to depth.

**Do not forcefully insert, insert on an angle, or insert with a twisting action. It may damage the tool or the housing**



Whilst keeping the tool in place, gently pull the wire and contact in the direction shown, to remove them from the housing.