

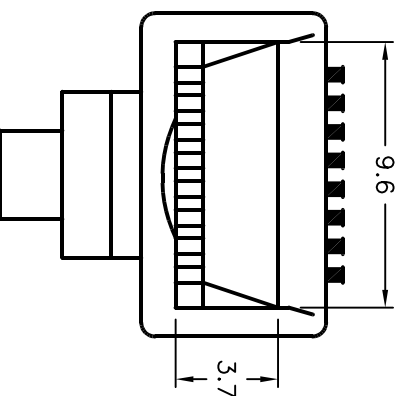
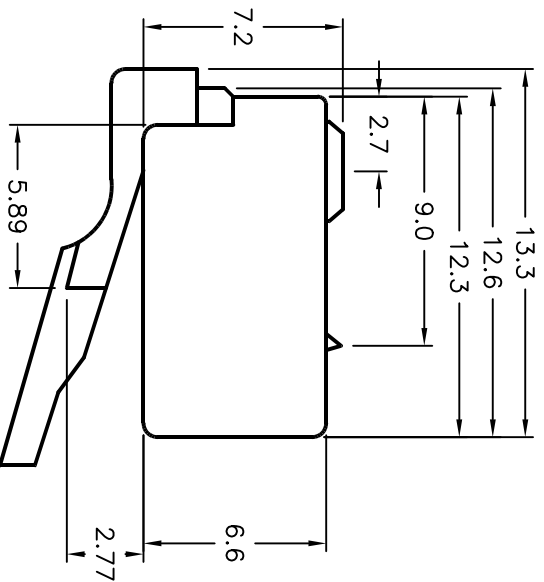
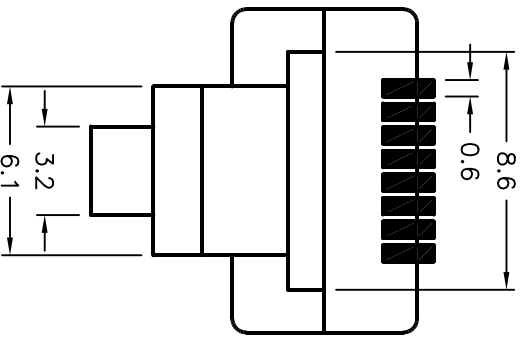
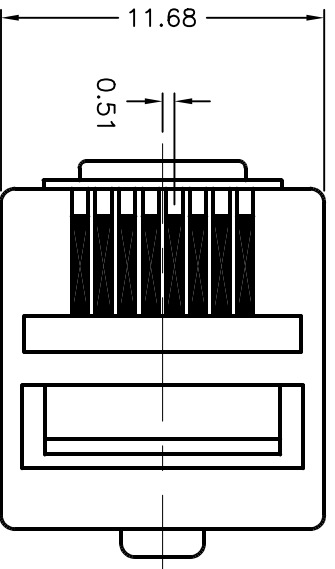
ALL RIGHTS RESERVED. NO PORTION OF THIS PUBLICATION, WHETHER IN WHOLE OR IN PART CAN BE REPRODUCED WITHOUT THE EXPRESS WRITTEN CONSENT OF SPC TECHNOLOGY.

SPC-F005.DWG

REVISIONS

DCP #	REV	DESCRIPTION	DRAWN	DATE	CHECKD	DATE	APPRD	DATE
858	A	RELEASED	HO	10/11/02	JWM	10/11/02	DJC	10/11/02

DOC. NO. SPC-F005 * Effective: 7/8/02 * DCP No: 1398



Materials:

- Housing: Polycarbonate, UL94V-2
- Terminal: Phosphor Bronze Gold Flash and with 50 Micro Inch Gold Plated on Contact area

TOLERANCES:

Tolerances Unless Otherwise Specified
 .X ±0.2
 .XX ±0.12

DRAWN BY:

HISHAM ODISH

DATE:

10/11/02

CHECKED BY:

JEFF MCVICKER

DATE:

10/11/02

APPROVED BY:

DANIEL CAREY

DATE:

10/11/02

DRAWING TITLE:

CAT. 5 PLUG

SIZE

A

DWG. NO.

3476

SCALE:

NTS

U.O.M.:

MILLIMETERS

ELECTRONIC FILE

92N5994.DWG

REV

A

SHEET:

1 OF 1

DISCLAIMER: ALL STATEMENTS AND TECHNICAL INFORMATION CONTAINED HEREIN ARE BASED UPON INFORMATION AND/OR TESTS WE BELIEVE TO BE ACCURATE AND RELIABLE. SINCE CONDITIONS OF USE ARE BEYOND OUR CONTROL, THE USER SHALL DETERMINE THE SUITABILITY OF THE PRODUCT FOR THE INTENDED USE AND ASSUME ALL RISK AND LIABILITY WHATSOEVER IN CONNECTION THEREWITH.