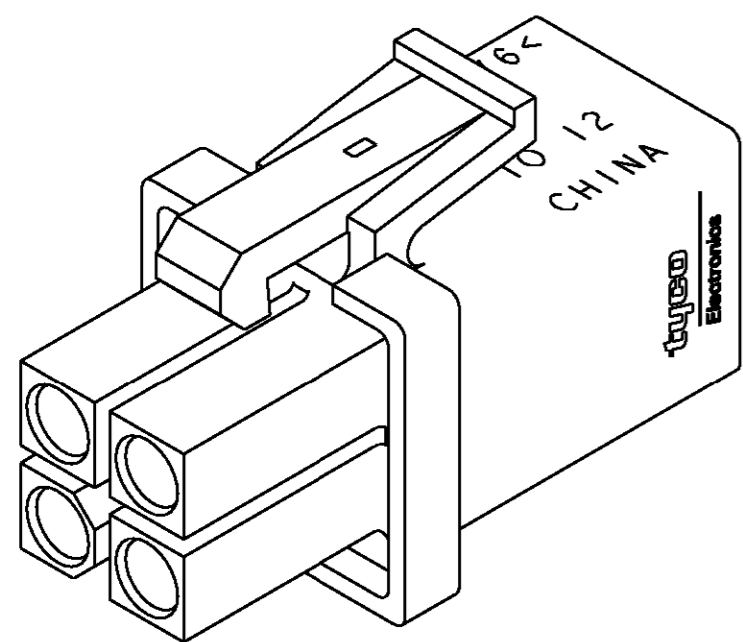
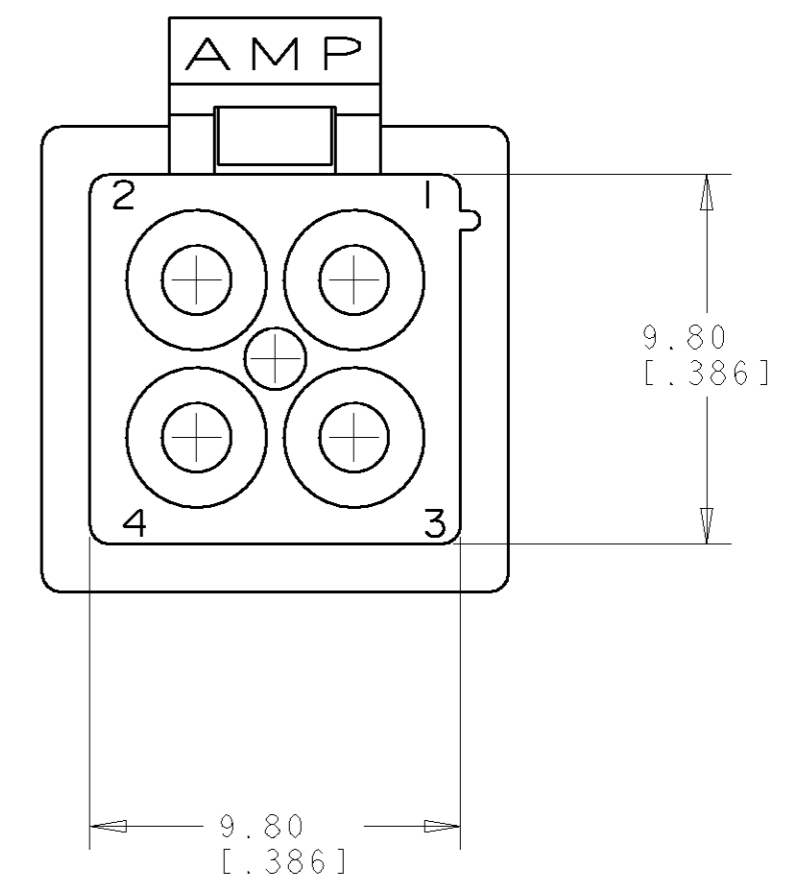
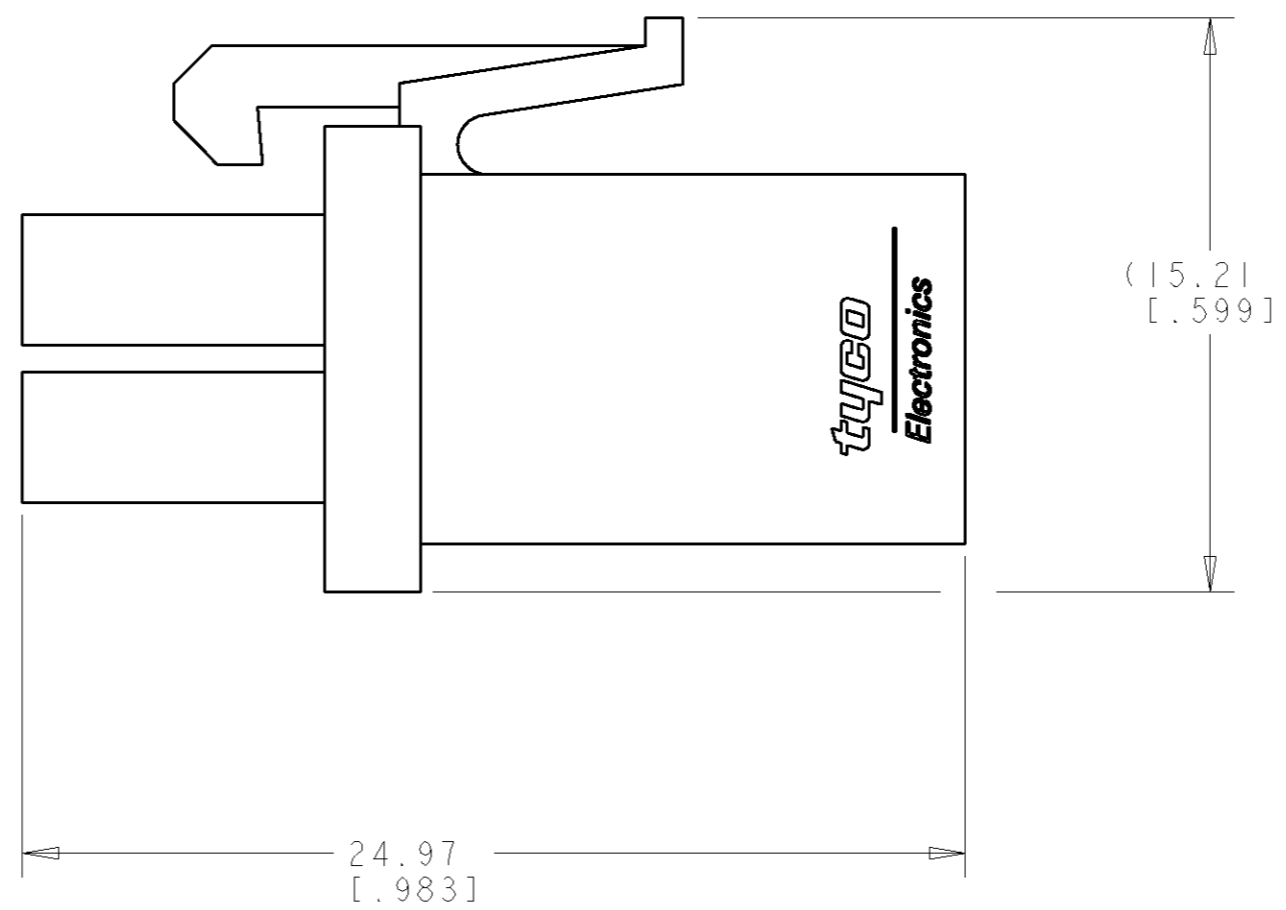
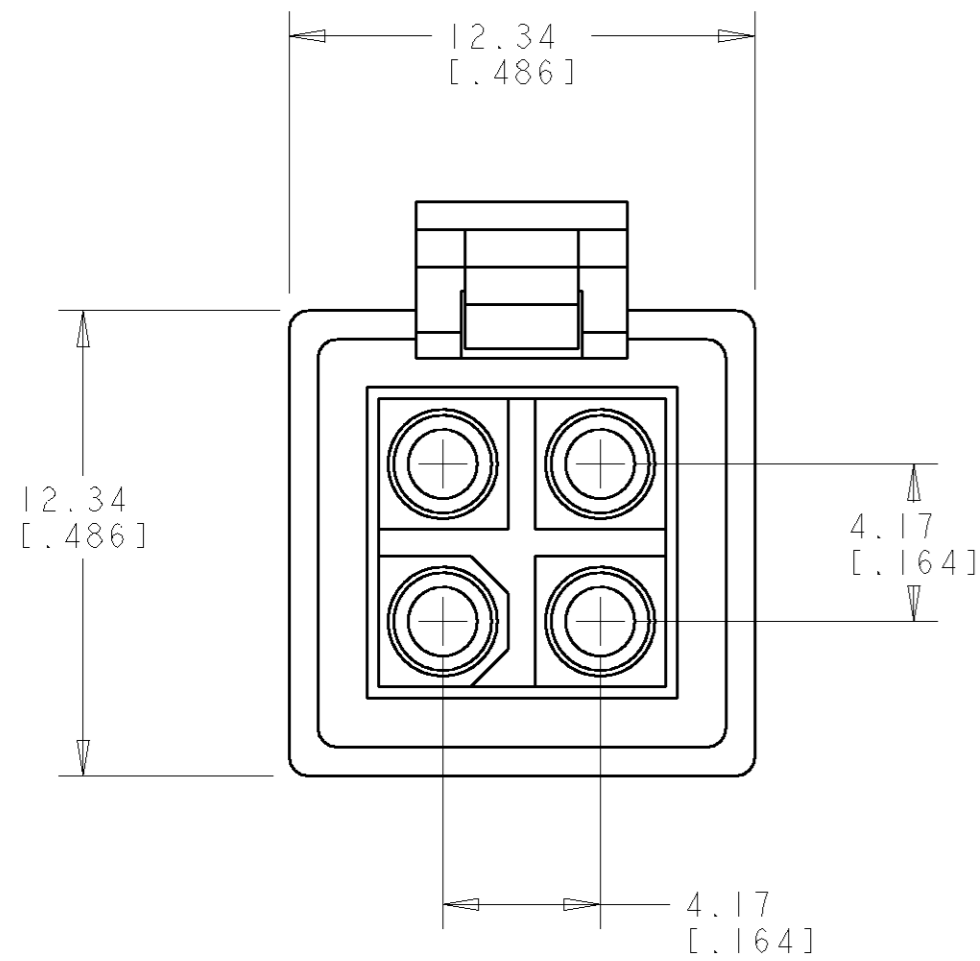


THIS DRAWING IS UNPUBLISHED. RELEASED FOR PUBLICATION 20
 © COPYRIGHT 20 BY TYCO ELECTRONICS CORPORATION. ALL RIGHTS RESERVED.

LOC	DIST	REVISIONS					
		P	LTR	DESCRIPTION	DATE	DWN	APVD
CM	00		A	REVISED PER 063B-0251-04	22JUNE04	KW	DC

1. DIMENSIONS IN BRACKETS ARE IN INCHES.



3 DIMENSIONAL MODEL
 SCALE 4:1

METRIC

794805-1
 PART NUMBER

<small>THIS DRAWING IS A CONTROLLED DOCUMENT FOR TYCO ELECTRONICS CORPORATION. IT IS SUBJECT TO CHANGE AND THE CONTROLLING ENGINEERING ORGANIZATION SHOULD BE CONTACTED FOR THE LATEST REVISION.</small>		DWN K. WHITAKER 10MAY2000 CHK K. COBLE 10MAY2000 APVD K. COBLE 10MAY2000	AMP Tyco Electronics Harrisburg, PA 17105-3608
DIMENSIONS: mm [INCHES]	TOLERANCES UNLESS OTHERWISE SPECIFIED: 0 PLC ± 1 PLC ± 2 PLC ±0.13 [.005] 3 PLC ± 4 PLC ± ANGLES ±0°30' FINISH -	PRODUCT SPEC - APPLICATION SPEC - WEIGHT -	NAME PLUG, 4 CIRCUIT, MINI UNIVERSAL MATE-N-LOK™ SIZE A2 CAGE CODE 00779 DRAWING NO. 794805 RESTRICTED TO - CUSTOMER DRAWING SCALE 5:1 SHEET 1 OF 1 REV A