

MULTICHEMISTRY BATTERY CHARGER CONTROLLER AND SYSTEM POWER SELECTOR

FEATURES

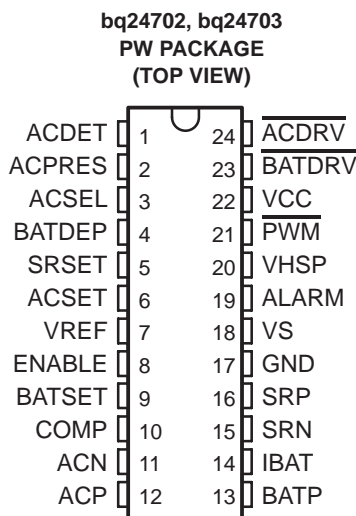
- **Dynamic Power Management, DPM Minimizes Battery Charge Time**
- **Integrated Selector Supports Battery Conditioning and Smart Battery Learn Cycle**
- **Zero Volt Operation**
- **Selector Feedback Circuit Ensures Break-Before-Make Transition**
- **±0.4% Charge Voltage Accuracy, Suitable for Charging Li-Ion Cells**
- **±4% Charge Current Accuracy**
- **300-kHz Integrated PWM Controller for High-Efficiency Buck Regulation**
- **Depleted Battery Detection and Indication to Protect Battery From Over Discharge**
- **20-μA Sleep Mode Current for Low Battery Drain**
- **24-Pin TSSOP Package and 5 mm × 5 mm QFN package (bq24703 only)**

DESCRIPTION

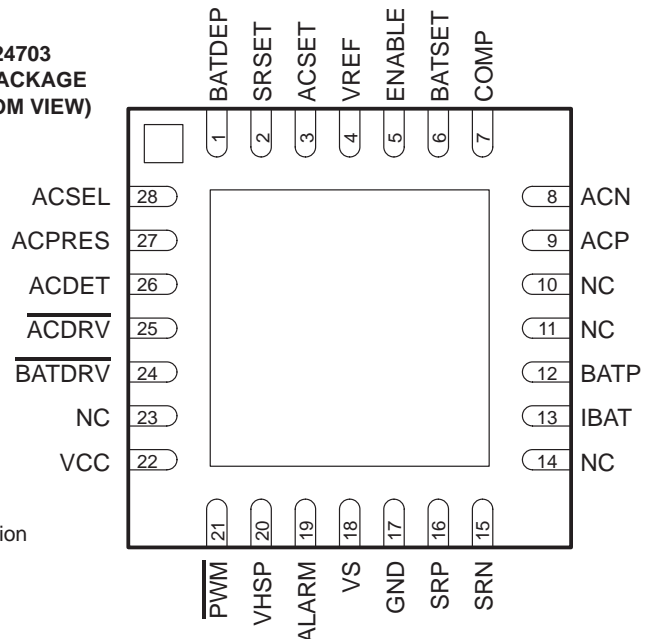
The bq24702/bq24703 is a highly integrated battery charge controller and selector tailored for notebook and sub-notebook PC applications.

The bq24702/bq24703 uses dynamic power management (DPM) to minimize battery charge time by maximizing use of available wall-adaptor power. This is achieved by dynamically adjusting the battery charge current based on the total system (adaptor) current.

The bq24702/bq24703 uses a fixed frequency, pulse width modulator (PWM) to accurately control battery charge current and voltage. Charge current limits can be programmed from a keyboard controller DAC or by external resistor dividers from the precision 5-V, ±0.6%, externally bypassed voltage reference (VREF), supplied by the bq24702/bq24703.



**bq24703
RHD PACKAGE
(BOTTOM VIEW)**



NC – No internal connection



Please be aware that an important notice concerning availability, standard warranty, and use in critical applications of Texas Instruments semiconductor products and disclaimers thereto appears at the end of this data sheet.

DESCRIPTION (continued)

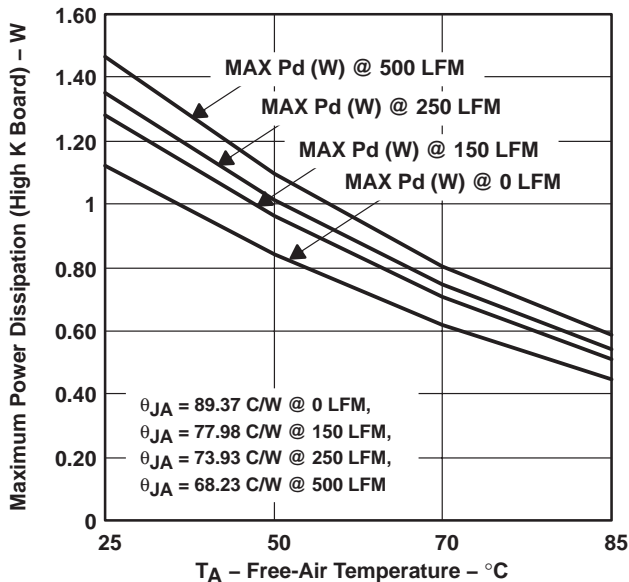
The battery voltage limit can be programmed by using the internal 1.196-V, $\pm 0.5\%$ precision reference, making it suitable for the critical charging demands of lithium-ion cells. Also, the bq24702/bq24703 provides an option to override the precision reference and drive the error amplifier either directly from an external reference or from a resistor divider off the 5 V supplied by the integrated circuit.

The selector function allows the manual selection of the system power source, battery or wall-adaptor power. The bq24702/bq24703 supports battery-conditioning and battery-learn cycles through the ACSEL function. The ACSEL function allows manual selection of the battery or wall power as the main system power. It also provides autonomous switching to the remaining source (battery or ac power) should the selected system power source terminate (refer to Table 1 for the differences between the bq24702 and the bq24703). The bq24702/bq24703 also provides an alarm function to indicate a depleted battery condition.

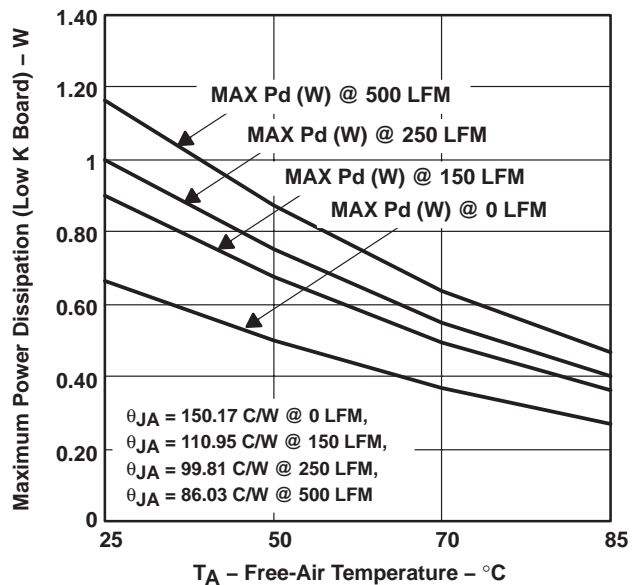
The bq24702/bq24703 PWM controller is ideally suited for operation in a buck converter for applications when the wall-adaptor voltage is greater than the battery voltage.

DISSIPATION RATINGS

**MAXIMUM POWER DISSIPATION
(HIGH K BOARD)
vs
FREE-AIR TEMPERATURE**



**MAXIMUM POWER DISSIPATION
(LOW K BOARD)
vs
FREE-AIR TEMPERATURE**



† The JEDEC low K (1s) board design used to derive this data was a 3-inch x 3-inch, two layer board with 2 ounce copper traces on top of the board.
‡ The JEDEC high K (1s) board design used to derive this data was a 3-inch x 3-inch, multilayer board with 1 ounce internal power and ground planes and 2 ounce copper traces on top and bottom of the board.

Table 1. Available Options

| CONDITION –20°C ≤ T _J ≤ 125°C | SELECTOR OPERATION | |
|---|--|--|
| | bq24702PW | bq24703RHD |
| Battery as Power Source | | |
| Battery removal | Automatically selects ac + alarm | Automatically selects ac + alarm |
| Battery reinserted | Selection based on selector inputs | Adapter latched until adapter is removed or ac select toggles. |
| AC as Power Source | | |
| AC removal | Automatically selects battery | Automatically selects battery |
| AC reinserted | Selection based on selector inputs | Selection based on selector inputs |
| Depleted Battery Condition | | |
| Battery as power source | Sends ALARM signal | Automatically selects ac Sends ALARM signal |
| AC as power source | Sends ALARM signal | Sends ALARM signal |
| ALARM Signal Active | | |
| | Depleted battery condition | Depleted battery condition |
| | When selector input is not equal to selector output (single pulse alarm) | |

ABSOLUTE MAXIMUM RATINGS OVER OPERATING FREE-AIR TEMPERATURE(unless otherwise noted)^{†‡}

| | |
|---|----------------|
| Supply voltage range: VCC | –0.3 V to 30 V |
| Battery voltage range: SRP, SRN | –0.3 V to 30 V |
| Input voltage: ACN, ACP | –0.3 V to 30 V |
| Virtual junction temperature range, T _J | –40°C to 125°C |
| Maximum source/sink current VHSP | 50 mA |
| Maximum ramp rate for V _{CC} | 10 V/μs |
| Maximum sink current ACPRES, COMP, ALARM | 2.5 mA |
| Maximum ramp rate for V _(BAT) | 10 V/μs |
| Maximum source/sink current $\overline{\text{BATDRV}}$ | 10 mA |
| Maximum source/sink current $\overline{\text{ACDRV}}$ | 10 mA |
| Maximum source/sink current $\overline{\text{PWM}}$ | 50 mA |
| Maximum source/sink current pulsed $\overline{\text{ACDRV}}$, (10-μs rise time, 10-μs fall time, 1-ms pulse width, single pulse) | 50 mA |
| Maximum source current VREF | 30 mA |
| Maximum source current SRP | 100 mA |
| Maximum difference voltage SRP – SRN | 30 V |
| Storage temperature range T _{stg} | –65°C to 150°C |
| Lead temperature (soldering, 10 seconds) | 300°C |

[†] Stresses beyond those listed under “absolute maximum ratings” may cause permanent damage to the device. These are stress ratings only, and functional operation of the device at these or any other conditions beyond those indicated under “recommended operating conditions” is not implied. Exposure to absolute-maximum-rated conditions for extended periods may affect device reliability.

[‡] All voltages are with respect to ground. Currents are positive into and negative out of the specified terminals. Consult the *Packaging* section of the data book for thermal limitations and considerations of the package.

RECOMMENDED OPERATING CONDITIONS

(T_A = T_{OPR}) all voltages relative to V_{SS}

| | | MIN | MAX | UNIT |
|--|--------------------------|------|-----|------|
| Supply voltage, (VCC) | Analog and PWM operation | 7.0 | 28 | V |
| | Selector operation | 4.5 | 28 | |
| Negative ac current sense, (ACN) | | 7.0 | 28 | V |
| Positive ac current sense, (ACP) | | 7.0 | 28 | V |
| Negative battery current sense, (SRN) | | 5 | 28 | V |
| Positive battery current sense, (SRP) | | 5 | 28 | V |
| AC or adapter power detection (ACDET) | | 0 | 5 | V |
| AC power indicator (ACPRES) | | 0 | 5 | V |
| AC adapter power select (ACSEL) | | 0 | 5 | V |
| Depleted battery level (BATDEP) | | 0 | 5 | V |
| Battery charge current programming voltage (SRSET) | | 0 | 2.5 | V |
| Charge enable (ENABLE) | | 0 | 5 | V |
| External override to an internal 0.5% precision reference (BATSET) | | 0 | 2.5 | V |
| Inverting input to the PWM comparator (COMP) | | 0 | 5 | V |
| Battery charge regulation voltage measurement input to the battery—voltage g _m amplifier (BATP) | | 0 | 5 | V |
| Battery current differential amplifier output (IBAT) | | 0 | 5 | V |
| System load voltage input pin (VS) | | 0 | 2.5 | V |
| Depleted battery alarm output (ALARM) | | 0 | 5 | V |
| Gate drive output (PWM) | | VHSP | VCC | V |
| Battery power source select output (BATDRV) | | 0 | 28 | V |
| AC or adapter power source selection output (ACDRV) | | VHSP | VCC | V |
| ACSET | | 0 | 2.5 | V |
| Operating free-air temperature, T _A | | -40 | 85 | °C |

ELECTRICAL CHARACTERISTICS

($-40^{\circ}\text{C} \leq T_J \leq 125^{\circ}\text{C}$, $7.0 V_{\text{DC}} \leq V_{\text{CC}} \leq 28 V_{\text{DC}}$, all voltages relative to V_{SS}) (unless otherwise specified)

Quiescent Current

| PARAMETER | TEST CONDITIONS | MIN | TYP | MAX | UNIT |
|--|-----------------------|-----|-----|-----|---------------|
| $I_{\text{DD(OP)}}$ Total chip operating current | ACPRES = High, EN = 0 | 1 | 1.6 | 6 | mA |
| $I_{\text{DD(SLEEP)}}$ Total battery sleep current, ac not present | ACPRES = Low | | 22 | 28 | μA |

logic interface dc characteristics

| PARAMETER | TEST CONDITIONS | MIN | TYP | MAX | UNIT |
|--|--------------------------------|-----|-----|-----|------|
| V_{OL} Low-level output voltage (ACPRES, ALARM) | $I_{\text{OL}} = 1 \text{ mA}$ | | | 0.4 | V |
| V_{IL} Low-level input voltage (ACSEL, ENABLE) | | | | 0.6 | V |
| V_{IH} High-level input voltage (ACSEL, ENABLE) | | 1.8 | | | V |
| $I_{\text{(SINK1)}}$ Sink current (ACPRES) | $V_{\text{OL}} = 0.4$ | 1.5 | 2 | 2.5 | mA |
| $I_{\text{(SINK2)}}$ Sink current (ALARM) | $V_{\text{OL}} = 0.4$ | 1.5 | 2 | 2.5 | mA |

PWM Oscillator

| PARAMETER | TEST CONDITIONS | MIN | TYP | MAX | UNIT |
|---|--|------|------|------|---------------|
| $f_{\text{OSC(PWM)}}$ Oscillator frequency | $0^{\circ}\text{C} \leq T_J \leq 85^{\circ}\text{C}$ | 260 | 300 | 340 | kHz |
| | $-40^{\circ}\text{C} \leq T_J \leq 125^{\circ}\text{C}$ | 240 | 300 | 350 | |
| Maximum duty cycle | | 100% | | | |
| Input voltage for maximum dc (COMP) | | 3.8 | | | V |
| Minimum duty cycle | | | | 0% | |
| Input voltage for minimum dc (COMP) | | | | 0.8 | V |
| $V_{\text{(RAMP)}}$ Oscillator ramp voltage (peak-to-peak) | | 1.85 | 2.15 | 2.30 | |
| $V_{\text{IK(COMP)}}$ Internal input clamp voltage (tracks COMP voltage for maximum dc) | | | 3.8 | 4.5 | |
| $I_{\text{S(COMP)}}$ Internal source current (COMP) | Error amplifier = OFF, $V_{\text{(COMP)}} = 1 \text{ V}$ | 70 | 110 | 140 | μA |

Leakage Current

| PARAMETER | TEST CONDITIONS | MIN | TYP | MAX | UNIT |
|--|---------------------------------------|-----|-----|-----|---------------|
| $I_{\text{L(ACDET)}}$ Leakage current, ACDET | $V_{\text{(ACDET)}} = 5 \text{ V}$ | | | 0.2 | μA |
| $I_{\text{L(SRSET)}}$ Leakage current, SRSET | $V_{\text{(SRSET)}} = 2.5 \text{ V}$ | | | 0.2 | μA |
| $I_{\text{L(ACSET)}}$ Leakage current, ACSET | $V_{\text{(ACSET)}} = 2.5 \text{ V}$ | | | 0.2 | μA |
| $I_{\text{L(BATDEP)}}$ Leakage current, BATDEP | $V_{\text{(BATDEP)}} = 5 \text{ V}$ | | | 0.2 | μA |
| $I_{\text{L(VS)}}$ Leakage current, VS | $V_{\text{(VS)}} = 5 \text{ V}$ | | | 0.2 | μA |
| $I_{\text{L(ALARM)}}$ Leakage current, ALARM | $V_{\text{(ALARM)}} = 5 \text{ V}$ | | | 0.2 | μA |
| $I_{\text{L(ACSEL)}}$ Leakage current, ACSEL | $V_{\text{(ACSEL)}} = 5 \text{ V}$ | | | 0.2 | μA |
| $I_{\text{L(ENABLE)}}$ Leakage current, ENABLE | $V_{\text{(ENABLE)}} = 5 \text{ V}$ | | | 0.2 | μA |
| $I_{\text{L(ACPRES)}}$ Leakage current, ACPRES | $V_{\text{(ACPRES)}} = 5 \text{ V}$ | | | 0.2 | μA |
| $I_{\text{L(BATP)}}$ Leakage current, BATP | $V_{\text{(BATP)}} = 5 \text{ V}$ | | | 0.2 | μA |
| $I_{\text{L(BATSET)}}$ Leakage current, BATSET | $V_{\text{(BATSET)}} = 2.5 \text{ V}$ | | | 0.2 | μA |

ELECTRICAL CHARACTERISTICS (CONTINUED)

(-40°C ≤ T_J ≤ 125°C, 7.0 V_{DC} ≤ V_{CC} ≤ 28 V_{DC}, all voltages relative to V_{SS}) (unless otherwise specified)

Battery Current-Sense Amplifier

| PARAMETER | | TEST CONDITIONS | MIN | TYP | MAX | UNIT |
|---------------------|--|---|-----|-----|-----|------|
| g _m | Transconductance gain | | 75 | 120 | 175 | mA/V |
| CMRR | Common-mode rejection ratio | See Note 1 | | 90 | | dB |
| V _{ICR} | Common-mode input (SRP, SRN) voltage range | V _{CC} = SRN, SRP + 2 V | 5 | | 30 | V |
| I _(SINK) | Sink current (COMP) | COMP = 1 V, (SRP – SRN) = 10 mV | 0.5 | 1.5 | 2.5 | mA |
| I _{IB} | Input bias current (SRP), See Note 2 | V _(SRP) = 16 V, SRSET = 2.5 V, (SRP – SRN) = 100 mV, V _{CC} = 28 | 70 | 85 | 110 | μA |
| | Input bias current accuracy (I _{SRP} – I _{SRN}) | (SRP – SRN) = 100 mV, SRSET = 2.5 V, V _{CC} = 28 V, 0 ≤ T _J ≤ 125°C | -3 | 0 | 3 | |
| V _(SET) | Battery current programming voltage (SRSET) | | 0 | | 2.5 | V |
| A _V | Battery current set gain | 0.65 V ≤ SRSET ≤ 2.5 V, 8 V ≤ SRN ≤ 16 V, See Note 3 | 24 | 25 | 26 | V/V |
| | Total battery current-sense mid-scale accuracy | SRSET = 1.25 V, T _J = 25°C, See Note 4 | -5% | | 5% | |
| | | SRSET = 1.25 V, See Note 4 | -6% | | 6% | |
| | Total battery current-sense full-scale accuracy | SRSET = 2.5 V, T _J = 25°C, See Note 4 | -3% | | 3% | |
| | | SRSET = 2.5 V, See Note 4 | -4% | | 4% | |

- NOTES: 1. Specified by design. Not production tested.
 2. I_(SRP) = I_(SRN) = (V_(SRSET) / 50 kΩ) + ((V_(SRP) – V_(SRN)) / 3 kΩ)
 example: If (V_(SRSET) = 2.5 V), (V_(SRP) – V_(SRN)) = 100 mV) Then I_(SRP) = I_(SRN) = 83 μA
 3. I_{BAT} = $\frac{SRSET}{R_{SENSE}} \times \frac{1}{A_V}$
 4. Total battery-current set is based on the measured value of (SRP–SRN) = Δm, and the calculated value of (SRP–SRN) = ΔC, using the measured gain, A_V. Δc = $\frac{SRSET}{A_V}$, Total accuracy in % = $\frac{(\Delta m - \Delta c)}{\Delta C} \times 100$, I_(SRP) – I_(SRN) = 0

ELECTRICAL CHARACTERISTICS (CONTINUED)

($-40^{\circ}\text{C} \leq T_J \leq 125^{\circ}\text{C}$, $7.0 \text{ V}_{\text{DC}} \leq \text{VCC} \leq 28 \text{ V}_{\text{DC}}$, all voltages relative to V_{SS}) (unless otherwise specified)

Adapter Current-Sense Amplifier

| PARAMETER | | TEST CONDITIONS | MIN | TYP | MAX | UNIT |
|---------------------|---|--|-------|------|------------------------|---------------|
| g_m | Transconductance gain | | 75 | 130 | 175 | mA/V |
| CMRR | Common-mode rejection ratio | See Note 1 | | 90 | | dB |
| V_{ICR} | Common-mode input voltage range (ACP) | | 7.0 | | V_{CC} | V |
| $I_{\text{(SINK)}}$ | Sink current (COMP) | COMP = 1 V, (ACP – ACN) = 10 mV | 0.5 | 1.5 | 2.5 | mA |
| I_{IB} | Input bias current (ACP, ACN) | ACP = ACN = 28 V, VCC = 28 V, ACSET = 2.5 V | 40 | 50 | 65 | μA |
| | Input bias current accuracy ratio ($I_{\text{(ACP)}}$, $I_{\text{(ACN)}}$) | ACP = ACN = 28 V, VCC = 28 V, ACSET = 2.5 V, $0 \leq T_J \leq 125^{\circ}\text{C}$ | -3 | 0 | 3 | |
| $V_{\text{(SET)}}$ | AC current programming voltage (ACSET) | | 0 | | 2.5 | V |
| A_V | AC current set gain | $0.65 \text{ V} \leq \text{ACSET} \leq 2.5 \text{ V}$, $12 \text{ V} \leq \text{ACP} \leq 20 \text{ V}$, See Note 5 | 24.5 | 25.3 | 26.5 | V/V |
| | Total ac current-sense mid-scale accuracy | ACSET = 1.25 V, $T_J = 25^{\circ}\text{C}$, See Note 6 | -5% | | 5% | |
| | | ACSET = 1.25 V, See Note 6 | -6% | | 6% | |
| | Total ac current-sense full-scale accuracy | ACSET = 2.5 V, $T_J = 25^{\circ}\text{C}$, See Note 6 | -3.5% | | 3.5% | |
| | | ACSET = 2.5 V, See Note 6 | -4% | | 4% | |

Battery Voltage Error Amplifier

| PARAMETER | | TEST CONDITIONS | MIN | TYP | MAX | UNIT |
|---------------------|---|--|-------|-------|-------|------|
| g_m | Transconductance gain | | 75 | 135 | 175 | mA/V |
| CMRR | Common-mode rejection ratio | See Note 1 | | 90 | | dB |
| V_{ICR} | BATSET common-mode input voltage range | | 1 | | 2.5 | V |
| V_{IT} | Internal reference override input threshold voltage | | 0.20 | 0.25 | 0.35 | V |
| $I_{\text{(SINK)}}$ | Sink current COMP | COMP = 1 V, (BATP – BATSET) = 10 mV, BATSET = 1.25 V | 0.5 | 1.5 | 2.5 | mA |
| $V_{\text{(FB)}}$ | Error-amplifier precision reference voltage | $T_J = 25^{\circ}\text{C}$ | 1.190 | 1.196 | 1.202 | V |
| | | $T_J = 0^{\circ}\text{C}$ to 85°C | 1.183 | 1.196 | 1.203 | |
| | | $T_J = -40^{\circ}\text{C}$ to 125°C | 1.178 | 1.196 | 1.204 | |

NOTE: 5. Calculation of the ac current: $I_{\text{AC}} = \frac{\text{ACSET}}{R_{\text{SENSE}}} \times \frac{1}{A_V}$

6. Total ac-current set accuracy is based on the measured value of (ACP–ACN) = Δc , using the measured gain, A_V .

$$\Delta c = \frac{\text{ACSET}}{A_V}, \text{ Total accuracy in \%} = \frac{(\Delta m - \Delta c)}{\Delta c} \times 100, I_{\text{(ACP)}} - I_{\text{(ACN)}} = 0$$

ELECTRICAL CHARACTERISTICS (CONTINUED)

(-40°C ≤ T_J ≤ 125°C, 7.0 V_{DC} ≤ V_{CC} ≤ 28 V_{DC}, all voltages relative to V_{SS}) (unless otherwise specified)

Battery Current Output Amplifier

| PARAMETER | | TEST CONDITIONS | MIN | TYP | MAX | UNIT |
|--|--|---|-------|-----|------|------|
| G _(TR) | Transfer gain | (SRP – SRN) = 5 mV, See Note 7 | | 20 | | V/V |
| V _{I(BAT)} | Battery current readback output voltage (IBAT) | (SRP – SRN) = 5 mV, SRP = 12 V, VCC = 18 V, T _J = 25°C | | 100 | | mV |
| | Line rejection voltage | T _J = 25°C | | 10 | | mV/V |
| CM | Common-mode input range (SRP) | | 5 | | 28 | V |
| V _{O(IBAT)} | Battery current output voltage range (IBAT) | | 0 | | 2.5 | V |
| I _{S(O)} | Output source current (IBAT) | (SRP – SRN) = 100 mV | 5 | 7.1 | 9.4 | mA |
| Total battery current readback full-scale accuracy | | (SRP – SRN) = 50 mV, T _J = 25°C, See Note 7 | -3% | | 2.4% | |
| | | (SRP – SRN) = 50 mV, 0°C ≤ T _J ≤ 85°C | -20% | | 20% | |
| | | (SRP – SRN) = 100 mV, T _J = 25°C, See Note 7 | -1.5% | | 1.2% | |
| | | (SRP – SRN) = 100 mV, 0°C < T _J < 85°C | -6% | | 8.5% | |

5-V Voltage Reference

| PARAMETER | | TEST CONDITIONS | MIN | TYP | MAX | UNIT |
|------------------|--------------------------------------|---------------------------------|-------|-----|-------|-------|
| V _{ref} | Output voltage (VREF) | T _J = 25°C | 4.985 | 5 | 5.013 | V |
| | | T _J = 0°C to 85°C | 4.946 | 5 | 5.013 | |
| | | T _J = 40°C to 85°C | 4.946 | 5 | 5.03 | V |
| | | T _J = -40°C to 125°C | 4.926 | 5 | 5.03 | V |
| | Line regulation | I _{LOAD} = 5 mA | | 0.1 | 0.37 | mV/V |
| | Load regulation | 1 mA ≤ I _{LOAD} ≤ 5 mA | | 1.1 | 4 | mV/mA |
| | Short circuit current | | 8 | 20 | 30 | mA |
| | 5V REF output capacitor | Capacitance | 2.2 | | 10 | μF |
| | Output capacitor equivalent resistor | ESR | 5 | | 1000 | mΩ |

Half Supply Regulator

| PARAMETER | | TEST CONDITIONS | MIN | TYP | MAX | UNIT |
|--------------------|--------------------|---|----------------------|------------------------|-----------------------|------|
| V _(HSP) | Voltage regulation | I _(SINK) = 20 mA, V _{CC} = 18 V | V _{CC} - 11 | V _{CC} - 10.2 | V _{CC} - 8.5 | V |
| | | I _(SINK) = 1 mA, V _{CC} = 7 V | | | 1.5 | |

NOTE: 7. Battery readback transfer gain $G_{TR} = \frac{V_{IBAT}}{(SRP - SRN)}$

ELECTRICAL CHARACTERISTICS (CONTINUED)

($-40^{\circ}\text{C} \leq T_J \leq 125^{\circ}\text{C}$, $7.0 V_{DC} \leq V_{CC} \leq 28 V_{DC}$, all voltages relative to V_{SS}) (unless otherwise specified)

MOSFET Gate Drive

| PARAMETER | | TEST CONDITIONS | MIN | TYP | MAX | UNIT |
|-----------|--|---|-----------------|-----------------|-----------------|---------------|
| | AC driver $R_{DS(on)}$ high | $V_{CC} = 18\text{ V}$, $I_{(ACDRV)} = 1\text{ mA}$ | | 85 | 150 | Ω |
| | AC driver $R_{DS(on)}$ low | $V_{CC} = 18\text{ V}$, $I_{(ACDRV)} = 1\text{ mA}$ | | 55 | 110 | Ω |
| | Battery driver $R_{DS(on)}$ high | $V_{CC} = 18\text{ V}$, $I_{(BATDRV)} = 1\text{ mA}$ | | 315 | 600 | Ω |
| | Battery driver $R_{DS(on)}$ low | $V_{CC} = 18\text{ V}$, $I_{(BATDRV)} = 1\text{ mA}$ | | 70 | 115 | Ω |
| t_{da} | Time delay from ac driver off to battery driver on | ACSEL 2.4 V \downarrow 0.2 V | | 1.2 | 2 | μs |
| t_{db} | Time delay from battery driver off to ac driver on | ACSEL 0.2 V \uparrow 2.4 V | | 2.4 | 3.3 | μs |
| V_{OH} | PWM driver high-level output voltage | $I_O = -10\text{ mA}$, $V_{CC} = 18\text{ V}$ | $V_{CC} - 0.18$ | $V_{CC} - 0.09$ | | V |
| | | $I_O = -50\text{ mA}$, $V_{CC} = 18\text{ V}$ | $V_{CC} - 1.2$ | $V_{CC} - 0.8$ | | |
| | PWM driver $R_{DS(on)}$ high | | | 7 | 14 | Ω |
| V_{OL} | PWM driver low-level output voltage | $I_O = 10\text{ mA}$, $V_{CC} = 18\text{ V}$ | | $V_{HSP} + 0.1$ | $V_{HSP} + 0.4$ | V |
| | | $I_O = 50\text{ mA}$, $V_{CC} = 18\text{ V}$ | | $V_{HSP} + 0.6$ | $V_{HSP} + 1.2$ | |
| | PWM driver $R_{DS(on)}$ low | | | 5 | 8.5 | Ω |

Selector

| PARAMETER | | TEST CONDITIONS | MIN | TYP | MAX | UNIT |
|------------------|---|---|-------|-------|-------|---------------|
| $V_{(ACPRES)}$ | AC presence detect voltage | | 1.194 | 1.246 | 1.286 | V |
| | | -40°C to 85°C | 1.208 | 1.246 | 1.285 | |
| $V_{IT(ACPRES)}$ | AC presence hysteresis | | | 1% | | |
| $t_{d(ACPRES)}$ | Deglintch delay for adapter insertion | | | 100 | | μs |
| $V_{(BATDEP)}$ | Battery depletion ALARM trip voltage | See Note 8 | 1.194 | 1.246 | 1.286 | V |
| | | -40°C to 85°C | 1.208 | 1.246 | 1.285 | |
| $V_{(NOBAT)}$ | No battery detect, switch to ACDRV | bq24702 only, See Note 8 | 0.869 | 1 | 1.144 | V |
| | | -40°C to 85°C | 0.880 | 1 | 1.118 | |
| $t_{(BATSEL)}$ | Battery select time (ACSEL low to BATDRV low) | $VS < BATP$, 50% threshold, ACSEL 2.4 V \downarrow 0.2 V | 1 | 2.5 | 3.5 | μs |
| $t_{(ACSEL)}$ | AC select time (ACSEL high to ACDRV low) | ACSEL 0.2 V \uparrow 2.4 V | 1 | 2.5 | 3.5 | μs |
| $V_{(VS)}$ | VS voltage to enable BATDRV | $BATP = 1\text{ V}$ | 0.98 | 1 | 1.02 | V |
| $V_{IT(VS)}$ | VS voltage hysteresis | $VS > BATP$ | 20 | 35 | 85 | mV |

Zero Volt Operation

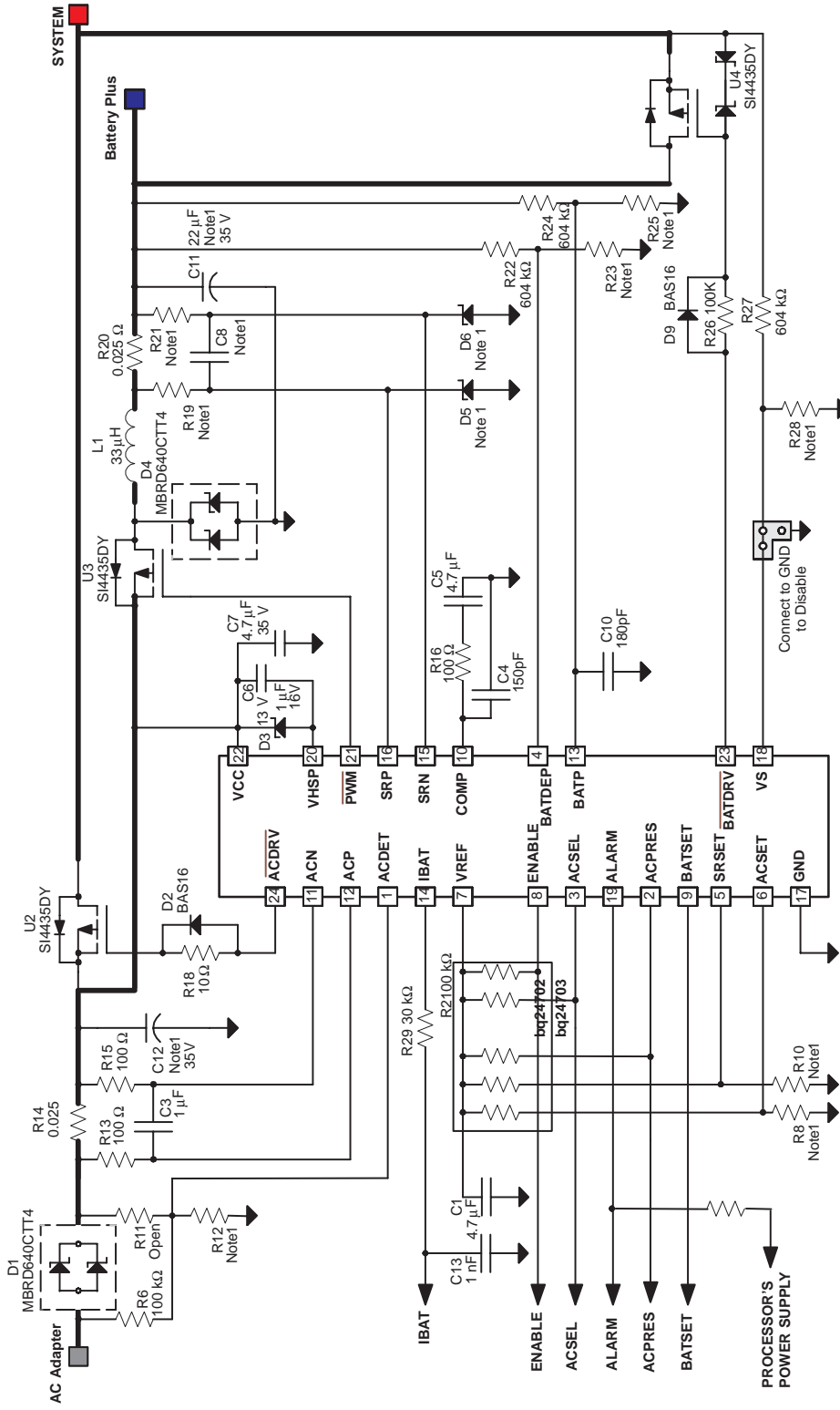
| PARAMETER | | TEST CONDITIONS | MIN | TYP | MAX | UNIT |
|--------------|---|---|-------|-------|-------|----------|
| $r_{DS(on)}$ | Static drain source on-state resistance | $V_{CC} = 7\text{ V}$, $T_J = 125^{\circ}\text{C}$, $I_O = 100\text{ mA}$ | | 5.3 | 8.7 | Ω |
| | zero volt operation threshold | BATDEP increasing | 0.743 | 0.794 | 0.840 | V |
| | | BATDEP decreasing | 0.570 | 0.62 | 0.656 | |

NOTES: 8. Total battery current readback accuracy is based on the measured value of V_{IBAT} , V_{IBATm} , and the calculated value of V_{IBAT} , V_{IBATc} , using the measured value of the transfer gain, GTR.

$$V_{IBATc} = (SRP - SRN) \times GTR \quad \text{Total Accuracy in \%} = \frac{V_{IBATm} - V_{IBATc}}{V_{IBATm}} \times 100$$

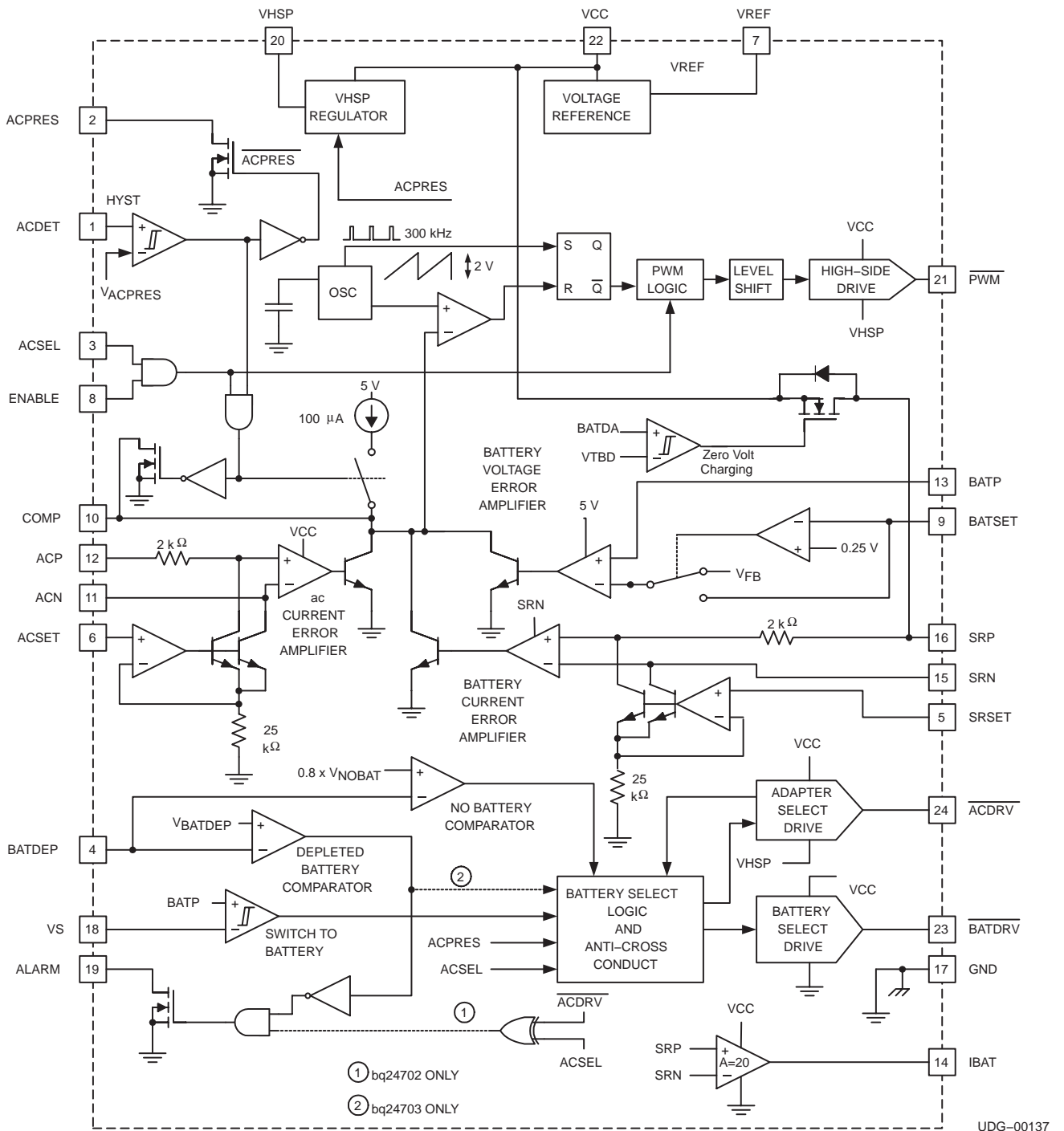
9. Refer to Table 1 to determine the logic operation of the bq24702 and the bq24703.

APPLICATION DIAGRAM



- Note 1: R8 Sets AC Adapter Current Limit
 R10 Sets Charge Current
 R12 Sets AC ADAPTER Current Limit
 R25 Sets the Battery Depleted Threshold
 R28 Sets the Charge Regulation Voltage
 R19 = R21, Sets Zero Volt Charge Current
 C11 Optional, See Application Notes
 C12 For Value, See Application Notes
 C8 Value Depends on R21 and R19, See Application Notes
 D5, D6 Refer to the Application Section

BLOCK DIAGRAM



Terminal Functions

| TERMINAL | | | I/O | DESCRIPTION |
|----------|--------------|---------------|-----|--|
| NAME | bq24702 (PW) | bq24703 (QFN) | | |
| ACDET | 1 | 26 | I | AC or adapter power detection |
| ACDRV | 24 | 25 | O | AC or adapter power source selection output |
| ACN | 11 | 8 | I | Negative differential input |
| ACP | 12 | 9 | I | Positive differential input |
| ACPRES | 2 | 27 | O | AC power indicator |
| ACSEL | 3 | 28 | I | AC adapter power select |
| ACSET | 6 | 3 | I | Adapter current programming voltage |
| ALARM | 19 | 19 | O | Alarm output |
| BATDEP | 4 | 1 | I | Depleted battery level |
| BATDRV | 23 | 24 | O | Battery power source select output |
| BATP | 13 | 12 | I | Battery charge regulation voltage measurement input to the battery-voltage g_m amplifier |
| BATSET | 9 | 6 | I | External override to an internal precision reference |
| COMP | 10 | 7 | O | Inverting input to the PWM comparator |
| ENABLE | 8 | 5 | I | Charge enable |
| GND | 17 | 17 | O | Supply return and ground reference |
| IBAT | 14 | 13 | O | Battery current differential amplifier output |
| PWM | 21 | 21 | O | Gate drive output |
| SRN | 15 | 15 | I | Negative differential battery current sense amplifier input |
| SRP | 16 | 16 | I/O | Positive differential battery current sense amplifier input |
| SRSET | 5 | 2 | I | Battery charge current programming voltage |
| VCC | 22 | 22 | I | Operational supply voltage |
| VHSP | 20 | 20 | O | Voltage source to drive gates of the external MOSFETs |
| VREF | 7 | 4 | O | Precision 5-V reference |
| VS | 18 | 18 | I | System (load) voltage input pin |

Pin Assignments

ACDET: AC or adapter power detection. This input pin is used to determine the presence of the ac adapter. When the voltage level on the ACDET pin is less than V_{ACPRES} , the bq24702/bq24703 is in sleep mode, the PWM control is disabled, the \overline{BATDRV} is driven low, and the \overline{ACDRV} is driven high. This feature can be used to automatically select battery as the system power source.

\overline{ACDRV} : AC or adapter power source select output. This pin drives an external P-channel MOSFET used to switch to the ac wall-adapter as the system power source. When the ACSEL pin is high while the voltage on the ACDET pin is greater than V_{ACPRES} , the output \overline{ACDRV} pin is driven low (V_{HSP}). This pin is driven high (V_{CC}) when the ACDET is less than V_{ACPRES} .

ACN, ACP: Negative and positive differential inputs, respectively for ac-to-dc adapter current sense resistor.

ACPRES: This open-drain output pin is used to indicate the presence of ac power. A logic high indicates there is a valid ac input. A low indicates the loss of ac power. ACPRES is high when the voltage level on the ACDET pin is greater than V_{ACPRES} .

ACSEL: AC adapter power select. This input selects either the ac adapter or the battery as the power source. A logic high selects ac power, while a logic low selects the battery.

ACSET: Adapter current programming voltage. This input sets the system current level at which dynamic power management occurs. Adapter currents above this programmed level activate the dynamic power management and proportionally reduce the available power to the battery.

ALARM: Depleted battery alarm output. This open-drain pin indicates that a depleted battery condition exists. A pullup on ALARM goes high when the voltage on the BATDEP pin is below V_{ACPRES} . On the bq24702, the ALARM output also activates when the selector inputs do not match the selector state.

BATDEP: Depleted battery level. A voltage divider network from the battery to BATDEP pin is used to set the battery voltage level at which depletion is indicated by the ALARM pin. See ALARM pin for more details. A battery depletion is detected when BATDEP is less than V_{ACPRES} . A no-battery condition is detected when the battery voltage is < 80% of the depleted threshold. In a no-battery condition, the bq24702 automatically selects ac as the input source. If ENABLE = 1, the PWM remains enabled.

\overline{BATDRV} : Battery power source select output. This pin drives an external P-channel MOSFET used to switch the battery as the system's power source. When the voltage level on the ACDET pin is less than V_{ACPRES} , the output of the \overline{BATDRV} pin is driven low, GND. This pin is driven high (V_{CC}) when ACSEL is high and ACDET > V_{ACPRES} .

BATP: Battery charge regulation voltage measurement input to the battery-voltage g_m amplifier. The voltage on this pin is typically derived from a voltage divider network connected across the battery. In a voltage loop, BATP is regulated to the V_{FB} precision reference of the battery voltage g_m amplifier.

BATSET: An external override to an internal precision reference. When BATSET is > 0.25 V, the voltage level on the BATSET pin sets the voltage charge level. When $BATSET \leq 0.25$ V, an internal V_{FB} reference is connected to the inverting input of the battery error amplifier. To ensure proper battery voltage regulation with BATSET, BATSET must be > 1.0 V. Simply ground BATSET to use the internal reference.

COMP: The inverting input to the PWM comparator and output of the g_m amplifiers. A type II compensation network between COMP and GND is recommended.

ENABLE: Charge enable. A high on this input pin allows PWM control operation to enable charging while a low on this pin disables and forces the PWM output to a high state. Battery charging is initiated by asserting a logic 1 on the ENABLE pin.

GND: Supply return and ground reference

IBAT: Battery current differential amplifier output. The output of this pin produces a voltage proportional to the battery charge current. This voltage is suitable for driving an ADC input.

PWM: Gate drive output pin drives the P-channel MOSFET for PWM control. The PWM control is active when ACPRES, ACSEL, and ENABLE are high. $\overline{\text{PWM}}$ is driven low to V_{HSP} and high to V_{CC} .

SRN, SRP: Differential amplifier inputs for battery current sense. These pins feed back the battery charge current for PWM control. SRN is tied to the battery terminal. SRP is the source pin for zero volt operation.

SRSET: Battery charge current programmed voltage. The level on this pin sets the battery charge current limit.

VCC: Operational supply voltage.

VHSP: The VHSP pin is connected to a 1- μF capacitor (close to the pin) to provide a stable voltage source to drive the gates of the external MOSFETs. $V_{\text{HSP}} = V_{\text{CC}} - 10 \text{ V}$ for $V_{\text{CC}} > 10.5 \text{ V}$ and $V_{\text{HSP}} = V_{\text{CC}} - 0.5 \text{ V}$ for $V_{\text{CC}} < 10.5 \text{ V}$. A 13-V Zener diode should be placed between VCC and VHSP to prevent MOSFET overstress during start-up.

VREF: Bypassed precision voltage 5-V output. It can be used to set fixed levels on the inverting inputs of any one of the three error amplifiers if desired. The tight tolerance is suitable for charging lithium-ion batteries.

VS: System (Load) voltage input pin. The voltage on this pin indicates the system voltage in order to insure a break before make transition when changing from ac power to battery power. The battery is protected from an over-voltage condition by disabling the P-channel MOSFET connected to the $\overline{\text{BATDRV}}$ pin if the voltage at VS is greater than BATH. This function can be eliminated by grounding the VS pin.

APPLICATION INFORMATION

Programming the Thresholds

The input-referenced thresholds for battery depleted, ac detection and charge voltage are defined by dimensioning the external dividers connected to pins BATDEP, ACDET and B ATP. This calculation is simple, and consists of assuming that when the input voltage equals the desired threshold value the voltage at the related pin is equal to the pin internal reference voltage:

$$V_{\text{input}} = V_{\text{pin}} \times (1 + K_{\text{res}})$$

where:

V_{input} = Target threshold, referenced to input signal

V_{pin} = Internal reference (1.196 V for B ATP; 1.246 V for BATDEP, ACDET)

K_{res} = External resistive divider gain (for instance: R_{24}/R_{25} for B ATP)

When using external dividers with high absolute value the input bias currents for those pins must be included in the threshold calculation. On the bq24702/3 the input bias currents increase the actual value for the threshold voltage, when compared to the values calculated using the internal references and divider gain only:

$$V_{\text{input}} = V_{\text{pin}} \times (1 + K_{\text{res}}) + V_{\text{bias}}$$

The increase on the threshold voltage is given by:

$$V_{\text{bias}} = R_{\text{div}} \times I_{\text{pin}}$$

where:

V_{bias} = Voltage increase due to pin bias current

R_{div} = External resistor value for resistor connected from pin to input voltage

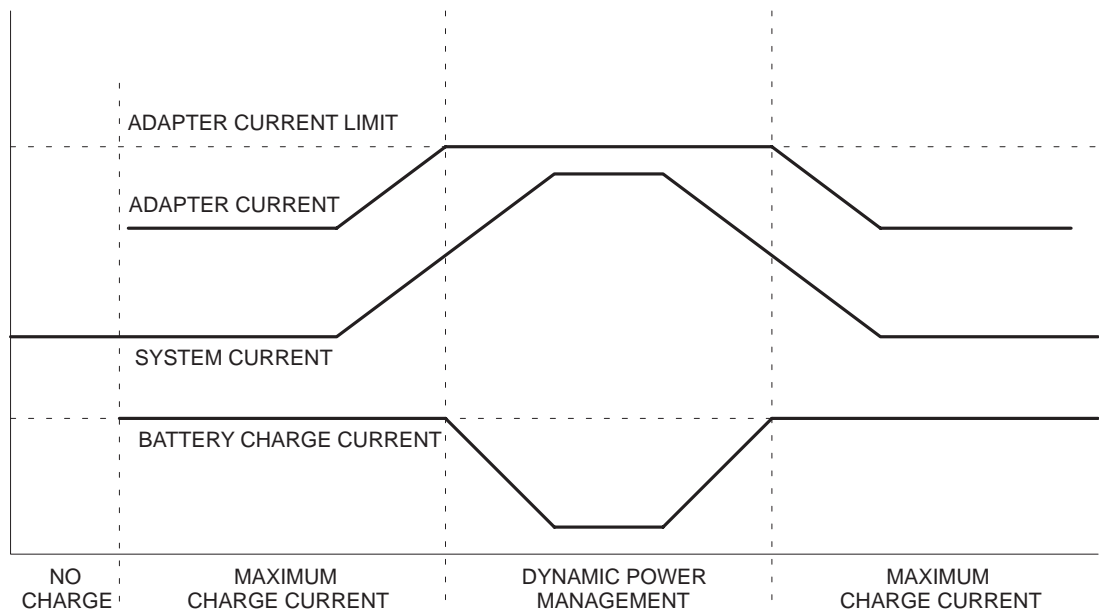
I_{pin} = Maximum pin leakage current

The effect of IB can be reduced if the resistor values are decreased.

Dynamic Power Management

The dynamic power management (DPM) feature allows a cost effective choice of an ac wall-adaptor that accommodates 90% of the system's operating-current requirements. It minimizes battery charge time by allocating available power to charge the battery (i.e. $I_{\text{BAT}} = I_{\text{ADPT}} - I_{\text{SYS}}$). If the system plus battery charge current exceeds the adapter current limit, as shown in Figure 1, the DPM feature reduces the battery charge current to maintain an overall input current consumption within user defined power capability of the wall-adaptor. As the system's current requirements decrease, additional current can be directed to the battery, thereby increasing battery charge current and minimizing battery charge time.

The DPM feature is inherently designed into the PWM controller by inclusion of the three control loops, battery-charge regulation voltage, battery-charge current, and adapter-charge current, refer to Figure 2. If any of the three user programmed limits are reached, the corresponding control loop commands the PWM controller to reduce duty cycle, thereby reducing the battery charge current.



UDG-00113

Figure 1. Dynamic Power Management

ACDET Operation

The ACDET function senses the loss of adequate adapter power. If the voltage on ACDET drops below the internal V_{ACPRES} reference voltage, a loss of ADAPTER power is declared and the bq24702/bq24703 switches to battery power as the main system power. In addition, the bq24702/bq24703 shuts down its 5-V VREF and enters a low power sleep mode.

Battery Charger Operation

The bq24702/bq24703 fixed-frequency, PWM controller is designed to provide closed-loop control of battery charge-current (I_{CH}) based on three parameters, battery-float voltage (V_{BAT}), battery-charge current, and adapter charge current (I_{ADPT}). The bq24702/bq24703 is designed primarily for control of a buck converter using a high side P-channel MOSFET device (SW, refer to Figure 2).

The three control parameters are voltage programmable through resistor dividers from the bq24702/bq24703 precision 5-V reference, an external or internal precision reference, or directly via a DAC interface from a keyboard controller.

Adapter and battery-charge current information is sensed and fed back to two transconductance (g_m) amplifiers via low-value-sense resistors in series with the adapter and battery respectively. Battery voltage information is sensed through an external resistor divider and fed back from the battery to a third g_m amplifier.

Precharge Operation

The precharge operation must be performed using the PWM regulator. The host can set the precharge current externally by monitoring the ALARM pin to detect a battery depleted condition and programming SRSET voltage to obtain the desired precharge current level.

Zero Volt Operating

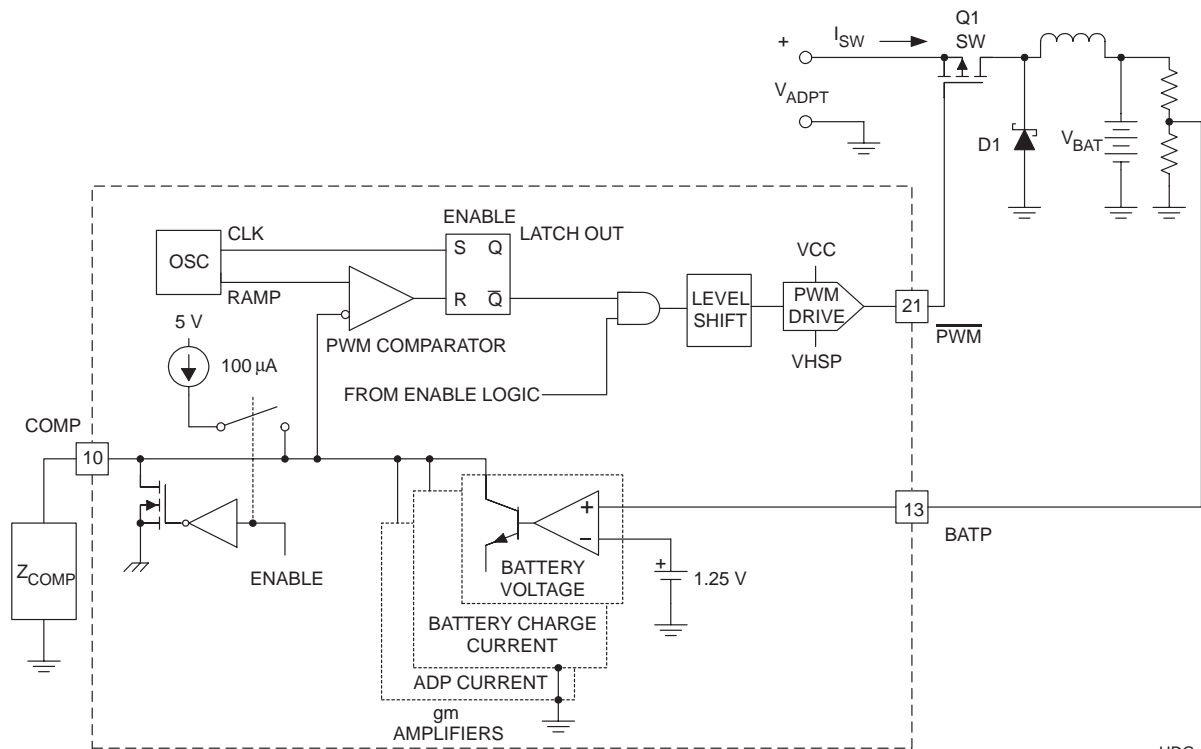
The zero volt operation is intended to provide a low current path to close open packs and protect the system in the event of a pack cell short-circuit condition or if a short is applied to the pack terminal. It is not designed to precharge depleted packs, as it is disabled at voltages that are not within normal pack operating range for precharge.

If the voltage at BATDEP pin is below the zero volt operation threshold, charge is enabled (EN=HI), and ac is selected (ACSEL=HI) the bq24702/3 enters the zero volt operation mode. When the zero volt operation mode is on, the internal PWM is disabled, and an internal power MOSFET connects SRP to V_{CC} . The battery charge current is limited by the filter resistor connected to SRP pin (R19). R19 must be dimensioned to withstand the worst case power dissipation when in zero volt operation mode.

The zero volt operation mode is disabled when BATDEP is above the zero volt operation threshold, and the main PWM loop is turned on if charge is enabled, regulating the current to the value set by SRSET voltage. To avoid errors on the charge current both resistors on the SRP, SRN filter must have the same value. Note, however, that R21 (connected to SRN) does not dissipate any power when in zero volt operation and can be of minimum size.

PWM Operation

The three open collector g_m amplifiers are tied to the COMP pin (refer to Figure 2), which is internally biased up by a 100- μ A constant current source. The voltage on the COMP pin is the control voltage (V_C) for the PWM comparator. The PWM comparator compares V_C to the sawtooth ramp of the internally fixed 300-kHz oscillator to provide duty cycle information for the PWM drive. The PWM drive is level-shifted to provide adequate gate voltage levels for the external P-channel MOSFET. Refer to *PWM selector switch gate drive* section for gate drive voltage levels.



UDG-00114

Figure 2. PWM Controller Block Diagram

Softstart

Softstart is provided to ensure an orderly start-up when the PWM is enabled. When the PWM controller is disabled (ENABLE = Low), the 100-μA current source pullup is disabled and the COMP pin is actively pulled down to GND. Disabling the 100-μA pullup reduces current drain when the PWM is disabled. When the bq24702/bq24703 PWM is enabled (ENABLE = High), the COMP pin is released and the 100-μA pullup is enabled (refer to Figure 2). The voltage on the COMP pin increases as the pullup charges the external compensation network connected to the COMP pin. As the voltage on the COMP pin increases the PWM duty cycle increases linearly as shown in Figure 3.

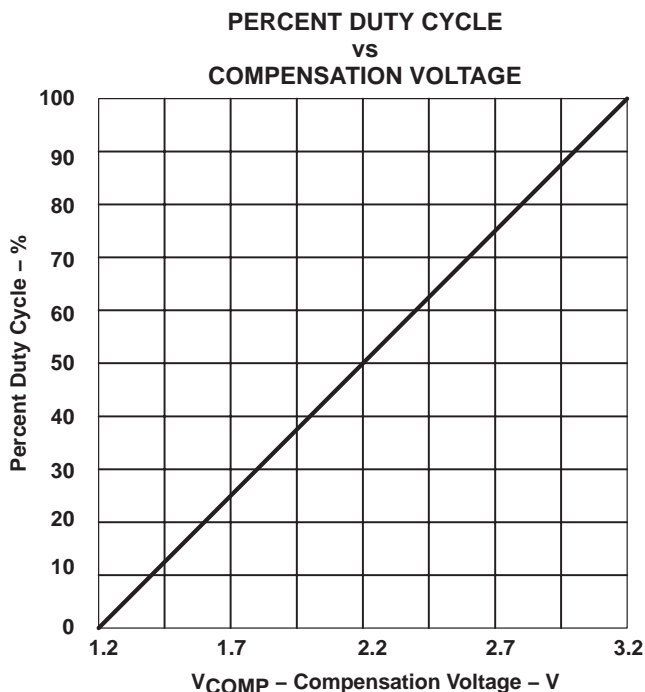


Figure 3

As any one of the three controlling loops approaches the programmed limit, the g_m amplifier begins to shunt current away from the COMP pin. The rate of voltage rise on the COMP pin slows due to the decrease in total current out of the pin, decreasing the rate of duty cycle increase. When the loop has reached the programmed limit the g_m amplifier shunts the entire bias current (100 μA) and the duty cycle remains fixed. If any of the control parameters tries to exceed the programmed limit, the g_m amplifier shunts additional current from the COMP pin, further reducing the PWM duty cycle until the offending parameter is brought into check.

Setting the Battery Charge Regulation Voltage

The battery charge regulation voltage is programmed through the BATSET pin, if the internal precision reference is not used. The BATSET input is a high-impedance input that is driven by either a keyboard controller DAC or via a resistor divider from a precision reference (see Figure 4).

The battery voltage is fed back to the g_m amplifier through a resistor divider network. The battery charge regulation voltage can be defined as:

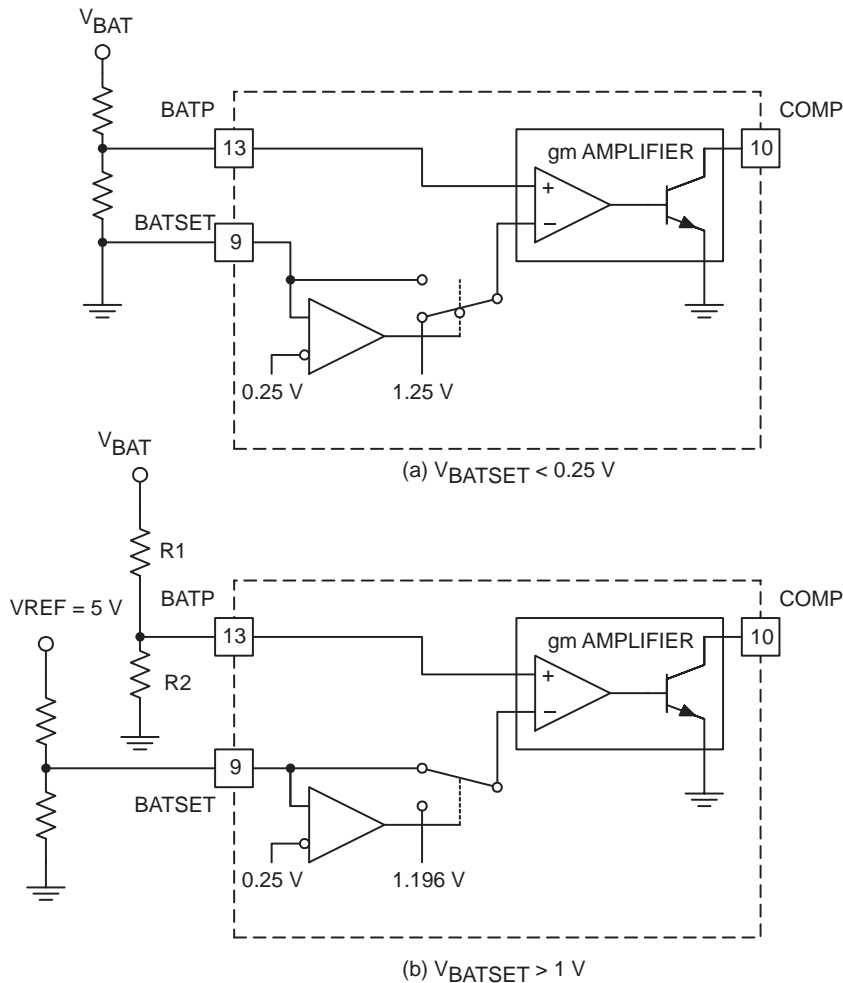
$$V_{\text{BATTERY}} = \frac{(R1 + R2) \times V_{\text{BATSET}}}{R2} + I_{\text{BATP}} \times R1 \tag{1}$$

where I_{BATP} = input bias current for pin BATP

The overall accuracy of the battery charge regulation voltage is a function of the bypassed 5-V reference voltage tolerance as well as the tolerances on R1 and R2. The precision voltage reference has a 0.5% tolerance making it suitable for the tight battery voltage requirements of Li-ion batteries. Tolerance resistors of 0.1% are recommended for R1 and R2 as well as any resistors used to set BATSET.

The bq24702/bq24703 provides the capability of using an internal precision voltage reference through the use of a multiplexing scheme, refer to Figure 4, on the BATSET pin. When BATSET voltage is less than 0.25 V, an internal reference is switched in and the BATSET pin is switched out from the g_m amplifier input. When the BATSET voltage is greater than 0.25 V, the BATSET pin voltage is switched in to the input of the g_m amplifier and the voltage reference is switched out.

NOTE: The minimum recommended BATSET is 1.0 V, if BATSET is used to set the voltage loop.

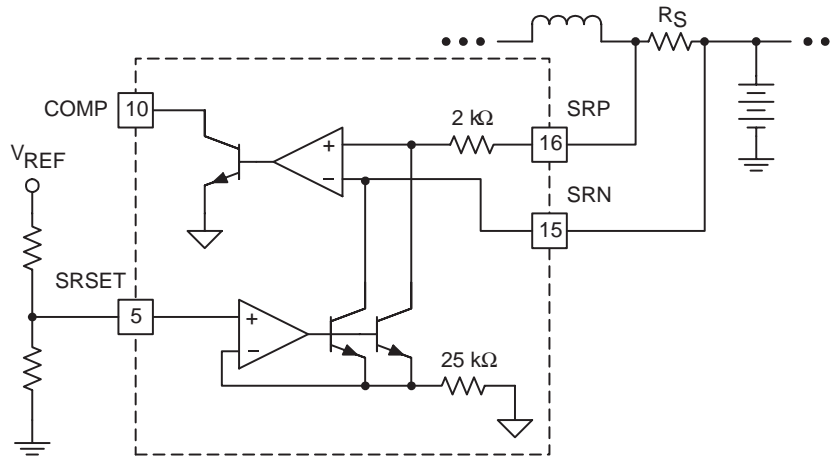


UDG-00116

Figure 4. Battery Error Amplifier Input Multiplexing Scheme

Programming the Battery Charge Current

The battery charge current is programmed via a voltage on the SRSET pin. This voltage can be derived from a resistor divider from the 5-V VREF or by means of an DAC. The voltage is converted to a current source that is used to develop a voltage drop across an internal offset resistor at one input of the SR g_m amplifier. The charge current is then a function of this voltage drop and the sense resistor (R_S), refer to Figure 5.



UDG-00117

Figure 5. Battery Charge Current Input Threshold Function

The battery charge current can be defined as:

$$I_{BAT} = \frac{V_{SRSET}}{25 \times R_S} \tag{2}$$

where V_{SRSET} is the programming voltage on the SRSET pin. V_{SRSET} maximum is 2.5 V.

Programming the Adapter Current

Like the battery charge current described previously, the adapter current is programmed via a voltage on the ACSET pin. That voltage can either be from an external resistor divider from the 5-V VREF or from an external DAC. The adapter current is defined as:

$$I_{ADPT} = \frac{V_{ACSET}}{25 \times R_{S2}} \tag{3}$$

COMPONENT SELECTION

MOSFET Selection

MOSFET selection depends on several factors, namely, gate-source voltage, input voltage, and input current. The MOSFET must be a P-channel device capable of handling at least 15-V gate-to-source with a drain-source breakdown of $V_{BV} \sim V_{IN} + 1$ V. The average input current can be approximated by:

$$I_{IN}(avg) = D \times I_{chg} \quad A$$

D = Duty cycle

I_{chg} = Charge current

(4)

The RMS current through the MOSFET is defined as:

$$I_{IN}(RMS) = I_{chg} \times \sqrt{D} \quad A_{RMS}$$
(5)

The rise/fall times for pin \overline{PWM} for the selected MOSFET should be greater than 40 nsec.

Schottky Rectifier (Freewheeling)

The freewheeling Schottky rectifier must also be selected to withstand the input voltage, V_{IN} . The average current can be approximated from:

$$I_{D1}(avg) = I_{chg} \times (1 - D) \quad A$$
(6)

Choosing an Inductance

Low inductance values result in a steep current ramp or slope. Steeper current slopes result in the converter operating in the discontinuous mode at a higher power level. Steeper current slopes also result in higher output ripple current, which may require a higher number or more expensive capacitors to filter the higher ripple current.

In addition, the higher ripple current results in an error in the sensed battery current particularly at lower charging currents. It is recommended that the ripple current not exceed 20% to 30% of full scale dc current.

$$L = \frac{D \times (V_{IN} - V_{BAT})}{F_S \times I_{chg} \times \text{Ripple}}$$

Ripple = % Ripple allowed (Ex.: 0,2 for 20% ripple)

(7)

Too large an inductor value results in the current waveform of Q1 and D1 in Figure 2 approximating a squarewave with an almost flat current slope on the step. In this case, the inductor is usually much larger than necessary, which may result in an efficiency loss (higher DCR) and an area penalty.

Selecting an Output Capacitor

For this application the output capacitor is used primarily to shunt the output ripple current away from the battery. The output capacitor should be sized to handle the full output ripple current as defined as:

$$I_C(RMS) = \frac{(V_{IN} - V_{BAT}) \times D}{F_S \times L} \quad A_{RMS}$$
(8)

Selecting an Input Capacitor

The input capacitor is used to shunt the converter ripple current on the input lines. The capacitor(s) must have a ripple current (RMS) rating of:

$$I_{\text{RMS}} = \sqrt{[I_{\text{chg}} \times (1-D)]^2 \times D + [I_{\text{chg}} \times D]^2 \times (1-D)} \quad A_{\text{RMS}} \quad (9)$$

In addition to shunting the converter input ripple when the PWM is operating, the input capacitor also acts as part of an LC filter, where the inductance component is defined by the ac adapter cable inductance and board trace inductance from adapter connector to filter capacitor. Overshoot conditions can be observed at V_{CC} line during fast load transients when the adapter powers the load or when the adapter is hot-plugged .

Increasing the input capacitor value decreases the overshoot at V_{CC} . Avoid overshoot voltages at V_{CC} in excess of the absolute maximum ratings for that pin.

Compensating the Loop

For the bq24702/bq24703 used as a buck converter, the best method of compensation is to use a Type II compensation network from the output of the transconductance amplifiers (COMP pin) to ground (GND) as shown in Figure 2. A Type II compensation adds a pole-zero pair and an additional pole at dc.

The Type II compensation network places a zero at

$$F_Z = \frac{1}{2} \times \left(\frac{1}{\pi \times R_{\text{COMP}} \times C_Z} \right) \text{ Hz} \quad (10)$$

and a pole at

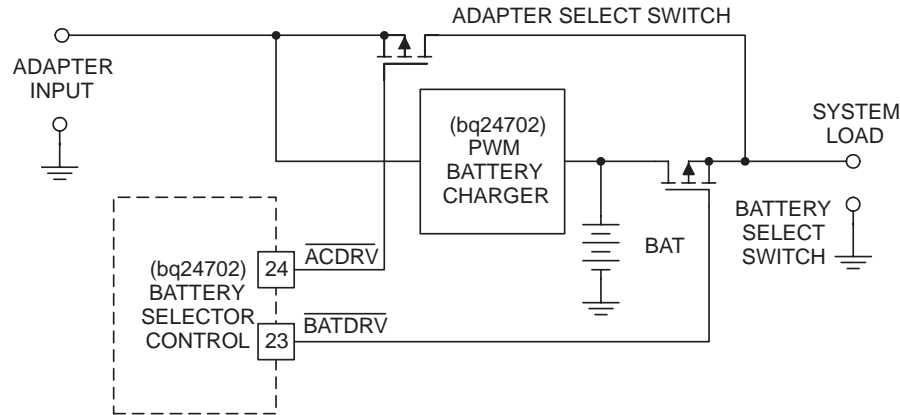
$$F_P = \frac{1}{2} \times \left(\frac{1}{\pi \times R_{\text{COMP}} \times C_P} \right) \text{ Hz} \quad (11)$$

For this battery charger application the following component values: $C_Z = 4.7 \mu\text{F}$, $C_P = 150 \text{ pF}$, and $R_{\text{COMP}} = 100 \Omega$, provides a closed loop response with more than sufficient phase margin, as long as the LC pole $[1/2 \times \text{PI} \times \text{sqrt}(I_{\text{c}})]$ is set below 10 kHz. The SRP/SRN filter (R19, R21, C8) and ACP/ACN filter (R13/R15/C3) are required to filter noise associated with the PWM switching. To avoid adding secondary poles to the PWM closed loop system those filters should be set with cutoff frequencies higher than 1 kHz.

Selector Operation

The bq24702/bq24703 allows the host controller to manually select the battery as the system's main power source, without having to remove adapter power. This allows battery conditioning through smart battery learn cycles. In addition, the bq24702/bq24703 supports autonomous supply selection during fault conditions on either supply. The selector function uses low $R_{\text{DS(on)}}$ P-channel MOSFETs for reduced voltage drops and longer battery run times.

NOTE: Selection of battery power whether manual or automatic results in the suspension of battery charging.



UDG-00119

Figure 6. Selector Control Switches

Autonomous Selection Operation

Adapter voltage information is sensed at the ACDET pin via a resistor divider from the adapter input. The voltage on the ACDET pin is compared to an internally fixed threshold. An ACDET voltage less than the set threshold is considered as a loss of adapter power regardless of the actual voltage at the adapter input. Information concerning the status of adapter power is fed back to the host controller through ACPRES. The presence of adapter power is indicated by ACPRES being set high. A loss of adapter power is indicated by ACPRES going low regardless of which power source is powering the system. During a loss of adapter power, the bq24702/bq24703 obtains operating power from the battery through the body diode of the P-channel battery select MOSFET. Under a loss of adapter power, ACPRES (normally high) goes low, if adapter power is selected to power the system, the bq24702/bq24703 automatically switches over to battery power by commanding $\overline{\text{ACDRV}}$ high and $\overline{\text{BATDRV}}$ low. During the switch transition period, battery power is supplied to the load via the body diode of the battery select P-channel MOSFET. When adapter power is restored, the bq24702/bq24703 configures the selector switches according to the state of signals; ACSEL, and ACPRES. If the ACSEL pin is left high when ac power is restored, the bq24702/bq24703 automatically switches back to ac power. To remain on battery power after ac power is restored, the ACSEL pin must be brought low.

Conversely, if the battery is removed while the system is running on battery power and adapter power is present, the bq24702/bq24703 automatically switches over to adapter power by commanding $\overline{\text{BATDRV}}$ high and $\overline{\text{ACDRV}}$ low.

NOTE: For the bq24702 any fault condition that results in the selector MOSFET switches not matching their programmed states is indicated by the ALARM pin momentarily going high. Refer to Battery Depletion Detection Section for more information on the ALARM discrete.

When switching between the ac adapter and battery the internal logic monitors the voltage at pins $\overline{\text{ACDRV}}$ and $\overline{\text{BATDRV}}$ to implement a break-before-make function, with typical dead time on the order of 150 nsec.

The turnon times for the external ac/battery switches can be increased to minimize inrush peak currents; that can be accomplished by adding external resistors in series with the MOSFET gates (R18 and R26). Note, however, that adding those resistors effectively disables the internal break-before-make function for ac/battery-switches, as the MOSFET gate voltages can not be monitored directly. If external resistors are added to increase the rise/fall times for battery/ac switches the break-before-make has to be implemented with discrete external components, to avoid shoot-through currents between ac adapter and battery pack. This functionality can be implemented by adding diodes (D2/D9) that bypass the external resistors when turning off the external FETs.

Smart Learn Cycles When Adapter Power Is Present

Smart learn cycles can be conducted when adapter power is present by asserting and maintaining the ACSEL pin low. The adapter power can be reselected at the end of the learn cycle by a setting ACSEL to a logic high, provided that adapter power is present. Battery charging is suspended while selected as the system power source.

NOTE: *On the bq24703 the ac adapter is switched to the load when the battery voltage reaches the battery depleted threshold; it can be used when the learn cycle does not require the battery voltage to go below the battery depleted threshold. If the learn cycle algorithm requires the battery voltage to go lower than the battery depleted voltage, the bq24702 should be used, as it does not switch the ac adapter to load upon battery depleted detection.*

System Break Before Make Function

When selecting the battery as the system primary power source, the adapter power select MOSFET turns off, in a *break-before-make* fashion, before the battery select MOSFET turns on. To ensure that this happens under all load conditions, the system voltage (load voltage) can be monitored through a resistor divider on the VS pin. This function provides protection against switching over to battery power if the adapter selector switch were shorted and adapter power present. Setting the VS resistive divider gain with the same gain selected for the B ATP resistive divider assures the battery switch is turned on only when the system voltage is equal or less than the battery voltage. This function can be eliminated by grounding the VS pin.

The ACDET function senses the adapter voltage via a resistive divider (refer to application circuit). The divider can be connected either to the anode of the input blocking diode (directly to the adapter supply) or to the cathode of the input blocking diode (bq24702/3 VCC pin). When the divider is connected to the adapter supply, the adapter power removal is immediately identified and the sleep mode is entered, disabling the break-before-make function for system voltage (see section for system power switching) and coupling system voltage to the battery line. In normal operation with a battery present, the battery low impedance prevents any over-voltage conditions. However, if a pack is not present or the pack is open, the battery line voltage has a transient equal to the adapter voltage. The bq24703 SRP/SRN pins are designed to withstand this over-voltage condition, but avoid connection to the battery line of any external devices that are not rated to withstand the adapter voltage.

Connecting the ACDET resistive divider input to the VCC node keeps the system break-before-make function enabled until the voltage at pin VS is lower than the voltage at pin B ATP. However, note that when using this topology the VCC pin voltage can be held by capacitive loads at either the VCC or system (ac switch is on) nodes when the ac adapter is removed. As the ACDET divider is connected to the VCC line there is a time delay from ac adapter removal to ac adapter removal detection by the IC. This time is dependent on load conditions and capacitive load values at VCC and system lines.

Battery Depletion Detection

The bq24702/bq24703 provides the host controller with a battery depletion discrete, the ALARM pin, to alert the host when a depleted battery condition occurs. The battery depletion level is set by the voltage applied to the BATDEP pin through a voltage divider network. The ALARM output asserts high and remains high as long as the battery deplete condition exists, regardless of the power source selected.

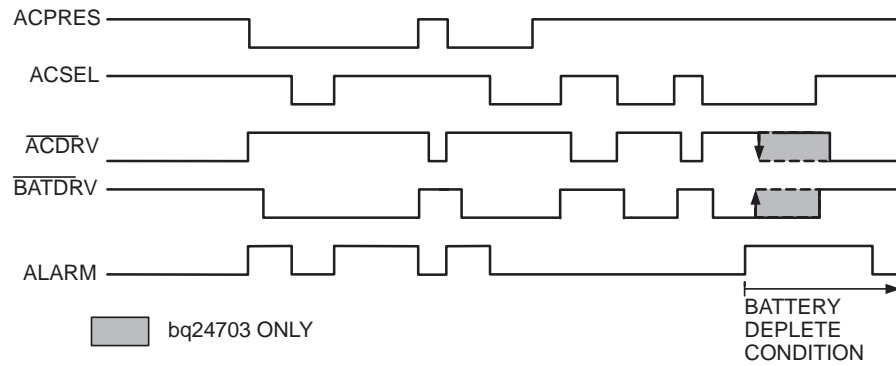
For the bq24702, the host controller must take appropriate action during a battery deplete condition to select the proper power source. The bq24702 remains on the selected power source. The bq24703, however, automatically reverts over to adapter power, provided the adapter is present, during a deep discharge state. The battery is considered as being in a deep discharge state when the battery voltage is less than $(0.8 \times \text{depleted level})$.

Feature sets for the bq24702 and bq24703 are detailed in Table 1.

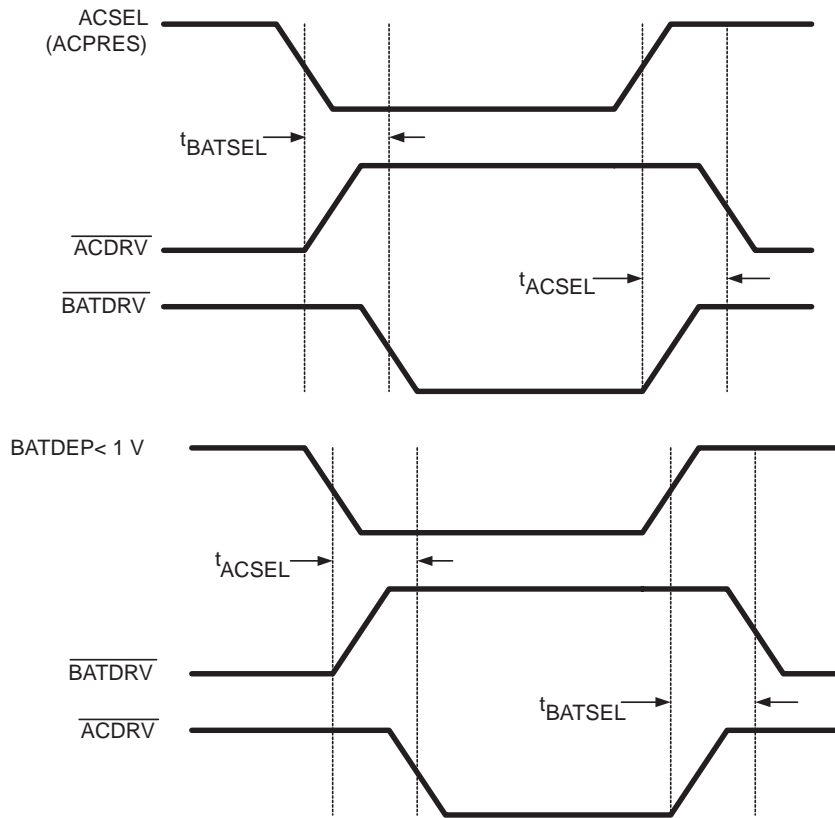
SELECTOR/ALARM TIMING EXAMPLE

The selector and ALARM timing example in Figure 7 illustrates the battery conditioning support.

NOTE: For manual selection of wall power as the main power source, both the ACPRES and ACSEL signals must be a logic high.



UDG-00122



UDG-00120

Figure 7. Battery Selector and ALARM Timing Diagram

PWM SELECTOR SWITCH GATE DRIVE

Because the external P-channel MOSFETs (as well as the internal MOSFETs) have a maximum gate-source voltage limitation of the input voltage, VCC, cannot be used directly to drive the MOSFET gate under all input conditions. To provide safe MOSFET-gate-drive at input voltages of less than an intermediate gate drive voltage rail was established (VSHP). Where $V_{HSP} = VCC - 10\text{ V}$. This ensures adequate enhancement voltage across all operating conditions.

An external zener diode (D3) connected between VCC and VHSP is required for transient protection; its breakdown voltage should be above the maximum value for internal VHSP/VCC clamp voltage for all operating conditions.

TRANSIENT CONDITIONS AT SYSTEM, OVER-VOLTAGE AT SYSTEM TERMINAL

Overshoot conditions can be observed at the system terminal due to fast load transients and inductive characteristics of the system terminal to load connection. An overshoot at the system terminal can be directly coupled to the VCC and VBAT nodes, depending on the switch mode of operation. If the capacitors at VBAT and VCC can not reduce this overshoot to values below the absolute maximum ratings, it is recommended that an additional capacitor is added to the system terminal to avoid damage to IC or external components due to voltage overstress under those transient conditions.

AC ADAPTER COLLAPSING DUE TO TRANSIENT CONDITIONS

The ac adapter voltage collapses when the ac switch is on and a current load transient at the system exceeds the adapter current limit protection. Under those conditions the ac switch is turned off when the ac adapter voltage falls below the ac adapter detection threshold. If the system terminal to load impedance has an inductive characteristic, a negative voltage spike can be generated at the system terminal and coupled into the battery line via the battery switch backgate diode.

In normal operation, with a battery present, this is not an issue, as the low battery impedance holds the voltage at battery line. However, if a battery is not present or the pack protector switches are open the negative spike at the system terminal is directly coupled to the SRP/SRN pins via the R19/R21 resistors.

Avoid damage to the SRP/SRN pins if this transient condition happens in the application. If a negative voltage spike happens at system terminal and R19/R21 limit the current sourced from the pin to less than -50 mA ($I_{pin} = V_{system}/R_{19}$), the pins SRP/SRN are not damaged and the external protection schottky diodes are not required. However, if the current under those transient conditions exceeds -50 mA , external schottky diodes must be added to clamp the voltage at pins SRP/SRN so they do not exceed the absolute maximum ratings specified (-0.3 V).

IBAT AMPLIFIER

A filter with a cutoff frequency smaller than 10 kHz should be added to the IBAT output to remove switching noise.

POWER DISSIPATION CALCULATION

During PWM operation, the power dissipated internally to the IC increases as the internal driver is switching the PWM FET on/off. The power dissipation figures are dependent on the external FET used, and can be calculated using the following equation:

$$P_d(\text{max}) = [I_{DDOP} + Q_g \times F_s(\text{max})] \times V_{ADAP}$$

where:

Q_g = Total gate charge for selected PWM MOSFET

I_{DDOP} = Maximum quiescent current for IC

V_{ADAP} = Maximum adapter voltage

$F_s(\text{max})$ = Maximum PWM switching frequency

The maximum junction temperature for the IC must be limited to 125°C, under worst case conditions.

TYPICAL CHARACTERISTICS

ERROR AMPLIFIER REFERENCE
vs
JUNCTION TEMPERATURE

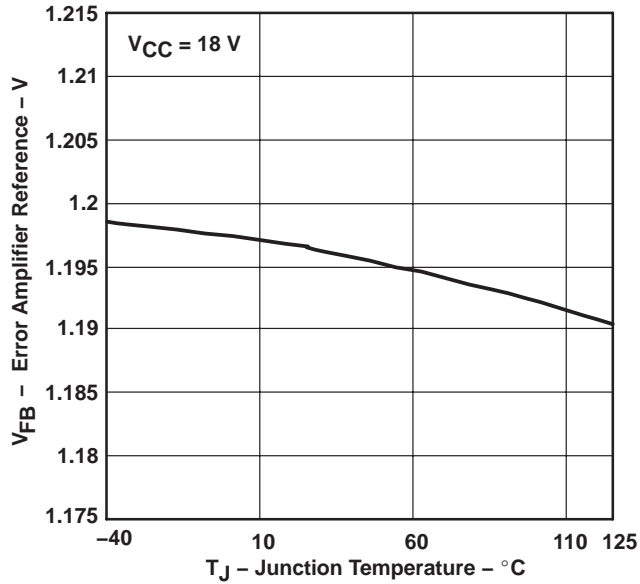


Figure 8

BYPASSED 5-V REFERENCE
vs
JUNCTION TEMPERATURE

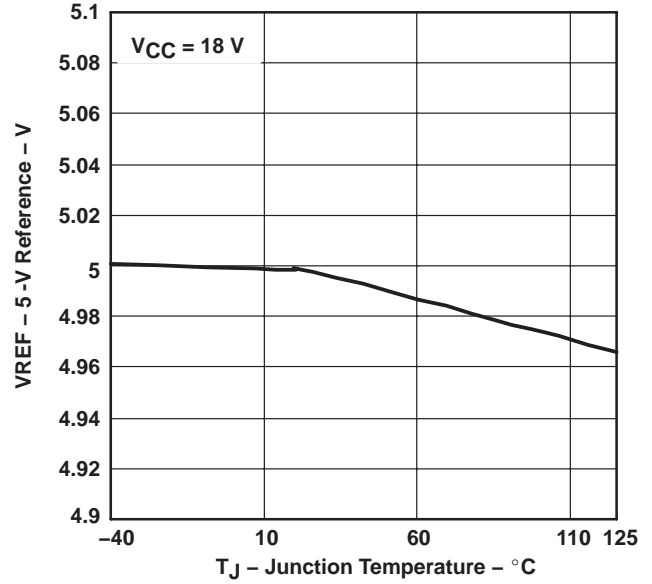


Figure 9

TOTAL SLEEP CURRENT
vs
JUNCTION TEMPERATURE

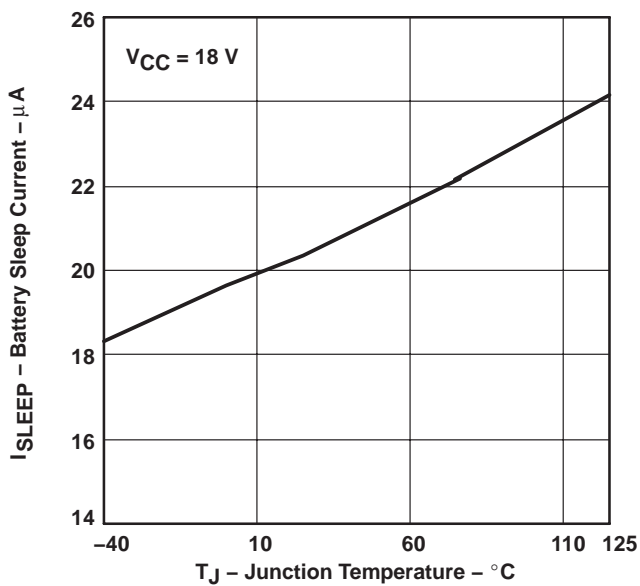


Figure 10

OSCILLATOR FREQUENCY
vs
JUNCTION TEMPERATURE

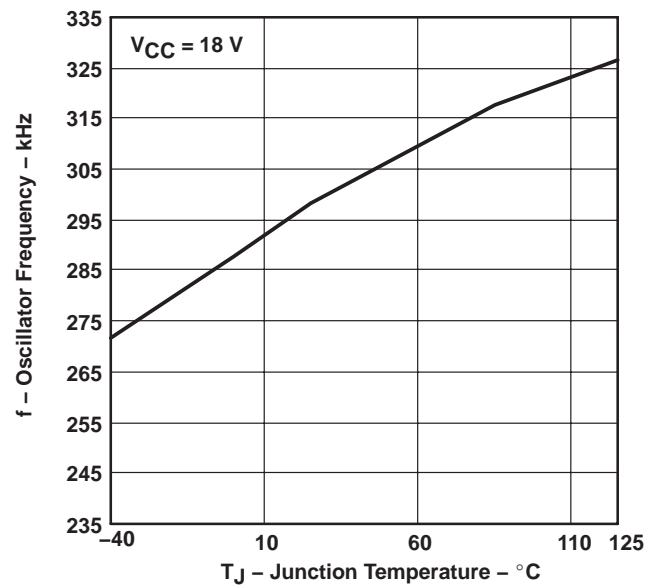


Figure 11

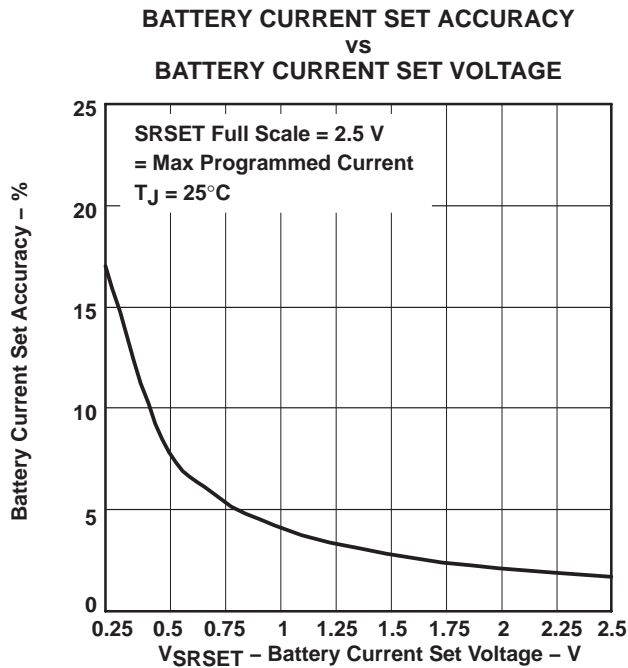


Figure 12

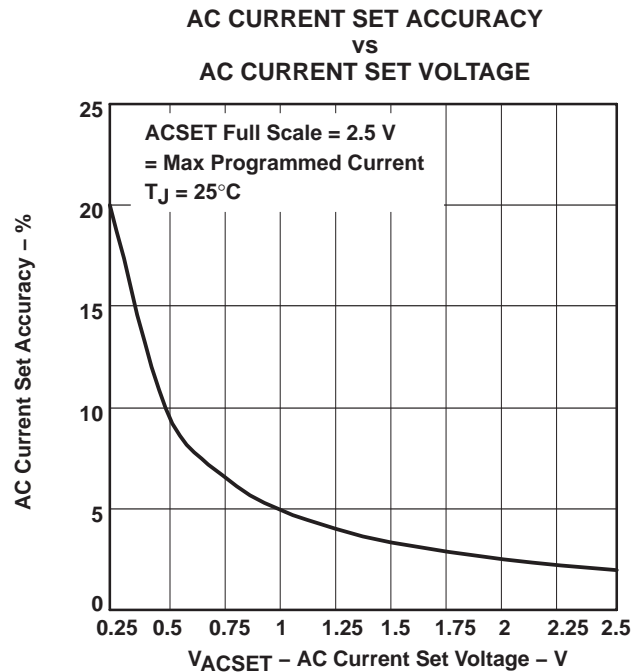


Figure 13

BOARD LAYOUT GUIDELINES

Recommended Board Layout

Follow these guidelines when implementing the board layout:

1. Do not place lines and components dedicated to battery/adaptor voltage sensing (ACDET, BATDEP, VS), voltage feedback loop (BATP, BATSET if external reference is used) and shunt voltage sensing (SRP/SRN/ACP/ACN) close to lines that have signals with high dv/dt (PWM, BATDRV, ACDRV, VHSP) to avoid noise coupling.
2. Add filter capacitors for SRP/SRN (C8) and ACP/ACN (C3) close to IC pins
3. Add Reference filter capacitor C1 close to IC pins
4. Use an isolated, clean ground for IC ground pin and resistive dividers used in voltage sensing; use an isolated power ground for PWM filter cap and diode (C11/D4). Connect the grounds to the battery PACK- and adapter GND.
5. Place C7 close to VCC pin.
6. Place input capacitor C12 close to PWM switch (U3) source and R14.
7. Position ac switch (U2) to minimize trace length from ac switch source to input capacitor C12.
8. Minimize inductance of trace connecting PWM pin and PWM external switch U3 gate
9. Maximize power dissipation planes connected to PWM switch
10. Maximize power dissipation planes connected to SRP resistor if steady state in zero volt mode is possible
11. Maximize power dissipation planes connected to D1

PACKAGING INFORMATION

| Orderable Device | Status ⁽¹⁾ | Package Type | Package Drawing | Pins | Package Qty | Eco Plan ⁽²⁾ | Lead/Ball Finish | MSL Peak Temp ⁽³⁾ |
|------------------|-----------------------|--------------|-----------------|------|-------------|-------------------------|------------------|------------------------------|
| BQ24702PW | ACTIVE | TSSOP | PW | 24 | 60 | Green (RoHS & no Sb/Br) | CU NIPDAU | Level-1-260C-UNLIM |
| BQ24702PWG4 | ACTIVE | TSSOP | PW | 24 | 60 | Green (RoHS & no Sb/Br) | CU NIPDAU | Level-1-260C-UNLIM |
| BQ24702PWR | ACTIVE | TSSOP | PW | 24 | 2000 | Green (RoHS & no Sb/Br) | CU NIPDAU | Level-1-260C-UNLIM |
| BQ24702PWRG4 | ACTIVE | TSSOP | PW | 24 | 2000 | Green (RoHS & no Sb/Br) | CU NIPDAU | Level-1-260C-UNLIM |
| BQ24703PW | ACTIVE | TSSOP | PW | 24 | 60 | Green (RoHS & no Sb/Br) | CU NIPDAU | Level-1-260C-UNLIM |
| BQ24703PWR | ACTIVE | TSSOP | PW | 24 | 2000 | Green (RoHS & no Sb/Br) | CU NIPDAU | Level-1-260C-UNLIM |
| BQ24703PWRG4 | ACTIVE | TSSOP | PW | 24 | 2000 | Green (RoHS & no Sb/Br) | CU NIPDAU | Level-1-260C-UNLIM |
| BQ24703RHDR | ACTIVE | QFN | RHD | 28 | 3000 | Green (RoHS & no Sb/Br) | CU NIPDAU | Level-2-260C-1 YEAR |
| BQ24703RHDRG4 | ACTIVE | QFN | RHD | 28 | 3000 | Green (RoHS & no Sb/Br) | CU NIPDAU | Level-2-260C-1 YEAR |

⁽¹⁾ The marketing status values are defined as follows:

ACTIVE: Product device recommended for new designs.

LIFEBUY: TI has announced that the device will be discontinued, and a lifetime-buy period is in effect.

NRND: Not recommended for new designs. Device is in production to support existing customers, but TI does not recommend using this part in a new design.

PREVIEW: Device has been announced but is not in production. Samples may or may not be available.

OBsolete: TI has discontinued the production of the device.

⁽²⁾ Eco Plan - The planned eco-friendly classification: Pb-Free (RoHS) or Green (RoHS & no Sb/Br) - please check <http://www.ti.com/productcontent> for the latest availability information and additional product content details.

TBD: The Pb-Free/Green conversion plan has not been defined.

Pb-Free (RoHS): TI's terms "Lead-Free" or "Pb-Free" mean semiconductor products that are compatible with the current RoHS requirements for all 6 substances, including the requirement that lead not exceed 0.1% by weight in homogeneous materials. Where designed to be soldered at high temperatures, TI Pb-Free products are suitable for use in specified lead-free processes.

Green (RoHS & no Sb/Br): TI defines "Green" to mean Pb-Free (RoHS compatible), and free of Bromine (Br) and Antimony (Sb) based flame retardants (Br or Sb do not exceed 0.1% by weight in homogeneous material)

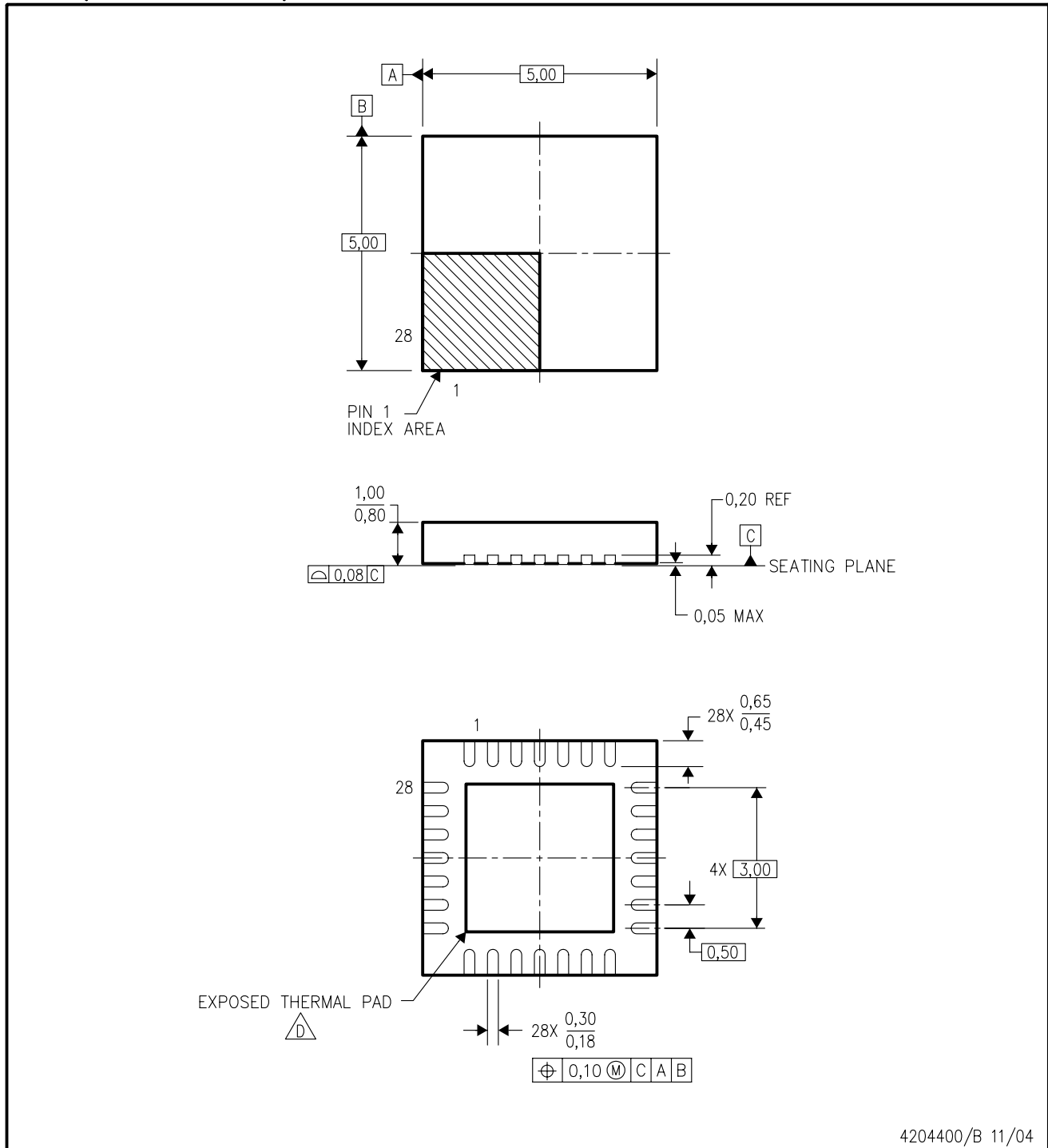
⁽³⁾ MSL, Peak Temp. -- The Moisture Sensitivity Level rating according to the JEDEC industry standard classifications, and peak solder temperature.

Important Information and Disclaimer:The information provided on this page represents TI's knowledge and belief as of the date that it is provided. TI bases its knowledge and belief on information provided by third parties, and makes no representation or warranty as to the accuracy of such information. Efforts are underway to better integrate information from third parties. TI has taken and continues to take reasonable steps to provide representative and accurate information but may not have conducted destructive testing or chemical analysis on incoming materials and chemicals. TI and TI suppliers consider certain information to be proprietary, and thus CAS numbers and other limited information may not be available for release.


In no event shall TI's liability arising out of such information exceed the total purchase price of the TI part(s) at issue in this document sold by TI to Customer on an annual basis.

RHD (S-PQFP-N28)

PLASTIC QUAD FLATPACK



4204400/B 11/04

- NOTES:
- A. All linear dimensions are in millimeters. Dimensioning and tolerancing per ASME Y14.5M-1994.
 - B. This drawing is subject to change without notice.
 - C. QFN (Quad Flatpack No-Lead) Package configuration.
 -  D. The package thermal pad must be soldered to the board for thermal and mechanical performance. See the Product Data Sheet for details regarding the exposed thermal pad dimensions.
 - E. Falls within JEDEC MO-220.

PW (R-PDSO-G**)

PLASTIC SMALL-OUTLINE PACKAGE

14 PINS SHOWN



4040064/F 01/97

- NOTES: A. All linear dimensions are in millimeters.
 B. This drawing is subject to change without notice.
 C. Body dimensions do not include mold flash or protrusion not to exceed 0,15.
 D. Falls within JEDEC MO-153

IMPORTANT NOTICE

Texas Instruments Incorporated and its subsidiaries (TI) reserve the right to make corrections, modifications, enhancements, improvements, and other changes to its products and services at any time and to discontinue any product or service without notice. Customers should obtain the latest relevant information before placing orders and should verify that such information is current and complete. All products are sold subject to TI's terms and conditions of sale supplied at the time of order acknowledgment.

TI warrants performance of its hardware products to the specifications applicable at the time of sale in accordance with TI's standard warranty. Testing and other quality control techniques are used to the extent TI deems necessary to support this warranty. Except where mandated by government requirements, testing of all parameters of each product is not necessarily performed.

TI assumes no liability for applications assistance or customer product design. Customers are responsible for their products and applications using TI components. To minimize the risks associated with customer products and applications, customers should provide adequate design and operating safeguards.

TI does not warrant or represent that any license, either express or implied, is granted under any TI patent right, copyright, mask work right, or other TI intellectual property right relating to any combination, machine, or process in which TI products or services are used. Information published by TI regarding third-party products or services does not constitute a license from TI to use such products or services or a warranty or endorsement thereof. Use of such information may require a license from a third party under the patents or other intellectual property of the third party, or a license from TI under the patents or other intellectual property of TI.

Reproduction of information in TI data books or data sheets is permissible only if reproduction is without alteration and is accompanied by all associated warranties, conditions, limitations, and notices. Reproduction of this information with alteration is an unfair and deceptive business practice. TI is not responsible or liable for such altered documentation.

Resale of TI products or services with statements different from or beyond the parameters stated by TI for that product or service voids all express and any implied warranties for the associated TI product or service and is an unfair and deceptive business practice. TI is not responsible or liable for any such statements.

Following are URLs where you can obtain information on other Texas Instruments products and application solutions:

| Products | | Applications | |
|------------------|--|---------------------|--|
| Amplifiers | amplifier.ti.com | Audio | www.ti.com/audio |
| Data Converters | dataconverter.ti.com | Automotive | www.ti.com/automotive |
| DSP | dsp.ti.com | Broadband | www.ti.com/broadband |
| Interface | interface.ti.com | Digital Control | www.ti.com/digitalcontrol |
| Logic | logic.ti.com | Military | www.ti.com/military |
| Power Mgmt | power.ti.com | Optical Networking | www.ti.com/opticalnetwork |
| Microcontrollers | microcontroller.ti.com | Security | www.ti.com/security |
| | | Telephony | www.ti.com/telephony |
| | | Video & Imaging | www.ti.com/video |
| | | Wireless | www.ti.com/wireless |

Mailing Address: Texas Instruments
Post Office Box 655303 Dallas, Texas 75265