

REPLACES

RELEASE NO.

CHECK

CHECK

CHECK

DRAWN
DMS/CAD

DCS

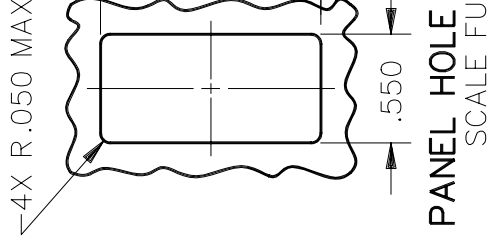
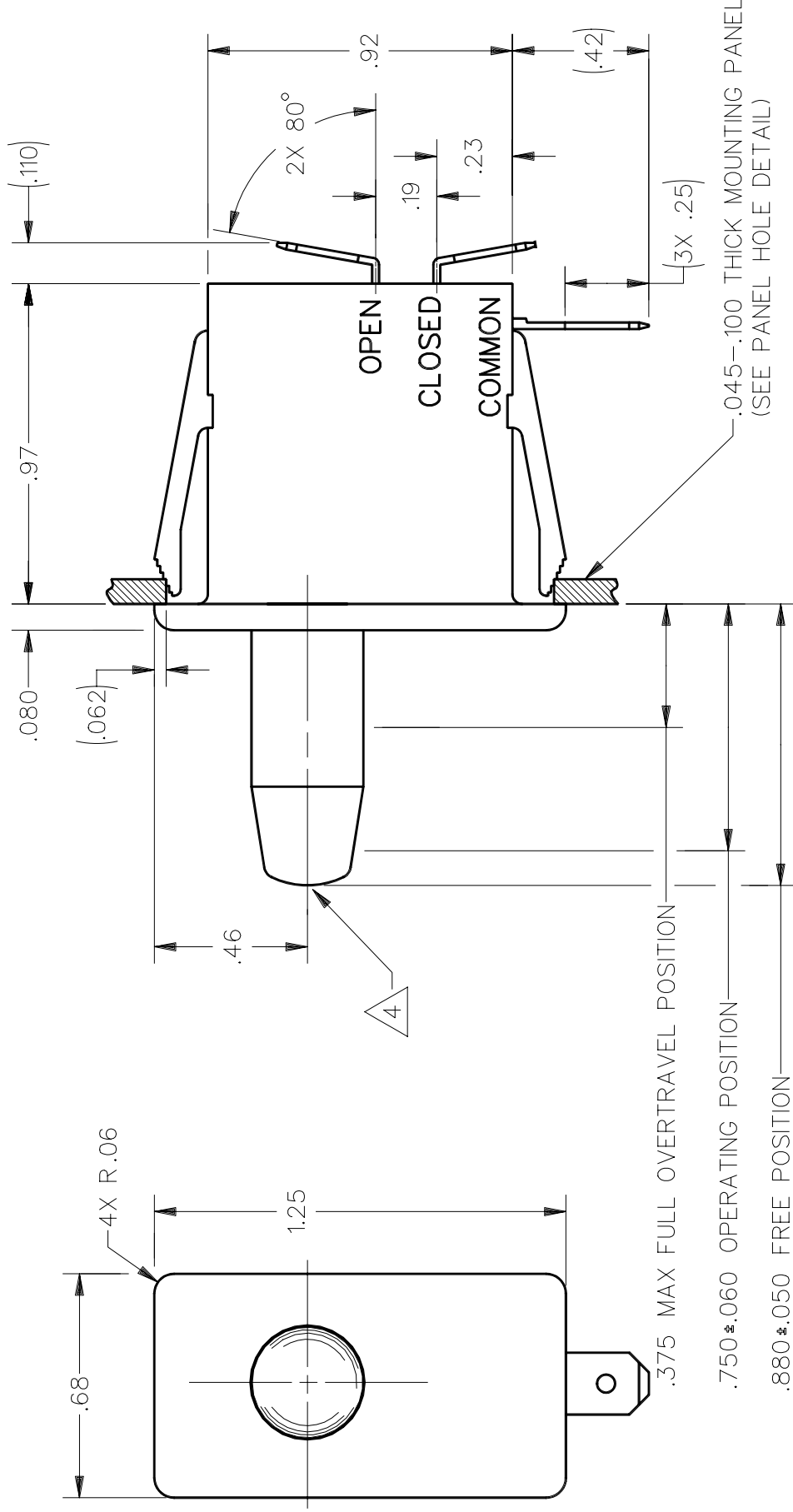
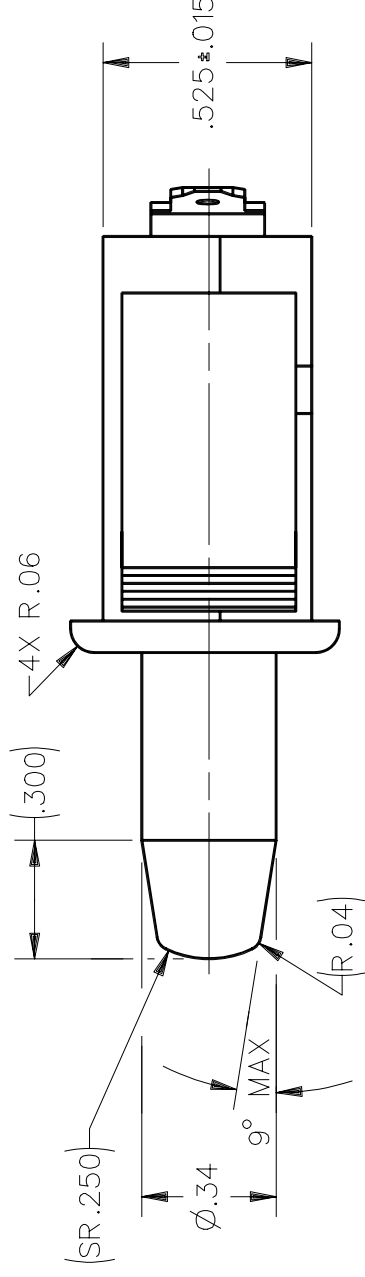
20 APR 92

CATALOG LISTING
1DM1

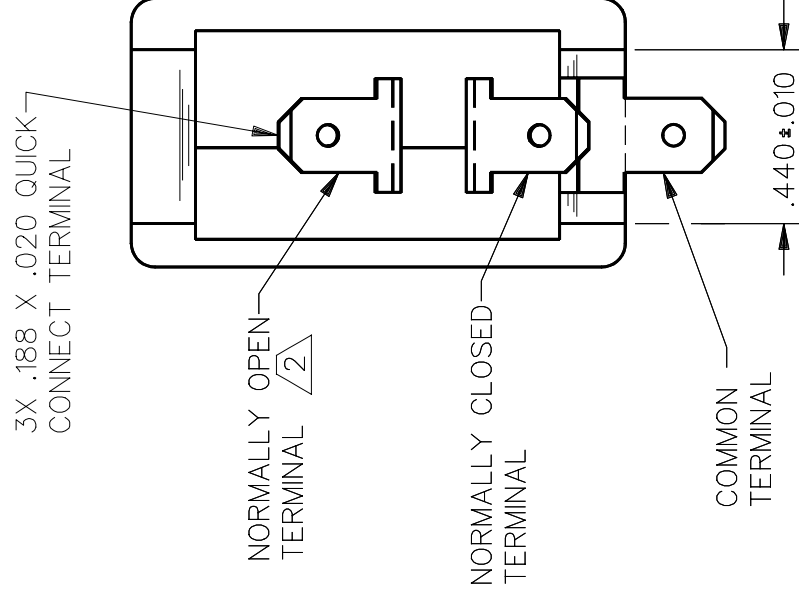
M

ISSUE
13

REVISIONS
A CO-
A 172328
DCS
20 APR 92



PANEL HOLE DETAIL
SCALE FULL



| | | |
|--|----------------------------|--|
| THIS DRAWING COVERS A PROPRIETARY ITEM AND IS THE PROPERTY OF MICRO SWITCH. A DIVISION OF HONEYWELL. THIS DRAWING IS NOT TO BE COPIED OR USED WITHOUT THE APPROVAL OF MICRO SWITCH | | THIRD ANGLE PROJECTION |
| ELECTRICAL DATA | | SCALE 2 TO 1 |
| CONTACT ARRANGEMENT | | DO NOT SCALE PRINT |
| S P D T | | UNLESS OTHERWISE SPECIFIED TOLERANCES ARE |
| L181 | ONE PLACE (.) ±.030 | |
| 10A 1/2HP 125, 250 OR 277 VAC | TWO PLACE (.00) ±.015 | |
| | THREE PLACE (.000) ±.005 | |
| | ANGLES ± 5° | |
| | WEIGHT | |

| | |
|----------------------------------|-----------------|
| CHARACTERISTICS | |
| OPERATING FORCE | --- 15 OZ MAX |
| RELEASE FORCE | --- 3 OZ MIN |
| DIFFERENTIAL TRAVEL | --- .045 APPROX |
| OVERTRAVEL | --- .375 MIN |
| PLUNGER FORCE AT .375 OVERTRAVEL | 21 OZ MAX |

NOTES

- 1 - WHITE PLASTIC CASE AND PLUNGER
- 2 - FLAG STYLE QUICK CONNECT RECEPTACLE REQUIRED FOR NORMALLY OPEN TERMINAL IF SWITCH IS WIRED BEFORE MOUNTING
- 3 - NOMINAL CUTOUT DIMENSION FOR PANELS BETWEEN .045 AND .100 SHOULD BE INTERPOLATED BETWEEN 1.115 AND 1.125
- 4 - PUSH TO OPERATE - MOMENTARY