

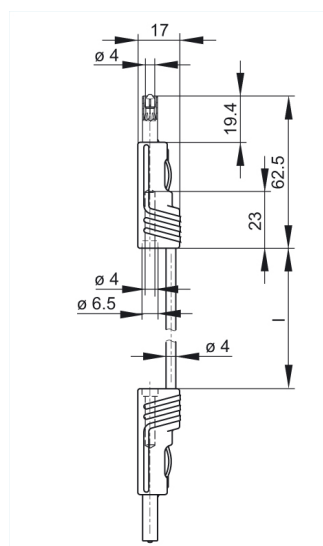
MLB 100/1 V rot/red

Measuring and Testing Equipment: Measuring leads: 4 mm sliding sleeve system

Product description

Description	Contact-protected measuring lead, at either end: 4 mm diameter plug, insulated by latching and sprung insulating sleeve which is only released by pressure on the side-mounted locking spring. 4 mm diameter nickel-plated. Highly flexible, double insulated stranded conductor. Color indicator for the recognition of damage to the isolation. Socket to the far plug-inness.
Type	MLB 100/1 V rot/red
Order No.	973 646-101
System	4 mm sliding sleeve system
Cable length	100 cm
Conductor size	1 mm ²
Cable material	PVC
Cable color	red
Housing Color	red
Other standard types	black color, order no. 973 646-100; blue color, order no. 973 646-102; yellow color, order no. 973 646-103; green color, order no. 973 646-104; yellow color/grün, order no. 973 646-188

Drawing



Technical data

Pin dimensions	4 mm
Type of contact	pin (spring loaded)
Type of termination	4 mm diameter pin and socket
Cable type	LEH-XY
Cable specification	highly flexible lead
Wire stranding	259 x 0,07
Rated voltage	DC 60 V
Rated current	16 A
Contact resistance	22 mOhm
Material	
Contact material	copper beryllium
Contact surface material	nickel-plated
Environmental conditions	
Temperature range	-15 °C to +70 °C
Inflammability class	
Cable	94 HB