

Honeywell



Representative photograph, actual product appearance may vary.

Due to regional agency approval requirements, some products may not be available in your area. Please contact your regional Honeywell office regarding your product of choice.

640ES103A06NAAY

TH100 Rotary Position Transducer, 90 degrees Mechanical Travel, 10,000 Ohms Resistance value

Features

- Long rotational life
- Economical package
- Sealed construction
- High rotational torque

Typical Applications

- Marine controls
- Off-road vehicles

Description

The TH100 Series puts Honeywell's proven variable-resistor technology to work in angle-management applications such as control-lever sensing and equipment position feedback. High performance and low cost make it attractive for a wide range of applications. Special electrical and mechanical configurations, including dual tracks, D-shape rotor holes, etc. are available on special order.



640ES103A06NAAY

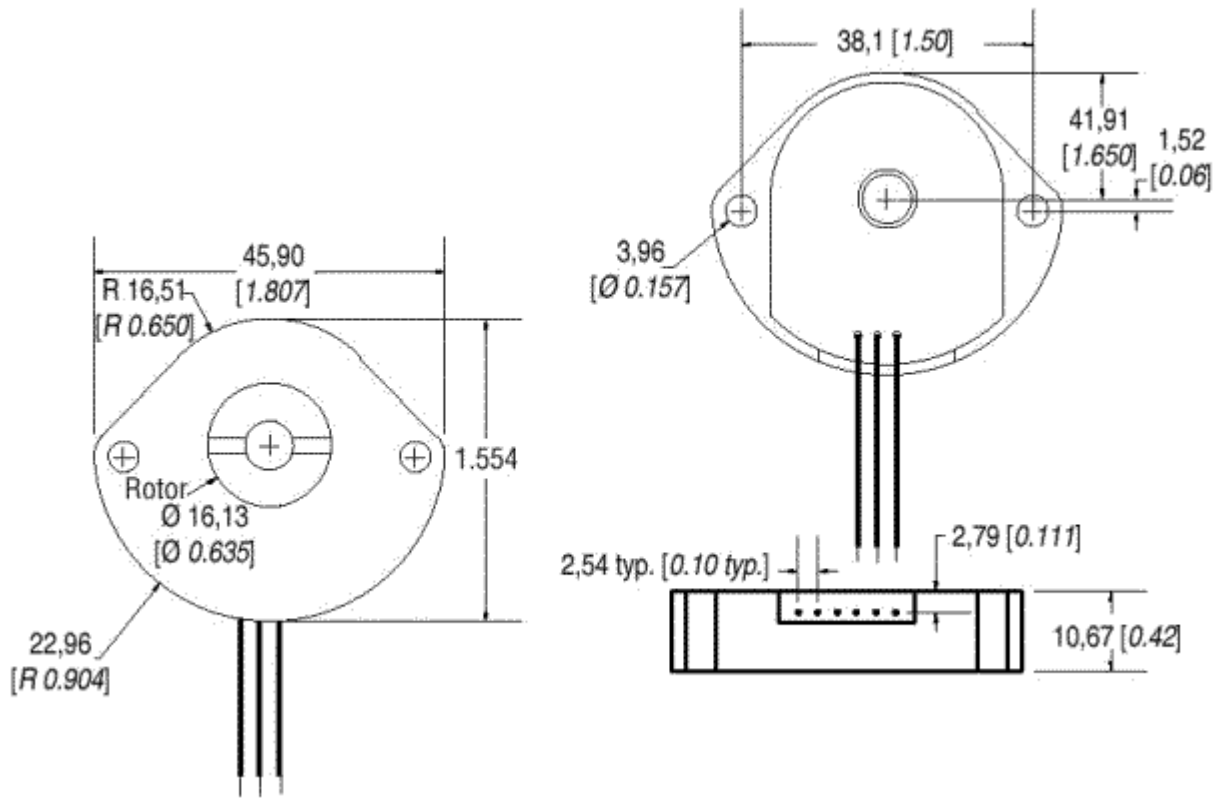
TH100 Rotary Position Transducer, 90 degrees Mechanical Travel, 10,000 Ohms Resistance value

Product Specifications	
Supply Voltage	350 Vdc max.
Measurement Type	Rotary
Housing Size	39,47 mm [1.55 in] x 45,72 mm [1.8 in]
Total Mechanical Travel	90°
Electrical Travel	80°
Linearity	± 5 %
Shaft Material	Plastic
Shaft Diameter	6,35 mm [0.25 in] thru hole with 2,67 mm [.105 in] wide x 2,29 mm [.09 in] diameter slot
Type of Element	Conductive plastic
Housing Style	Plastic
Termination	Three 20 AWG, 152,4 mm [6.0 in] wire leads
Operating Temperature Range	-40 °C to 120 °C [-40 °F to 248 °F]
Vibration	15 g at 50 Hz to 1000 Hz
Shock	50 g half sine
Operating Life	one million full cycles
Total Resistance	10,000 Ohms
Resistance Tolerance	± 15 %
Dielectric Strength	500 V rms
Sealing	Withstands hose-directed water spray and immersion at limited depth
UNSPSC Code	41111937
UNSPSC Commodity	41111937 Rotary position sensors
Availability	Global
Comments	0.5 W max. Power Rating
Series Name	TH100 Series



640ES103A06NAAY

TH100 Rotary Position Transducer, 90 degrees Mechanical Travel, 10,000 Ohms Resistance value



Honeywell

640ES103A06NAAY

TH100 Rotary Position Transducer, 90 degrees Mechanical Travel, 10,000 Ohms Resistance value

WARNING

PERSONAL INJURY

DO NOT USE these products as safety or emergency stop devices, or in any other application where failure of the product could result in personal injury.

Failure to comply with these instructions could result in death or serious injury.

WARNING

MISUSE OF DOCUMENTATION

- The information presented in this product sheet (or catalog) is for reference only. DO NOT USE this document as product installation information.
- Complete installation, operation and maintenance information is provided in the instructions supplied with each product.

Failure to comply with these instructions could result in death or serious injury.

© Copyright Honeywell Inc.1998-2004 All rights reserved.