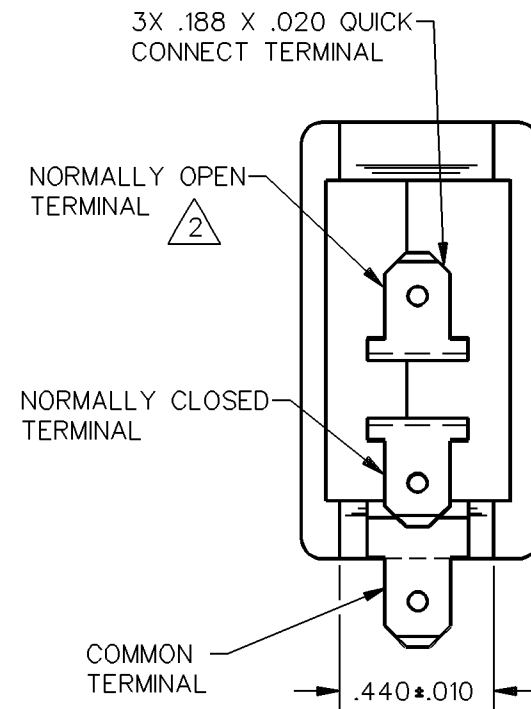
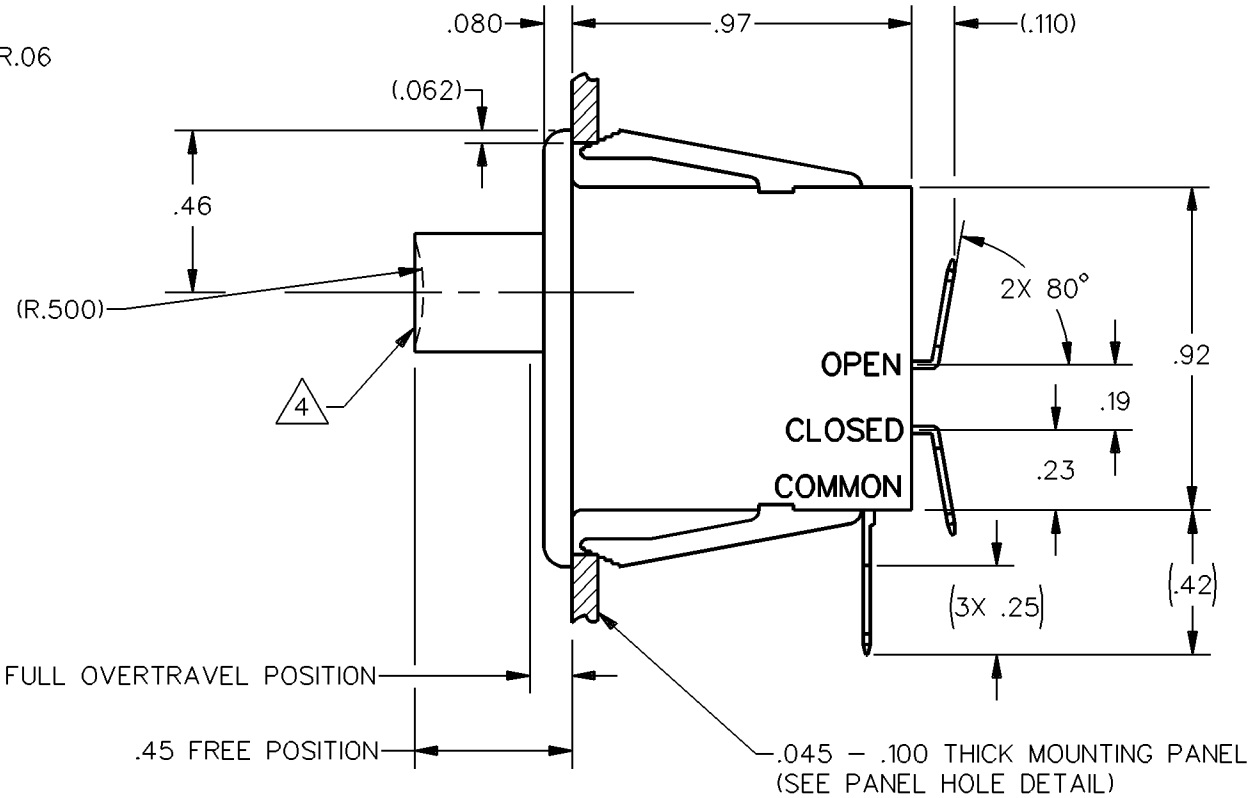
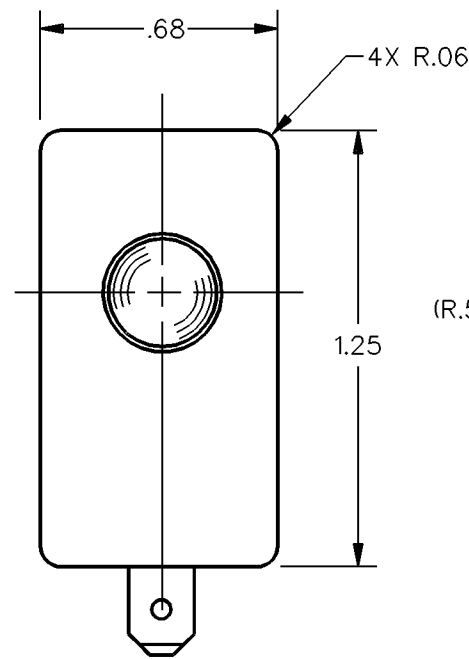
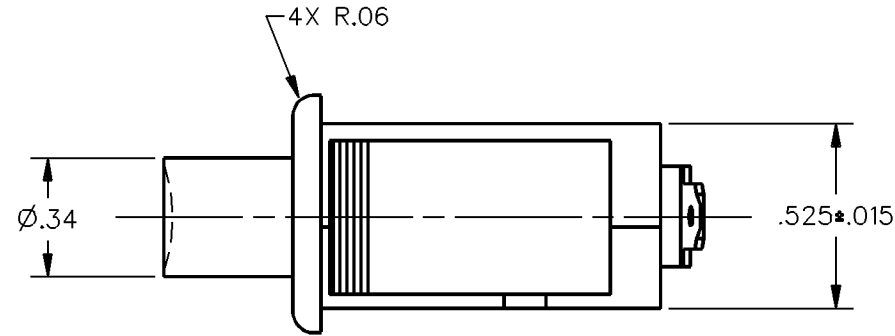
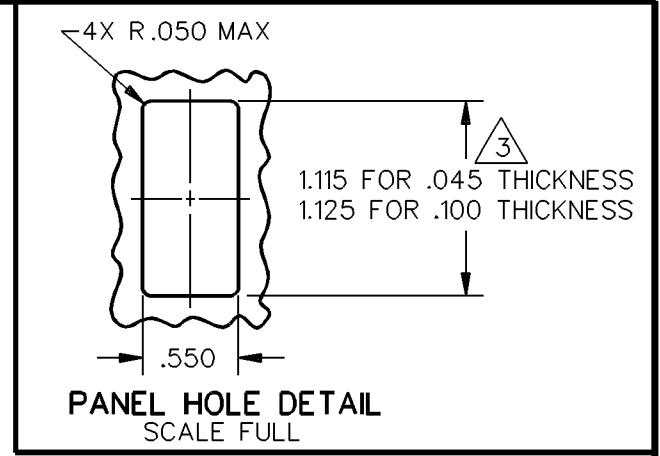


MICRO SWITCH
a Honeywell Division
FED. MFG. CODE 91929

SWITCH - BASIC

CATALOG LISTING
1DM18



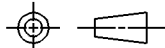
.120 MAX FULL OVERTRAVEL POSITION

.45 FREE POSITION

CATALOG LISTING 1DM18
ISSUE 5
REVISIONS
A CO-72328
DHD
13 JUL 92
CHECK
CHECK
DRAWN
DHD
13 JUL 92
DMM/CAD

THIS DRAWING COVERS A PROPRIETARY ITEM AND IS THE PROPERTY OF MICRO SWITCH, A DIVISION OF HONEYWELL. THIS DRAWING IS NOT TO BE COPIED OR USED WITHOUT THE APPROVAL OF MICRO SWITCH

THIRD ANGLE PROJECTION



SCALE 2 TO 1

DO NOT SCALE PRINT

UNLESS OTHERWISE SPECIFIED TOLERANCES ARE

ONE PLACE (.0) ± .030
TWO PLACE (.00) ± .015
THREE PLACE (.000) ± .005
ANGLES ± 5°

WEIGHT

CHARACTERISTICS

OPERATING FORCE - - - - - 15 OZ MAX

ELECTRICAL DATA

CONTACT ARRANGEMENT
S P D T

L181

10A 1/2HP 125, 250 OR 277 VAC



NOTES

- 1 - GRAY PLASTIC CASE AND BLACK PLASTIC PLUNGER
- 2 - FLAG STYLE QUICK CONNECT RECEPTACLE REQUIRED FOR NORMALLY OPEN TERMINAL IF SWITCH IS WIRED BEFORE MOUNTING
- 3 - NOMINAL CUTOUT DIMENSION FOR PANELS BETWEEN .045 AND .100 SHOULD BE INTERPOLATED BETWEEN 1.115 AND 1.125
- 4 - PUSH TO OPERATE - MOMENTARY

ANSI Y14.5M-1982 APPLIES