

7229446

WL 150 Photoelectric reflex switches with polarisation filter

	WL 150 -P	-N
Connection type	2 m connection cable	
Equipment designation	WL 150-P 132	WL 150-N 132
Order No.	6 011 036	6 011 033
Connection type	Equipment plug M 8-4 pin	
Equipment designation	WL 150-P 430	WL 150-N 430
Order No.	6 011 038	6 011 035
Typical maximum range	0.005 ... 2.8 m ; with PL80A reflector	
Recommended Operational Ranges RW	0.01 ... 2.0 m ; with PL80A reflector	
	0.01 ... 1.5 m ; with P250 reflector	
	0.01 ... 0.8 m ; with PL20A reflector (supplied)	
	0.01 ... 0.5 m ; with Diamond Grade reflective tape, 35 x 35 mm	
Polarisiering filter	Yes	
Light spot diameter	Approx. 150 mm at 1.5 m distance	
Aperture angle	Approx. 6°	
Sensitivity control	Potentiometer, 270°	
Light sender	LED, visible red light with polarising filter	
Supply voltage V_S	DC 10 ... 30 V ¹⁾	
Current consumption (without load)	max. 20 mA	
Light receiver switching mode	Light/Dark switching with control wire ²⁾	
Switching outputs open collector	PNP	NPN
Signal voltage HIGH	$V_S - (\leq 1.5 \text{ V})$	approx. V_S
Signal voltage LOW	Approx. 0 V	$\leq 1.5 \text{ V}$
Output current max.	100 mA	
Time delay (max.), Switching frequency (min)	0.5 ms; 1000/s	
VDE Protection class	III	
Protection type (IEC 144)	IP 67 (IEC 144)	
Protection circuits ³⁾	A, B, C, D	
Ambient operating temperature T_A	- 25 ... + 55 °C	
Storage temperature T_S	- 40 ... + 70 °C	
Equipment plug	M 8-4 pin	
Connection cable	PVC, 2 m, 4 x 0,18 mm ² , \varnothing 3,5 mm	
Weight with equipment plug with 2 m connection cable	7 g 44 g	

1) Limit values, ripple max. $\pm 10 \%$

2) Control wire open

NPN: light switching

PNP: dark switching

control wire + V: light switching

control wire 0 V: dark switching

3) A = V_S connections protected against reverse polarity

B = Inputs/Outputs protected against reverse polarity

C = Interference pulse suppression

D = Outputs protected against over-current and short-circuit




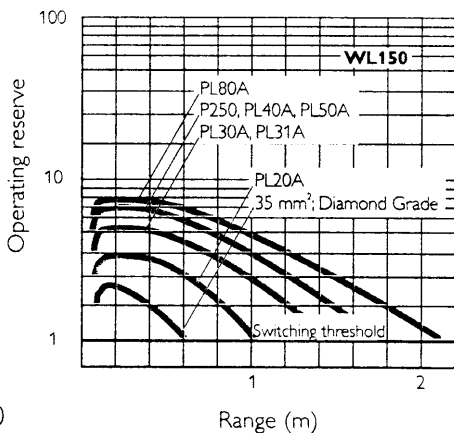
Range

0.01...2.0 m



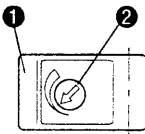
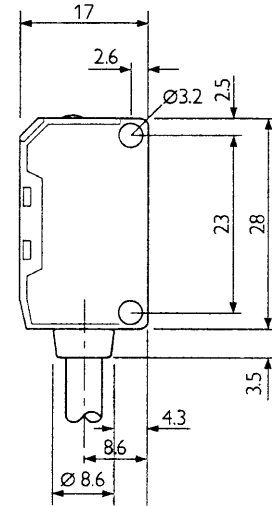
Features:

- Miniature photoelectric switch with integrated amplifier
- Miniature size ideal for installations where there is little room
- Polarising filter providing problem-free detection of glossy objects
- Also suitable for "Diamond Grade" reflective tape
- Red light sender LED to assist with adjustment
- Sensitivity adjustable
- Direct voltage supply
- 2 m connection cable or M 8-4 equipment plug
- CE / 



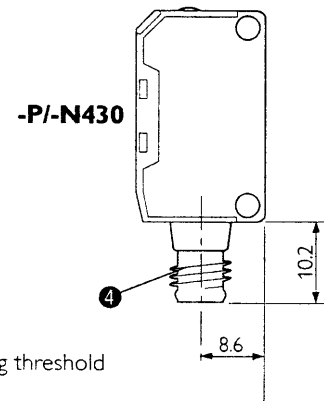
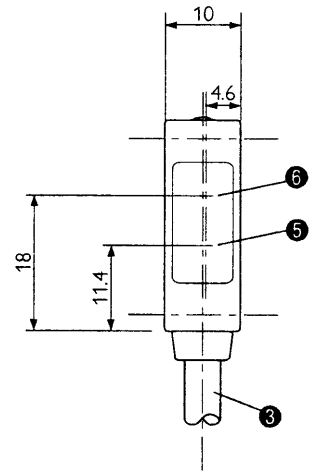
WL 150

WL150-P/-N132



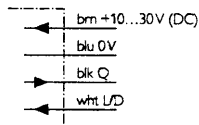
- 1 Red LED indicator: Light received \geq Switching threshold
- 2 Sensitivity controller 270°
- 3 Connection cable
- 4 Equipment plug M8-4 pin
- 5 Sender axis
- 6 Receiver axis

Cable boxes M 8-4 pin, see accessories.
 Mounting bracket BEF-W 150-A included.
 Optional extra: Mounting bracket BEF-W 150-B, see accessories.
 PL20A reflector included.
 See accessories

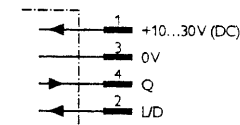


Connection plan

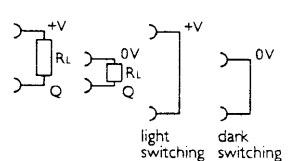
WL150 -P/-N132



-P/-N430



-N -P



L/D = Control wire

brn	blu	blk	wht
brown	blue	black	white
braun	blau	schwarz	weiß