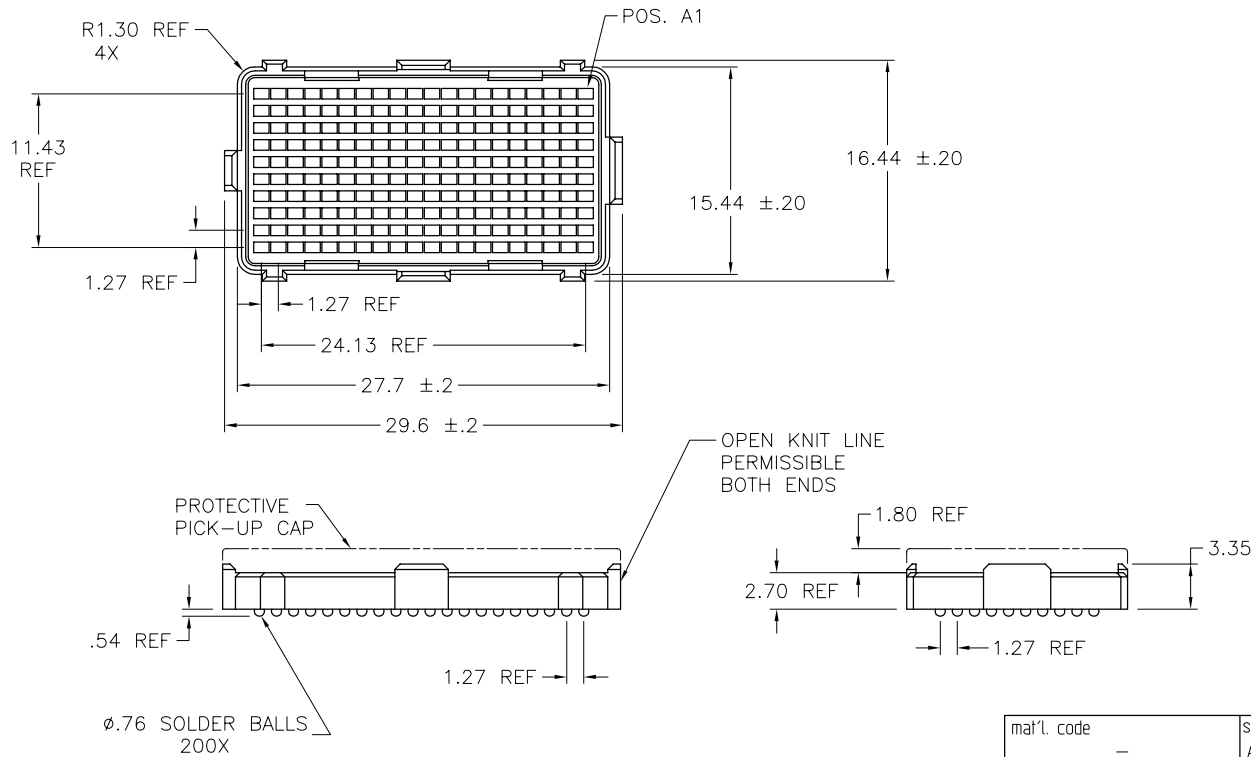


PRODUCT No.	PICK-UP CAP	CONTACT PLATING	SOLDER BALL
84517-001	YES	15u" (.38um) Au OVER Ni	SnPb
84517-001LF			SnAgCu LEAD FREE (5)(6)
84517-101	YES	30u" (.76um) Au OVER Ni	SnPb
84517-101LF			SnAgCu LEAD FREE (5)(6)
84517-201	YES	SEE NOTE 4.	SnPb
84517-201LF			SnAgCu LEAD FREE (5)(6)



mat'l. code		surface		tolerance		projection		product family	
-		ASME Y14.5 ✓		ASME Y14.5				MEG-Array	
ltr	ecn no	dr	date	tolerances unless otherwise specified				title	
A	EC-V10246	DRW	12.19.01	angles	.X *3	MM		4.0mm RECPT. ASSY	
B	V20949	DAI	8.15.02	line fit	XX *10			10 X 20 = 200 POS.	
C	V03-0680	DAI	06/19/03	0' ±2'	XXX *050	scale 1:1		dwg no	
D	V04-0940	VS	10/18/04	dr	D.WAUGHEN	9.9.99		sheet 1 of 3	
E	V05-1071	DAI	12/21/05	engr	B.SPINK	9.9.99		size	
F	V06-0560	LP	7/14/06	chr	B.SPINK	9.9.99		84517	
				appd	B.SPINK	9.9.99		type	
								CUSTOMER Drawing	
sheet index	revision sheet	F	F	F					
		1	2	3					

NOTES:

① MAT'L

HOUSING: LCP
CONTACT: COPPER ALLOY

PLATING

CONTACT: (SEE TABLE ON SHEET1)
SOLDER BALL: (SEE TABLE ON SHEET1)
EUTECTIC SnPb OR LEAD FREE
95.5Sn/4Ag/0.5Cu

2. OVERALL BOARD-TO-BOARD STACK HEIGHTS AVAILABLE USING THIS CONNECTOR (84517):

MATED HEIGHT	WITH PLUG P/N
4mm	84516
10mm	84530

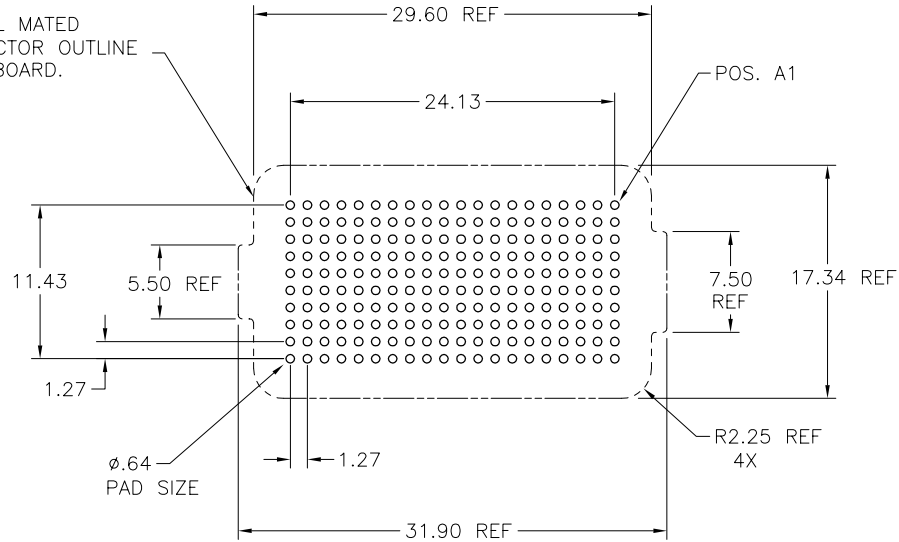
3. SEE SK-47384 FOR MATING RESTRICTIONS WITH EARLIER DESIGN VERSIONS.

④ PLATING FOR -2XX SERIES DASH NOS. MEETS THE REQUIREMENTS OF NORTEL NPS25298-2 (CENTRAL OFFICE ENVIRONMENT, 25 YEAR LIFE EXPECTANCY).

⑤ FOR PROPER APPLICATION FOLLOW FCI APPLICATION SPECIFICATION GS-20-033 LEAD FREE SOLDER BALLS WILL NOT SOLDER PROPERLY IN A LEADED SOLDER PROCESS DUE TO A HIGHER REFLOW TEMPERATURE. LEAD FREE PRODUCT IS THEREFORE NOT BACKWARDS COMPATIBLE WITH LEADED OR SOME SOLDERING APPLICATIONS. REFERENCE FCI APPLICATION SPECIFICATION

⑥ THIS PRODUCT MEETS EUROPEAN UNION DIRECTIVES AND OTHER COUNTRY REGULATIONS AS DESCRIBED IN GS-22-008 PRODUCT MEETING THIS DIRECTIVE IS IDENTIFIED IN THE LOT CODE NUMBER MARKED ON EACH PART BY HAVING AN "X" IN THE SEVENTH CHARACTER POSITION

STENCIL MATED CONNECTOR OUTLINE ONTO BOARD.

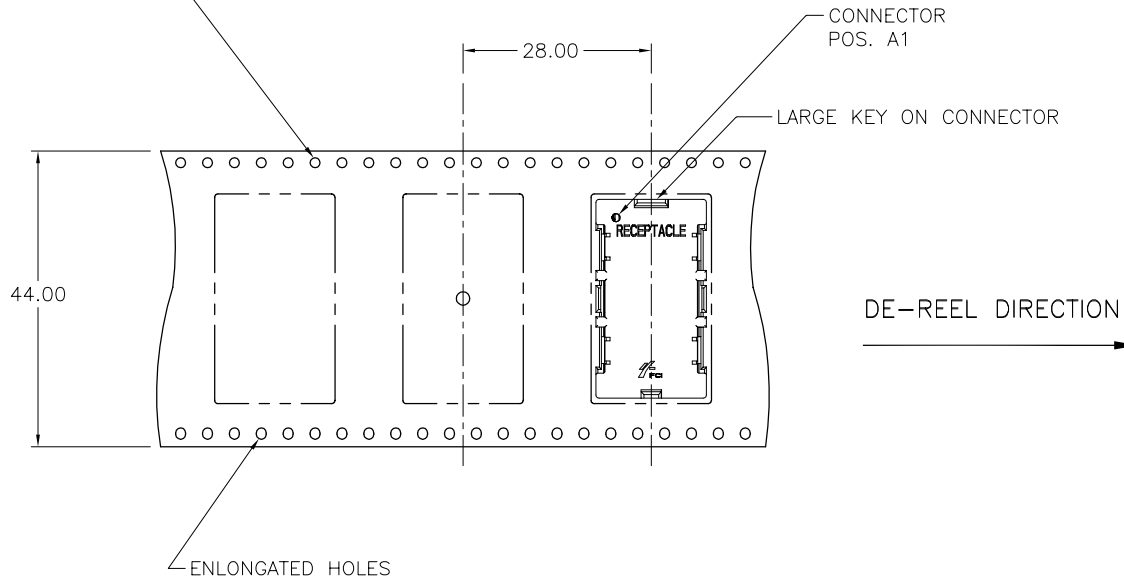


BOARD PATTERN

mat'l. code		surface ASME Y14.5 ✓		tolerance ASME Y14.5		projection		product family MEG-Array	
ltr	ecr no	dr	date	tolerances unless otherwise specified		MM		title	
F				angles	time	X *3 XX *10 XXX *050		4.0mm RECPT. ASSY 10 X 20 = 200 POS.	
				0' ±2'		scale 1:1		dwg no sheet 2 of 3 size	
		dr	D.WAUGHEN		9.9.99	FCI		84517 A4	
		enr	B.SPINK		9.9.99			CUSTOMER Drawing	
		chr	B.SPINK		9.9.99				
		appd	B.SPINK		9.9.99				
sheet index	revision sheet								



ROUND SPROCKET HOLES



A

A

B

B

mat'l. code		surface		tolerance		projection		product family				
-		ASME Y14.5 ✓		ASME Y14.5		⊕-∇		MEG-Array				
ltr	ecn no	dr	date	tolerances unless otherwise specified								
F				angles	line fit	X #3	MM		title 4.0mm RECPT. ASSY 10 X 20 = 200 POS.			
				0° ±2'		XX +.10	←					
						XXX +.050	scale 1:1					
		dr	D.WAUGHEN	9.9.99						dwg no	sheet 3 of 3	size
		enr	B.SPINK	9.9.99						84517	A4	
		chr	B.SPINK	9.9.99								
		appd	B.SPINK	9.9.99						type CUSTOMER Drawing		
sheet index	revision sheet											