

Honeywell

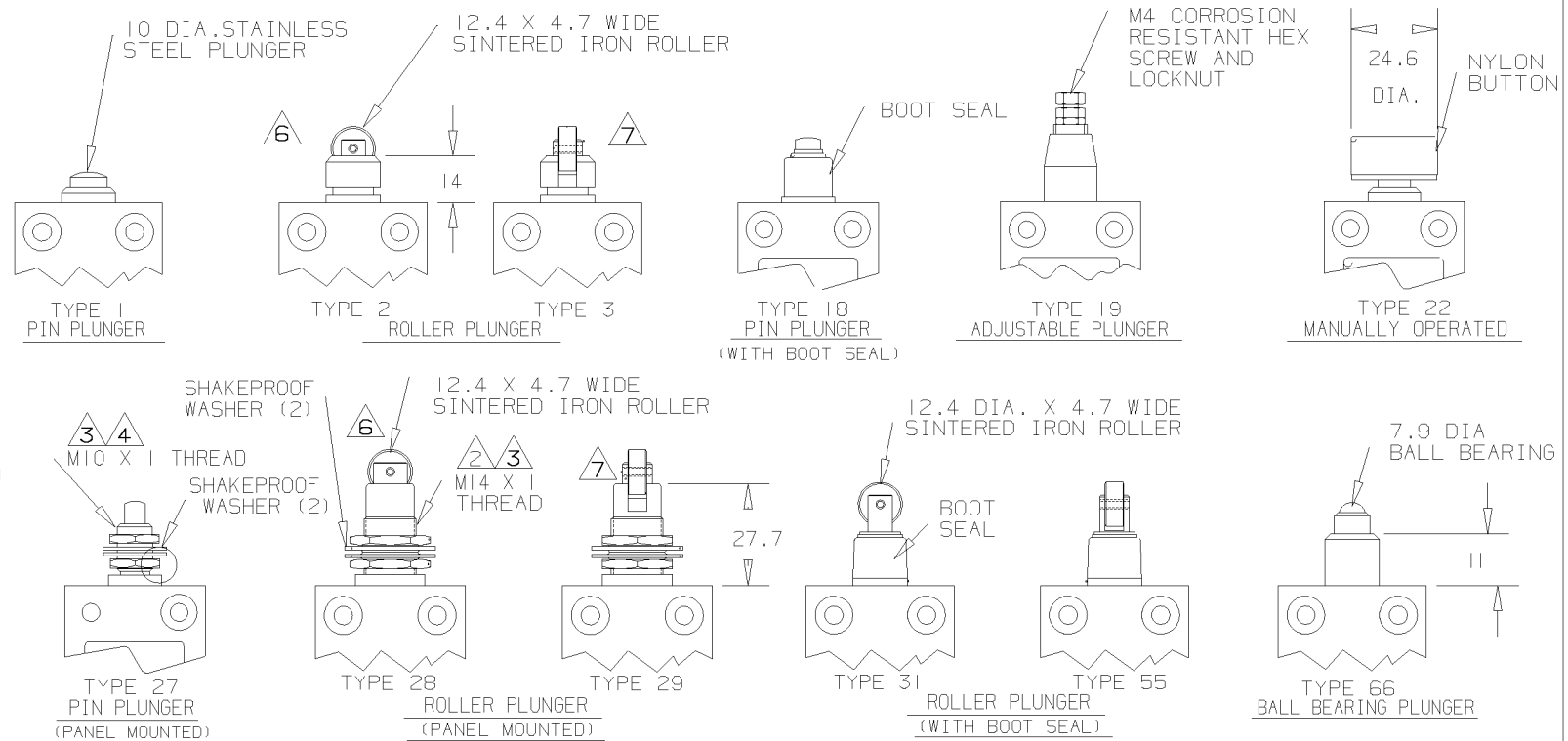
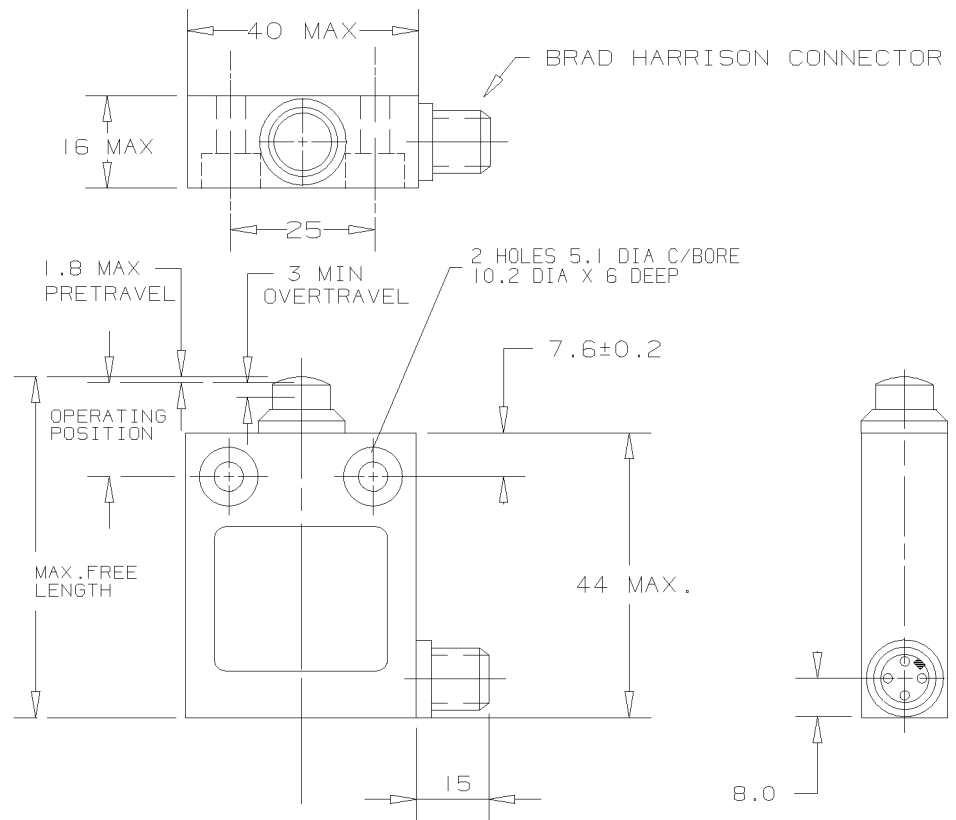
SMALL PRECISION
LIMIT SWITCH

CATALOGUE LISTING
914CE SERIES

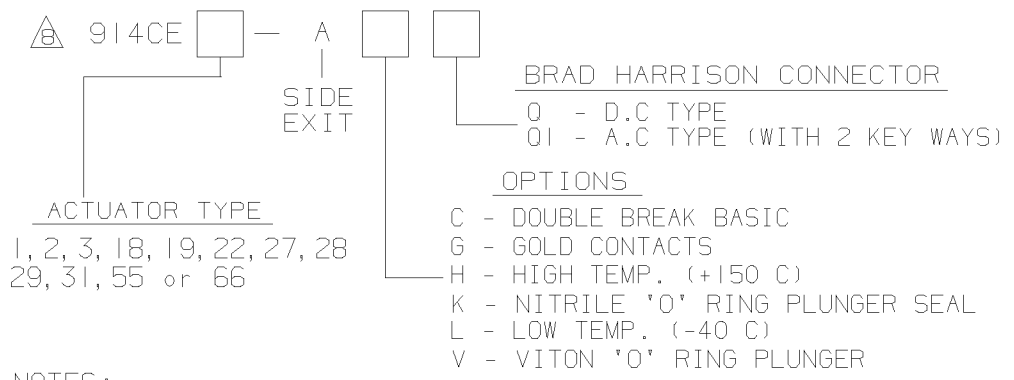
CHART MTG-CE-36

SWITCH TYPE	ISSUE	RELEASE NUMBER	OPTIONS	DIFF. TRAVEL (MAX.)	OPERATING FORCE (MAX.)		RELEASE FORCE (MIN)		OPERATING POSITION	MAX FREE LENGTH
					NEWTONS	GMF	NEWTONS	GMF		
914CE1	3	MS11137	G, H, L	0.1	11.8	1200	4.4	450	15.7±1.0	54
			K, V	0.1	22.5	2300				
914CE2	3	MS11137	G, H, L	0.1	11.8	1200	4.4	450	28.5±1.0	67
			K, V	0.1	22.5	2300				
914CE18	1	MS11285	G, H, L	0.1	22.5	2300	4.4	450	24.9±1.0	63
914CE19			G, H, L	0.1	11.8	1200	4.4	450	ADJUSTABLE 32 TO 39	77.4
914CE22			G, H, L	0.1	9	920	3	300	27.4 MAX	64.1
914CE27			G, H, L	0.1	11.8	1200	4.4	450	29.3±1.0	67.2
914CE28			G, H, L	0.1	11.8	1200	4.4	450	42.5±1.0	81
914CE29			G, H, L	0.1	11.8	1200	4.4	450	42.5±1.0	81
914CE31	1	MS11396	G, H, L	0.1	17.5	1800	4.4	450	34.4±1.0	73
914CE55			G, H, L	0.1	17.5	1800	4.4	450	34.4±1.0	73
914CE66			G, H, L	0.1	11.8	1200	4.4	450	24.4±1.0	63

914 CE SERIES
 CHART MTG-CE-36
 REPLACES
 MS11280
 RELEASE NUMBER
 MS11285
 ISSUE
 1
 2
 3
 4
 5
 6
 7
 8
 9



CATALOGUE LISTING CONVENTION



- NOTES:-
- 1 : DIE CAST HOUSING FINISHED IN GREY PAINT
 - 2 : SWITCH MOUNTS THROUGH A 14,5 DIA HOLE
 - 3 : MAXIMUM PANEL THICKNESS = 4,2
 - 4 : SWITCH MOUNTS THROUGH 10.5 DIA HOLE
 - 5 : TEMPERATURE RANGE :0 C TO +70 C (STANDARD)
 - 6 : ROLLER PARALLEL WITHIN 3 TO MOUNTING FACE
 - 7 : ROLLER PERPENDICULAR WITHIN 3 TO MOUNTING FACE
 - 8 : ALL LOGICAL LISTINGS ARE IEC 947-5-1 APPROVED EXCEPT: OPTIONS C, G.

DIMENSIONS ARE IN MILLIMETRES
 UNLESS OTHERWISE SPECIFIED
 TOLERANCES ARE
 +/- 0.15

PLOT SCALE 1:1

ELECTRICAL RATING		CIRCUIT DIAGRAM	CONNECTOR
SILVER CONTACTS 3A - 250VAC LRI5775	IEC 947-5-1 EN60947-5-1 AC14 D300 DC13 R300	S.P.D.T. 	 (D.C. TYPE)
GOLD CONTACTS 1A - 125VAC LRI5775		NOTE :- COMMON- RED W/ BLACK TRACE NORMALLY OPEN- RED W/ WHITE TRACE NORMALLY CLOSED- RED GROUND- GREEN	 (A.C. TYPE)

REVISIONS
 2 | 14.2.89
 CN-14078
 3 | 12.4.89
 CN-14136
 4 | 3.5.89
 MS11285
 5 | 29.5.89
 CN-14214
 6 | 10.12.89
 MS11396
 7 | 11.2.92
 CN15441
 8 | 9.08.94
 MS11915
 9 | 23.8.95
 CN-16516
 TRACED
 19-8-88
 DRAWN JT
 HW

THE COPYRIGHT OF THIS DRAWING IS THE PROPERTY OF HONEYWELL LTD. THE DRAWING IS SUPPLIED IN CONFIDENCE AND MUST NOT BE USED FOR ANY PURPOSE OTHER THAN THAT FOR WHICH IT IS SUPPLIED.

