

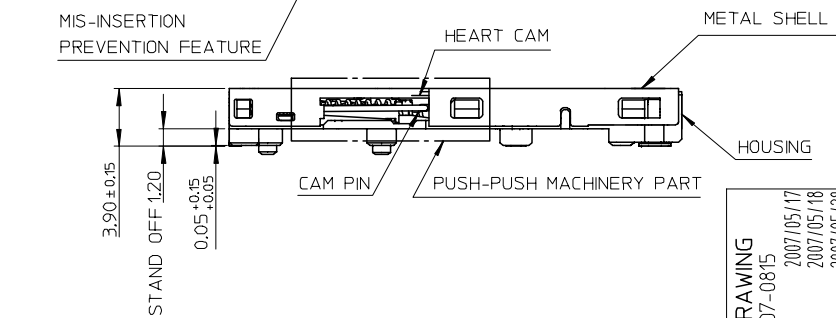
NOTES:
 1.HOUSING: HIGH TEMPERATURE THERMOPLASTIC, GLASS FIBER FILLED,UL94V-0, COLOR: BLACK
 TERMINAL: COPPER ALLOY, SELECTIVE Au PLATING
 METAL SHELL: STAINLESS STEEL
 EACH SWITCHES: COPPER ALLOY, SELECTIVE Au PLATING.
 EACH NAILS: COPPER ALLOY, SELECTIVE AU PLATING.
 COIL SPRING: STEEL WIRE.
 CAM PIN: STAINLESS STEEL
 2.TERMINAL AND NAIL COPLANARITY TO BE 0.1MAX
 3.CONTACT POSITION OF CARD SIDE

TERMINAL NO.	CONTACT POSITION
NO.1	2.4
NO.2,5,6,7,8	2.9
NO.3,4	3.4
NO.9	5.2

4.OPEN/CLOSE OF EACH SWITCH

	PROTECT TERMINAL		SWITCH
	WRITE PROTECT POSITION	WRITE ENABLE POSITION	
CARD UNINSERTION	OPEN	OPEN	OPEN
CARD HALF INSERTION	CLOSE	CLOSE	OPEN
CARD INSERTION	OPEN	CLOSE	CLOSE

- 5.TERMINAL 1 TO BE SIGNAL DETECTING WHEN SD CARD INSERTING
- 6.WHEN DELIVERING, THE PUSH/PUSH MECHANISM IS IN THE STATE OF THE UNLOCK.(CARD DASHING OUT POSITION)
- 7.CARD READ ONLY BY THE TIME THE CARD DETECTION.
- 8.I/O CONTACTS, BASE ON SD I/O ASSOC. REV.G.
- 9.PRODUCT SPECIFICATION: SEE TABLE
- 10.PRODUCT COMPLIANT TO RoHS DIRECTIVE 2002/95/EC AND ELV 2000/53/EC.



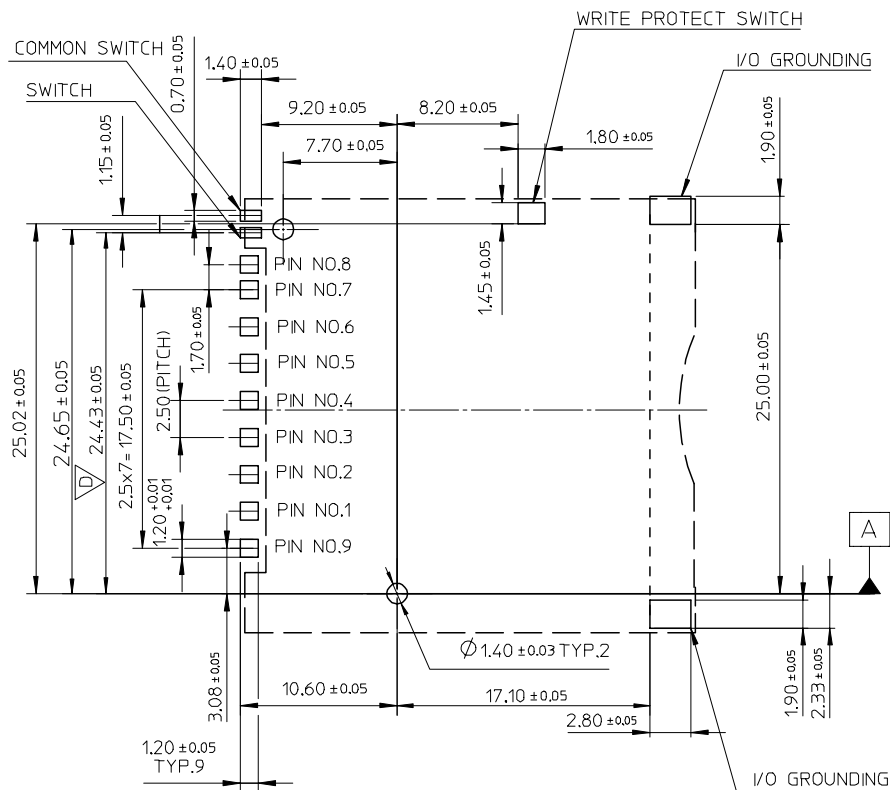
PART NO.	DESCRIPTION	PRODUCT SPECIFICATION	REMARK
48141-0001	STANDARD	PS-67913-002	FOR SD ONLY
48141-0002	STANDARD W/O CARD LOCK PIN	PS-67913-003	SD/MMC

UPDATE DRAWING
 EC NO: SH2007-0815
 DRWN:L.SONG09 2007/05/17
 CHKD:JTIAN 2007/05/18
 APPR: JNCHEN 2007/05/28

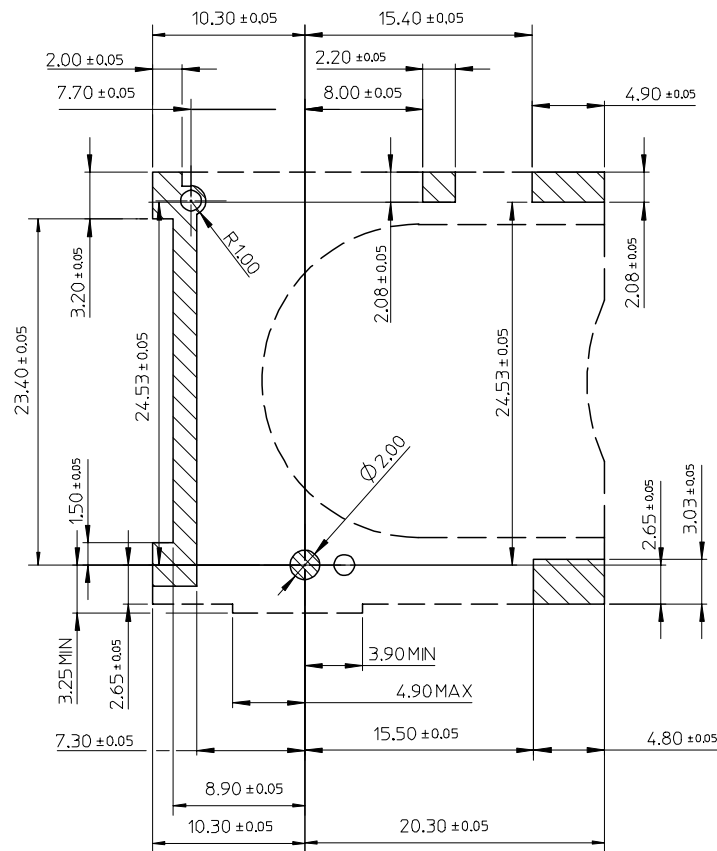
QUALITY SYMBOLS
 ▽=0
 ◁=0

	GENERAL TOLERANCES (UNLESS SPECIFIED)	
	MM	INCH
4 PLACES	± ---	± ---
3 PLACES	± ---	± ---
2 PLACES	± 0.25	± ---
1 PLACE	± 0.25	± ---
ANGULAR ± 3°		

DIMENSION STYLE		SCALE	DESIGN UNITS	THIRD ANGLE PROJECTION
MM ONLY		3:1	METRIC	
DRAWN BY	DATE	TITLE		
VPENG	20031215	SD/I/O CARD CONN REVERSED		
CHECKED BY	DATE	STAND OFF 1.2MM		
WWSCHANG	20031215	PUSH-PUSH & LEAD-FREE		
APPROVED BY	DATE	MOLEX INCORPORATED		
ELAN	20031215	MOLEX INCORPORATED		
MATERIAL NO.	DOCUMENT NO.	SHEET NO.		
	SEE TABLE	SD-48141-001		
SIZE	THIS DRAWING CONTAINS INFORMATION THAT IS PROPRIETARY TO MOLEX INCORPORATED AND SHOULD NOT BE USED WITHOUT WRITTEN PERMISSION			
A3				



□ RECOMMENDED PCB PATTERN LAYOUT



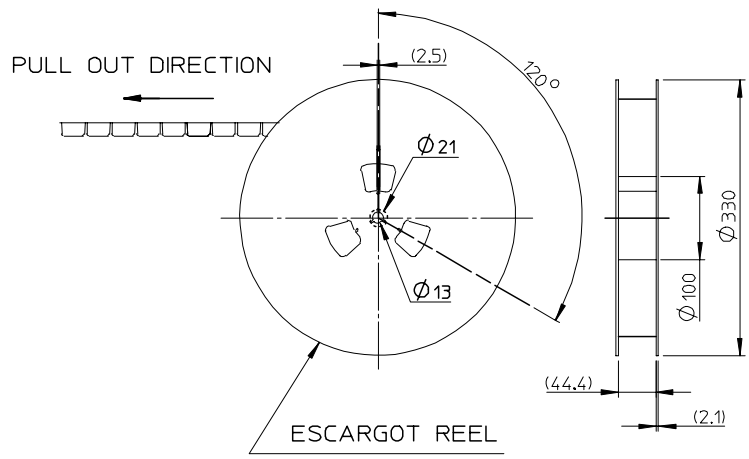
STAND OFF AREA FOR PATTERN PROHIBITION

UPDATE DRAWING	DESCRIPTION
EC NO: SH2007-0815	2007/05/17
DRWN: LSONG09	2007/05/18
CHKD: JTIAN	2007/05/18
APPR: JNCHEN	2007/05/28
D	REV

QUALITY SYMBOLS	DESCRIPTION
▽=0	
▽C=0	

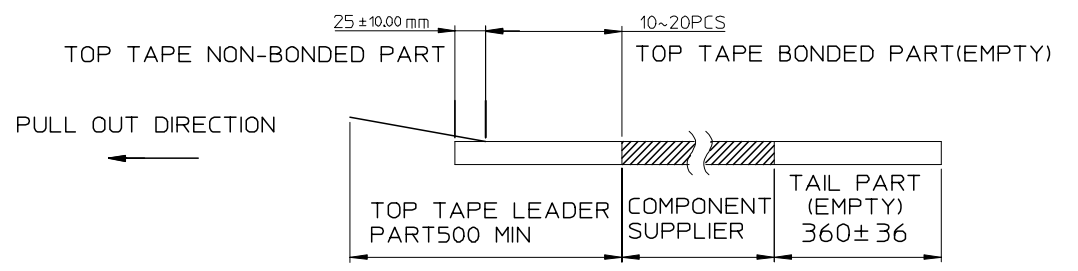
GENERAL TOLERANCES (UNLESS SPECIFIED)	mm	INCH
4 PLACES	± ---	± ---
3 PLACES	± ---	± ---
2 PLACES	± 0.25	± ---
1 PLACE	± 0.25	± ---
ANGULAR ± 3 °		
DRAFT WHERE APPLICABLE MUST REMAIN WITHIN DIMENSIONS		

DIMENSION STYLE		SCALE	DESIGN UNITS	THIRD ANGLE PROJECTION
MM ONLY		3:1	METRIC	
DRAWN BY	DATE	TITLE		
VPENG	20031215	SD/IO CARD CONN REVERSED		
CHECKED BY	DATE	STAND OFF 1.2MM		
WWSCHANG	20031215	PUSH-PUSH & LEAD-FREE		
APPROVED BY	DATE	MOLEX INCORPORATED		
ELAN	20031215	MOLEX INCORPORATED		
MATERIAL NO.	DOCUMENT NO.	SHEET NO.		
SEE SHEET1	SD-48141-001	2 OF 3		
SIZE	THIS DRAWING CONTAINS INFORMATION THAT IS PROPRIETARY TO MOLEX INCORPORATED AND SHOULD NOT BE USED WITHOUT WRITTEN PERMISSION			
A3				

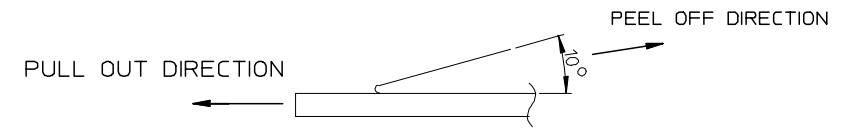


NOTES

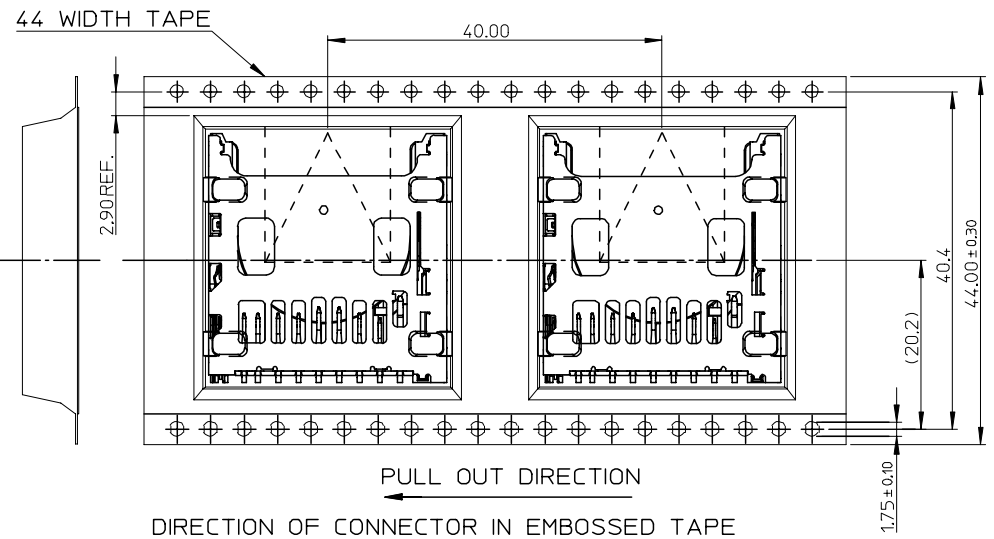
1. NUMBER OF CONNECTORS: 250 PCS/REEL
- 2.



3. PEEL OFF FORCE OF TOP TAPE: 0.1~1.3 N (10.2~130gf)
PEELING DIRECTION AS SHOWN IN FOLLOWING FIG.)
(PEEL OFF SPEED: 300mm/min.REF.)



4. PACKAGING DRAWING REFERS TO PK-48141-001.



DIRECTION OF CONNECTOR IN EMBOSSED TAPE

UPDATE DRAWING	DESCRIPTION
EC NO: SH2007-0815	DRWN: SONG09
2007/05/17	2007/05/18
CHKD: JTIAN	APPR: JNCHEN
2007/05/28	

QUALITY SYMBOLS	▽=0
	∇=0

GENERAL TOLERANCES (UNLESS SPECIFIED)	
	mm
	INCH
4 PLACES	± ---
3 PLACES	± ---
2 PLACES	± 0.25
1 PLACE	± 0.25
ANGULAR ± 3 °	

DIMENSION STYLE	
MM ONLY	
DRAWN BY	DATE
VPENG	20031215
CHECKED BY	DATE
WWSCHANG	20031215
APPROVED BY	DATE
ELAN	20031215

SCALE	DESIGN UNITS	THIRD ANGLE PROJECTION	
1:1	METRIC		
TITLE			
SD/IO CARD CONN REVERSED			
STAND OFF 1.2MM			
PUSH-PUSH & LEAD-FREE			
MOLEX INCORPORATED			
MATERIAL NO.		DOCUMENT NO.	SHEET NO.
SEE SHEET1		SD-48141-001	3 OF 3

DRAFT WHERE APPLICABLE MUST REMAIN WITHIN DIMENSIONS

THIS DRAWING CONTAINS INFORMATION THAT IS PROPRIETARY TO MOLEX INCORPORATED AND SHOULD NOT BE USED WITHOUT WRITTEN PERMISSION