

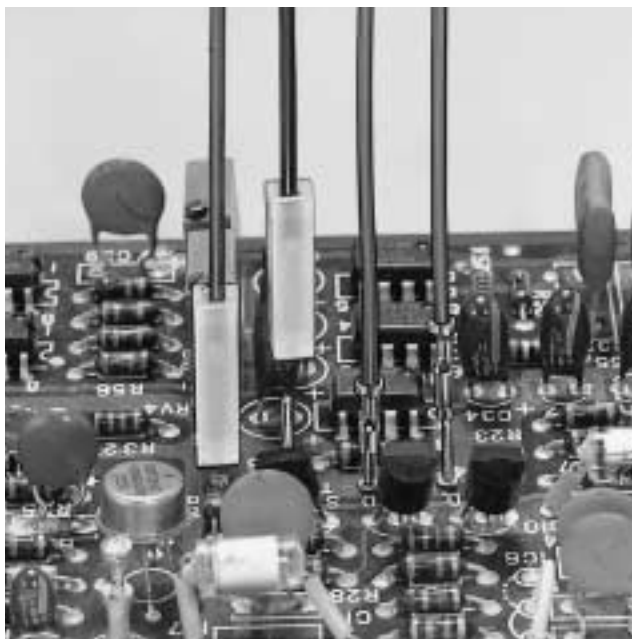
**JST**

Crimp

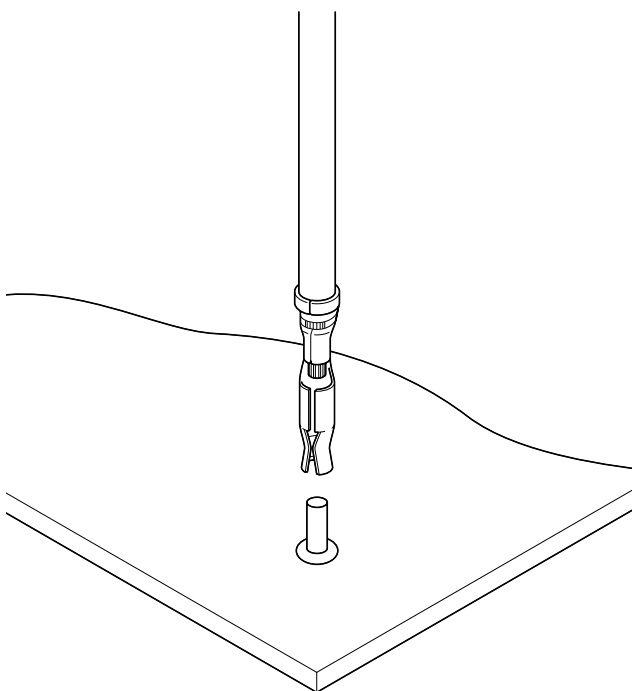
**Single-circuit**

# SMF CONNECTOR

Disconnectable Crimp style connector for 1.0mm(.039") and 1.3mm(.051") diameter pins



***This small single-circuit connector connects to 1.0mm (.039") and 1.3mm (.051") diameter pins and requires only minimal space for connection of wires to high-density printed circuit boards. The SMF connector has a funnel shaped lead-in to ease insertion and to ensure a balance with its high retaining force.***



## Specifications

- Current rating: 5A AC, DC
- Temperature range: -25°C to +85°C  
(including temperature rise in applying electrical current)
- Contact resistance: Initial value/10m max.  
After environmental testing/15m max.
- Insulation resistance: 1,000M min.
- Withstanding voltage: 500V AC/minute
- Applicable wire: AWG #26 to #20
- Applicable PC board thickness: 1.6mm(.063")
- \* Contact JST for details.

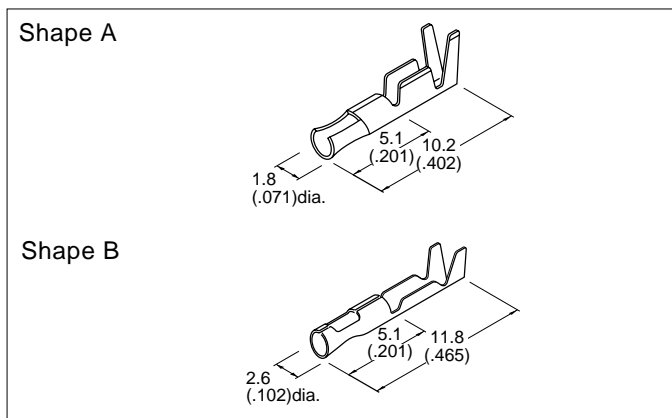
## Standards

 Recognized E60389

 Certified LR20812

# SMF CONNECTOR

## Contact



Model No.	Applicable wire			Shape	Applicable pin	Q'ty / reel
	mm <sup>2</sup>	AWG #	Insulation O.D.mm(in.)			
<b>SMF-01T-1.0</b>	0.13 to 0.5	26 to 20	1.3 to 2.7 (.51 to .106)	A	RT-01T-1.0B	5,000
<b>SMF-01T-1.3</b>				B	RT-01T-1.3B	4,000

### Material and Finish

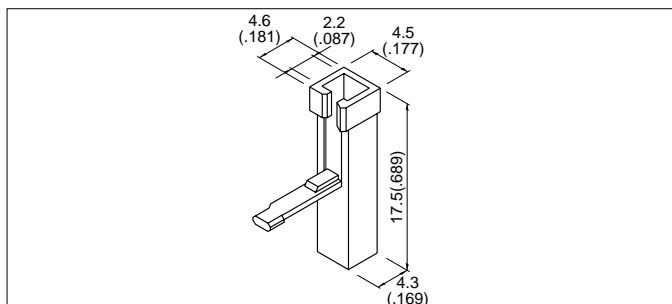
Brass, tin-plated

### Note:

Contact JST if you require shielded wires or other special wires, or if two leads must be crimped in one contact.

**SMF-20LV300-D = SMF-01T-1.0 with 300mm long, black, AWG 20 wire attached**

## Housing

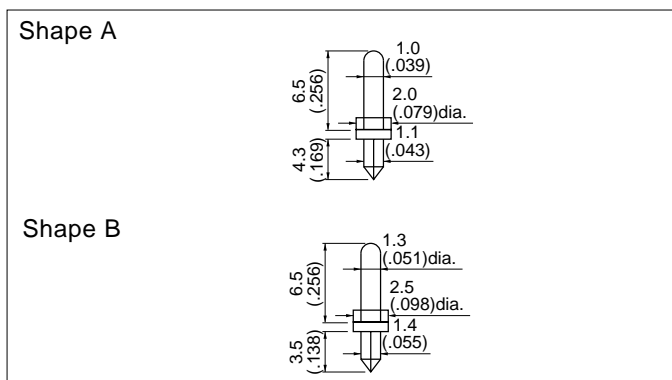


Model No.	Circuit	Insulation O.D.mm(in.)	Applicable contact	Q'ty / bag
<b>1P-SMF</b>	1	1.3 to 1.7(.051 to .067)	SMF-01T-1.0	1,000

### Material

Nylon 66, UL94V-2, natural (white)

## Pin



Model No.	Shape	Applicable PC board		Q'ty / box
		Thickness mm(in.)	Hole diameter mm(in.)	
<b>RT-01T-1.0B</b>	A	1.6(.063)	1.0 ± 0.05(.039 ± .002)	20,000
<b>RT-01T-1.3B</b>	B	1.6(.063)	1.25 ± 0.05(.049 ± .002)	15,000

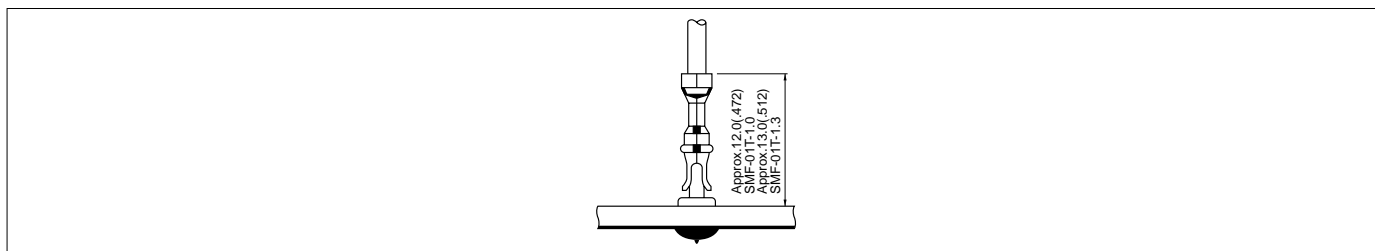
### Material and Finish

Brass, copper-undercoated.

### Note:

Hole dimensions may differ according to the kind of PC board and piercing method.

## Assembly layout



## *Applicator for the semi-automatic press AP-K2N*

Contact	Crimp applicator MKS-L		Compact crimp applicator MKS-LS		Strip-crimp applicator MKS-SC
	with safety cover	without safety cover	with safety cover	without safety cover	with safety cover
SMF-01T-1.0	APLMK SMF01-10	APLNC SMF01-10	-	-	-
SMF-01T-1.3	APLMK SMF01-13	APLNC SMF01-13	-	-	-