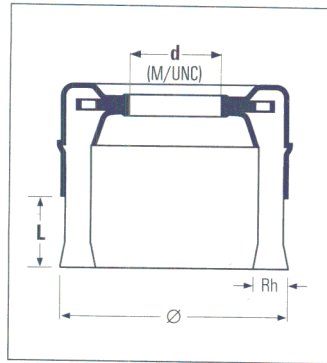


Cup Brushes Ultra

Single twists, oil-hardened wire – the features which give these brushes their aggressive action.



Fill types: ULTRA

SUP – Steel wire, hardened, straight.

INOX – Stainless steel wire, acid resistant, straight.

Applications:

For heavy-duty use such as the removal of paint, scale, corrosion of all kinds and the cleaning of weld seams and spot-welds.

Available to fit one-hand angle grinders, large angle grinders, pneumatic grinders and bench machines.



Cup Brushes Ultra



Wear eye protection!

Topfbürsten Ultra

Dimensions/
Abmessungen

RPM/
UPM

Type

Ø	RH	L				0.35 SUP	0.50 SUP	0.80 SUP
mm		mm		max.		Art.-No.	Art.-No.	Art.-No.
65 (2 1/2")	1	20	M 10	12000	TZ61	9904.0029	9904.0032	9904.0251
	1	20	M 14	12000	TZ61	9904.0009	9904.0010	9904.0252
	1	20	UNC 5/8"	12000	TZ61	9904.0017	9904.0018	9904.0253
80 (3")	1	15	M 14	12000	TZ71	9203.1110	9203.1310	9203.1510
	1	25	d 22,2	8500	TZ81	9201.1113	9201.1313	9201.1513
	1	25	M 14	8500	TZ81	9203.1113	9203.1313	9203.1513
90 (3 1/2")	1	25	UNC 5/8"	8500	TZ81	9205.1113	9205.1313	9205.1513
	1	25	d 22,2	8500	TZ91	9201.1115	9201.1315	9201.1515
	1	25	M 14	8500	TZ91	9203.1115	9203.1315	9203.1515
100 (4")	1	25	UNC 5/8"	8500	TZ91	9205.1115	9205.1315	9205.1515
	2	25	d 22,2	8500	TZ92	9202.1115	9202.1315	9202.1515
	2	25	M 14	8500	TZ92	9204.1115	9204.1315	9204.1515
	2	25	UNC 5/8"	8500	TZ92	9206.1115	9206.1315	9206.1515
	1	25	d 22,2	8500	TZ101	9201.1117	9201.1317	9201.1517
	1	25	M 14	8500	TZ101	9203.1117	9203.1317	9203.1517
120 (4 3/4")	1	25	UNC 5/8"	8500	TZ101	9205.1117	9205.1317	9205.1517
	2	25	d 22,2	8500	TZ102	9202.1117	9202.1317	9202.1517
	2	25	M 14	8500	TZ102	9204.1117	9204.1317	9204.1517
	2	25	UNC 5/8"	8500	TZ102	9206.1117	9206.1317	9206.1517
	1	25	d 22,2	6500	TZ121	9201.1121	9201.1321	9201.1521
	1	25	M 14	6500	TZ121	9203.1121	9203.1321	9203.1521
140 (5 1/2")	1	25	UNC 5/8"	6500	TZ121	9205.1121	9205.1321	9205.1521
	2	25	d 22,2	6500	TZ122	9202.1121	9202.1321	9202.1521
	2	25	M 14	6500	TZ122	9204.1121	9204.1321	9204.1521
	2	25	UNC 5/8"	6500	TZ122	9206.1121	9206.1321	9206.1521
	1	25	d 22,2	5500	TZ141	9201.1125	9201.1325	9201.1525
	1	25	M 14	5500	TZ141	9203.1125	9203.1325	9203.1525
	1	25	UNC 5/8"	5500	TZ141	9205.1125	9205.1325	9205.1525
	2	25	d 22,2	5500	TZ142	9202.1125	9202.1325	9202.1525
	2	25	M 14	5500	TZ142	9204.1125	9204.1325	9204.1525
	2	25	UNC 5/8"	5500	TZ142	9206.1125	9206.1325	9206.1525

Available with a threaded or plain arbor hole.

Mit verschiedenen Aufnahme-gewinden oder Achsloch lieferbar.