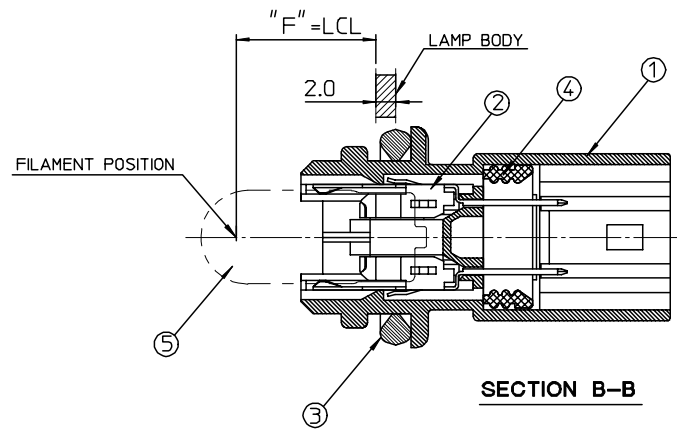


SECTION A-A



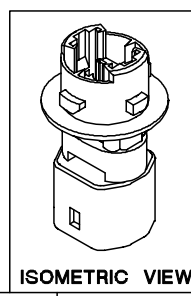
SECTION B-B

<NOTE>

- 1. ASSEMBLY PART NO. : 35340-0210
- 2. MATERIAL

NO.	PART NAME	PART NO.	MATERIAL	REMARK	Q'TY
1	SOCKET PLUG	35340-0290	POLYAMIDE(PA66)	GRAY	1
2	TERMINAL	35075-6100	COPPER ALLOY	-	2
3	O-RING	35903-0013	SILICONE	GRAY	1
4	INNER SEAL	35903-0011	SILICONE	RED	1
5	BULB	-	-	12V, 5W/18W	1

- 3. "F" DIMENSION:  
ECE SPECIFICATION: 11.7mm  
KS: 13.3mm



ISOMETRIC VIEW

CHANGED OF MATERIAL  
EC NO: KOR2008-0070  
DRW: EOKIM 2007/10/01  
CHKD: BCYON 2007/10/01  
APPR: YUNSIKIM 2007/10/02

QUALITY SYMBOLS  
▽=0  
∇=0

GENERAL TOLERANCES (UNLESS SPECIFIED)

	mm	INCH
4 PLACES	± ---	± ---
3 PLACES	± ---	± ---
2 PLACES	± 0.2	± ---
1 PLACE	± 0.2	± ---
ANGULAR ± 1 °		

DRAFT WHERE APPLICABLE  
MUST REMAIN  
WITHIN DIMENSIONS

DIMENSION STYLE  
MM ONLY

DRAWN BY	DATE	TITLE
YJKIM	1996/01/05	FSM BULB CONN. HEADER
CHECKED BY	DATE	
YJKIM	1996/01/05	MOLEX INCORPORATED
APPROVED BY	DATE	
CWLEE	1996/01/05	

MATERIAL NO. 353400210  
DOCUMENT NO. SD-35340-001  
SHEET NO. 1 OF 1

SCALE 2:1  
DESIGN UNITS METRIC  
THIRD ANGLE PROJECTION

DO NOT SCALE DRAWING DIMENSION IN METRIC

DWG. NO. **35340-0279**

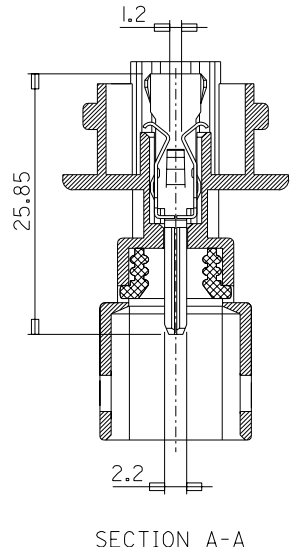
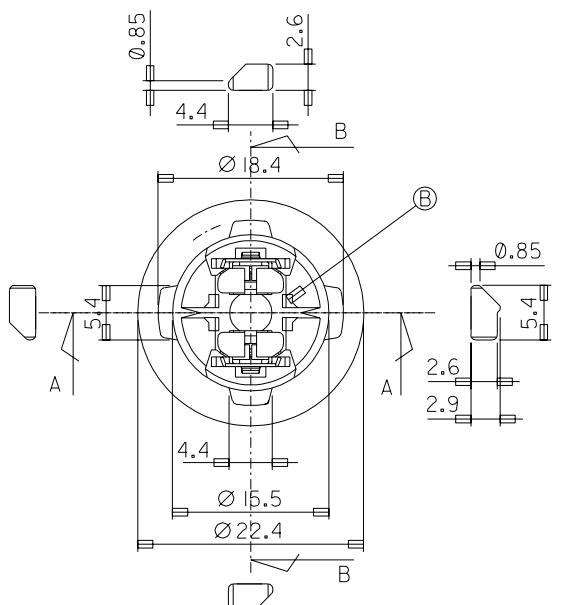
SIMILAR ITEM

PROJECT NO.

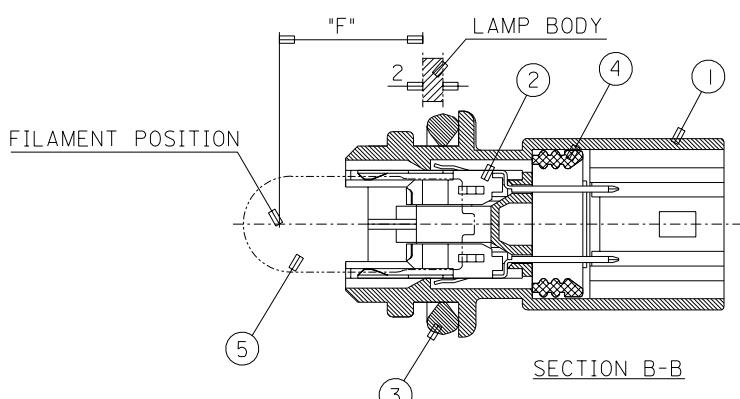
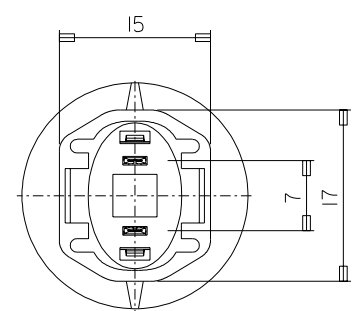
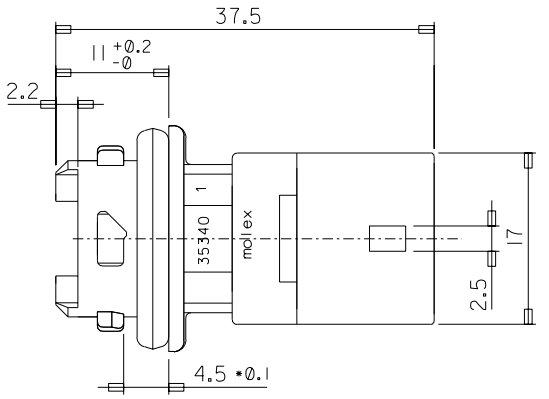
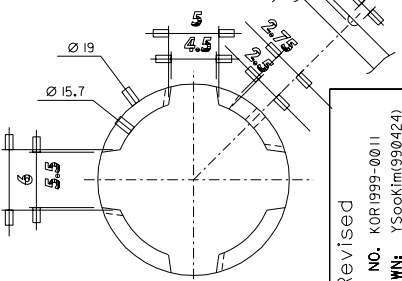
C

B

A



SOCKET PLUG HOLE  
(SES-D-102 301-05)



**NOTE**

1. \*\*\* \*\* \*\* \*\* \*\*
2. \*\*\* \*\* HOLE\* SES-D-102\* 301-05\* \*\*\*
3. \*\*\* \*\* BULB\*\*\* \*\* \*\* 2\*\*\* \*\*  
 $\varnothing$  11.7 (ECE\*\*)  
 $\varnothing$  13.3 (KS, SAE\*\*)
4. GENERAL TOLERANCE

DIMENSION	TOLERANCE
LESS 4	$\pm$ 0.2
4 to 8	$\pm$ 0.25
8 to 16	$\pm$ 0.3
16 to 32	$\pm$ 0.4
32 to 63	$\pm$ 0.5
63 to 126	$\pm$ 0.6
DRAFT ANGLE	LESS $1^\circ$ $\sim$ $30^\circ$

NO	DESCRIPTION	QTY	MATERIAL	FINISH	REMARKS
5	BULB	1			12V, 5W
4	PACKING(SEAL)	1	SILICON		
3	PACKING(O-RING)	1	SILICON		
2	TERMINAL	2	Cu-ALLOY		NATURAL
1	SOCKET PLUG	1	NYLON 6		GRAY

Revised EC NO. KOR1999-0011 DRWN: YSook(mi990424) CHK: JKOh APPR: CWLee	DESCRIPTION MAJOR CRITICAL C	QUALITY SYMBOLS	GENERAL TOLERANCES: (UNLESS SPECIFIED)		SCALE 2:1	DESIGN UNITS <input checked="" type="checkbox"/> mm <input type="checkbox"/> INCH	THIRD ANGLE PROJECTION	DIMENSIONS: <input type="checkbox"/> mm <input type="checkbox"/> INCH <input checked="" type="checkbox"/> mm ONLY	SHT REV
			4 PLACES $\pm 0.$ $\pm$ 3 PLACES $\pm 0.$ $\pm$ 2 PLACES $\pm 0.$ $\pm$ 1 PLACE <sup>A</sup> $\pm 0.$ $\pm$	ANGULAR: $\pm$ °	DRAWN BY & DATE YJK IM 960105	TITLE: <b>FSM BULB CONN. HEADER</b>		CHECKED BY & DATE YJK IM 960105	MOLEX INCORPORATED KOREA
CAD FILENAME <b>SD35340.DGN</b>	MATERIAL NO.	DRAWING NO. <b>SD 35340-0270</b>	SHEET NO.		THIS DRAWING CONTAINS INFORMATION THAT IS PROPRIETARY TO MOLEX INCORPORATED AND SHOULD NOT BE USED WITHOUT WRITTEN PERMISSION.				