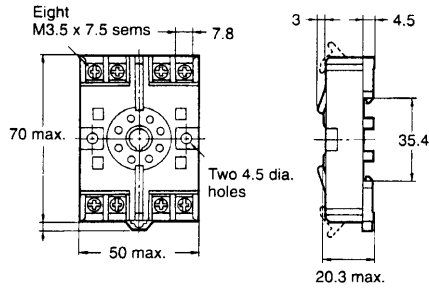
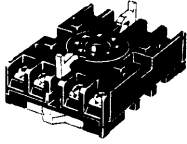


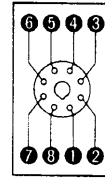
## Sockets

### P2CF-08

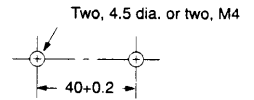
330-954



#### Terminal Arrangement/ Internal Connections (Top View)

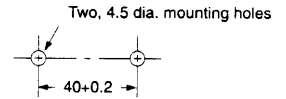
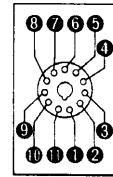
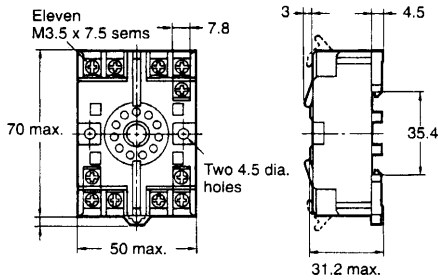
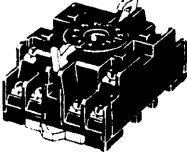


#### Surface Mounting Holes

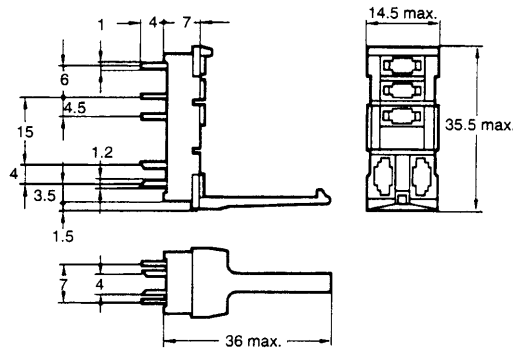
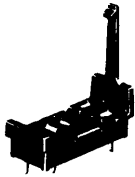


### P2CF-11

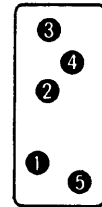
425-382



### P2R-05P (1-pole)

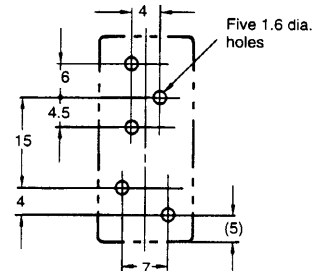


#### Terminal Arrangement

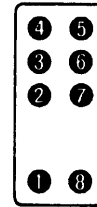
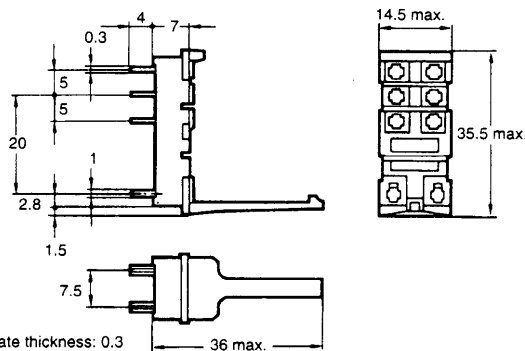
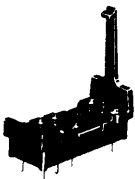


#### Mounting Holes

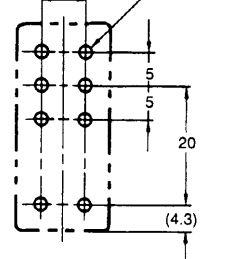
Tolerance: +0.1



### P2R-08P (2-pole)

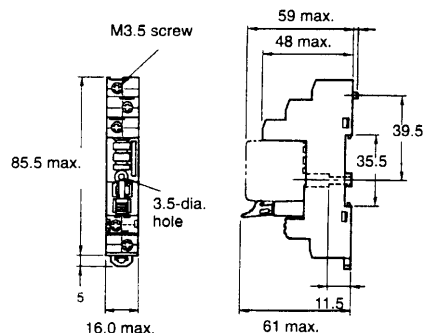
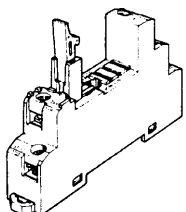


#### Mounting Holes

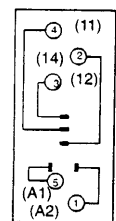


Terminal plate thickness: 0.3

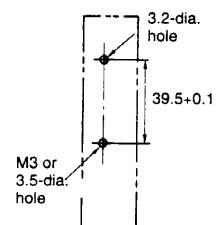
### P2RF-05-E



#### Terminal Arrangement (Top View)



#### Surface Mounting Holes



Note: Pin numbers in parentheses apply to DIN standard.