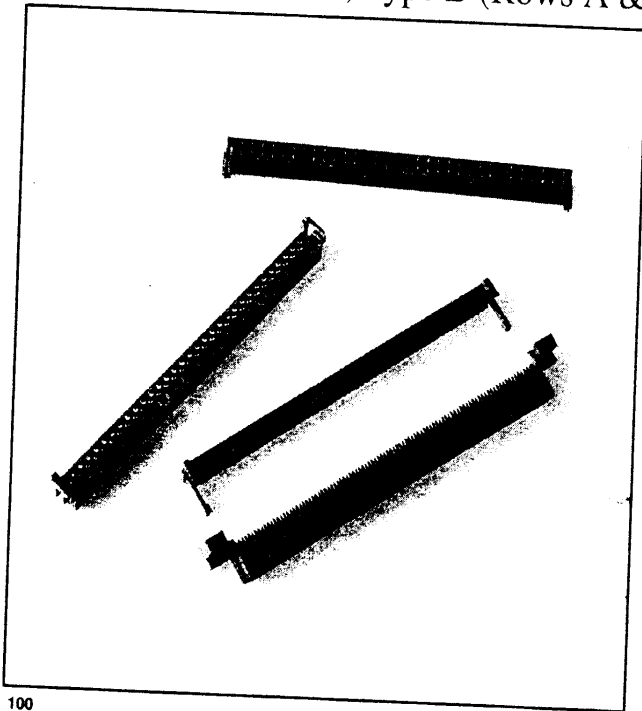


# Eurosocket

.100" × .100" Version, Type B (Rows A & B Filled)

62B64 Series



- DIN 41612 compatible
- High density (64 position)
- Mates with DIN 41612 Type B headers
- High reliability contact design
- Can be daisy-chained or end terminated to flat cable
- Optional strain relief with handle
- Available with or without mounting flanges

TS-0585-02  
Sheet 1 of 3

## Physical

### Insulation

Material: Glass Filled Polyester (PBT)  
Flammability: UL 94V-0  
Color: Gray

### Contact

Material: Copper Alloy  
Plating  
Underplate: 50  $\mu$ " [ 1.27  $\mu$ m ] Nickel — QQ-N-290, Class 2  
Wiping Area: 20  $\mu$ " [ 0.50  $\mu$ m ] Gold — MIL-G-45204, Type II, Grade C  
(For additional options see Ordering Information)

Marking: 3M Logo, Part Identification & Contact Position Numbers

Wire Accommodation: Stranded or Solid: 26 & 28 AWG, Solid: 30 AWG

## Electrical

Current Rating: 1 A

Insulation Resistance:  $>1 \times 10^9 \Omega$  at 500 Vdc

Withstanding Voltage: 1000 Vrms at Sea Level

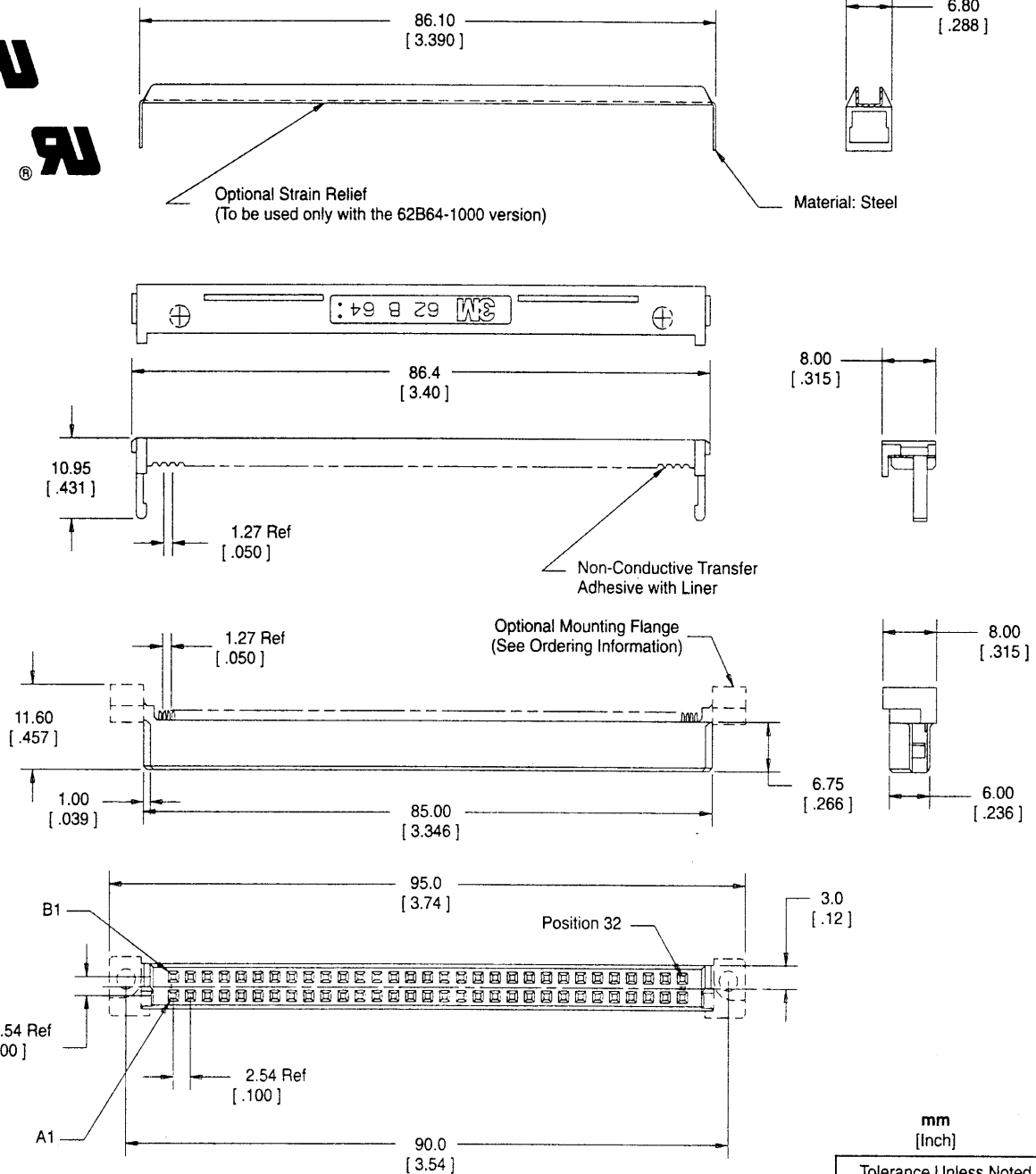
## Environmental

Temperature Rating:  $-55^\circ\text{C}$  to  $+125^\circ\text{C}$

UL File No.: E68080

3M Electronic Products Division

<http://www.3M.com/interconnects/>



Note:  
 1. Position B1 is terminated to the first conductor of the ribbon cable.

mm [Inch]			
Tolerance Unless Noted			
	.0	.00	.000
mm	±.3	±.13	

[ ] Dimensions for Reference only

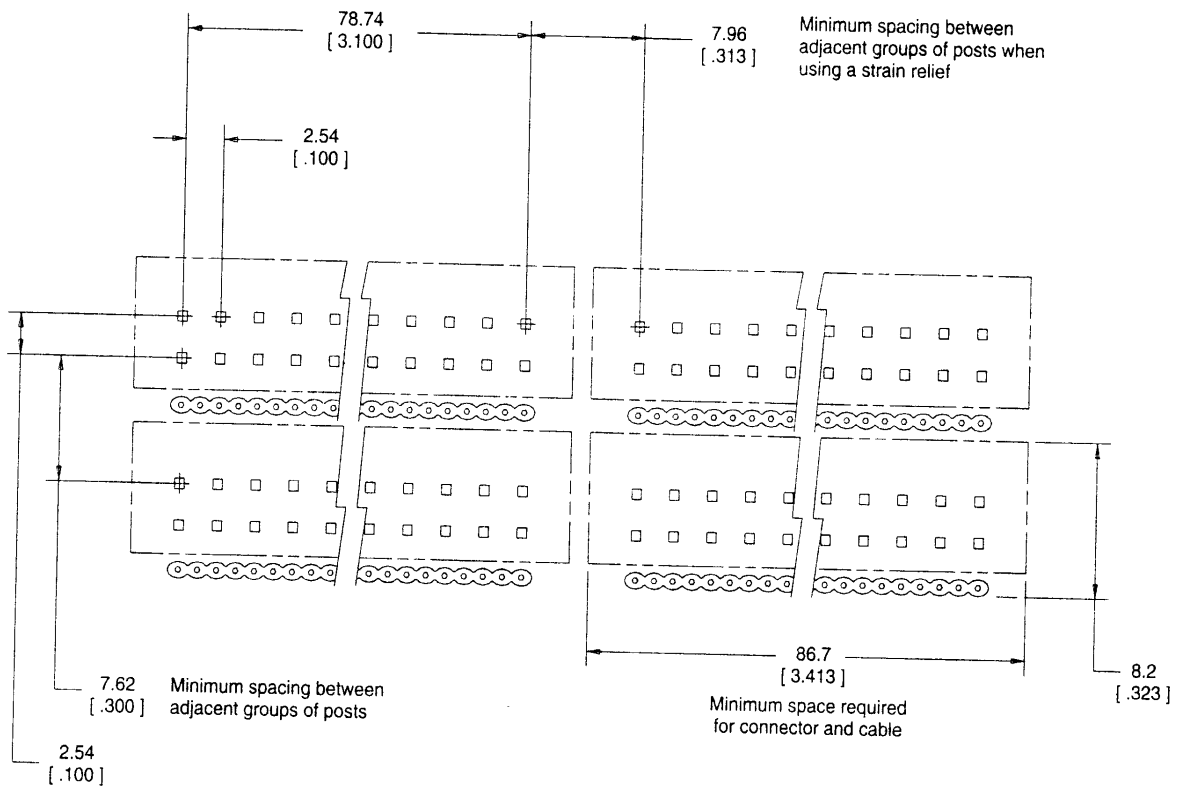
**Ordering Information**

**Socket**  
**62B64-100XXX**

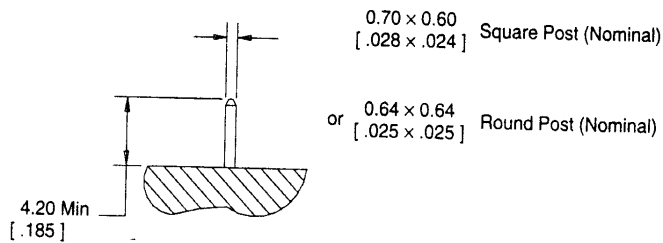
**Strain Relief**  
 (Order Separately)  
**3448-6201**

Mounting Style  
 0 = without Mounting Flange  
 1 = with Mounting Flange

Optional Plating:  
 ED = 50µ" [ 1.27 µm ]  
 EC = 30µ" [ 0.76 µm ]  
 EJ = 5µ" [ 0.13 µm ]



### Recommended Post Pattern



mm [Inch]			
Tolerance Unless Noted			
	.0	.00	.000
mm	±.3	±.13	

[ ] Dimensions for Reference only

**Note:**

1. Ends of posts to be located within 0.25 [ .01 ] TPD at post end.