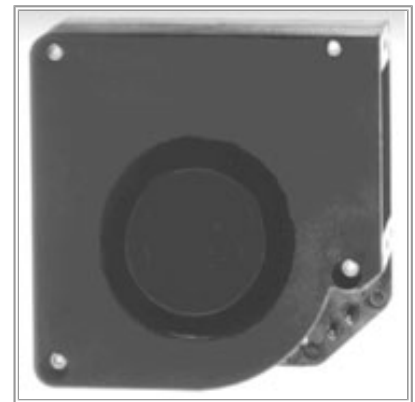




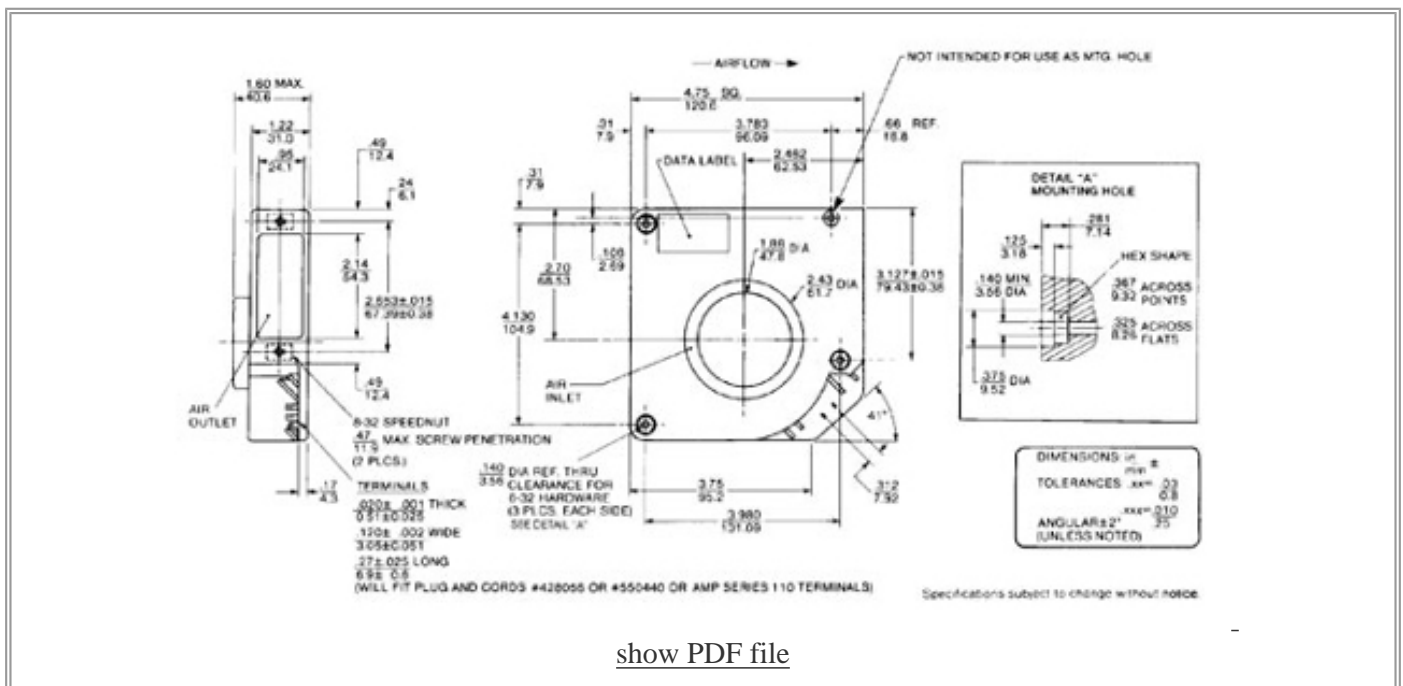
Biscuit AC (AC Blower)

COMAIR ROTRON PART NUMBER: **028448**
 COMAIR ROTRON MODEL NUMBER: **BT2A1**



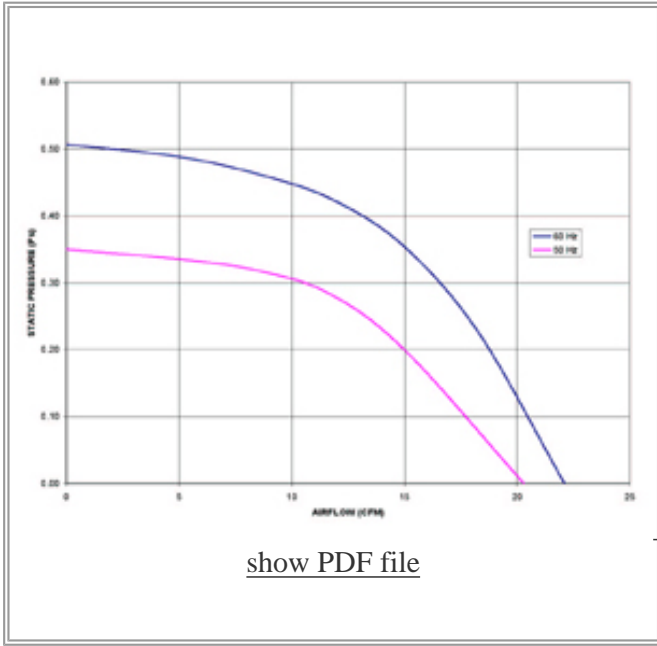
MOTOR	
Rated Voltage:	115
Operating Voltage Range:	
Running Current: 50Hz 60Hz (amps)	0.19 0.17
Locked Rotor Current: (amps)	0.24
Rated Power: 50Hz 60Hz (watts)	15.2 14.5
Nominal Speed: 50Hz 60Hz (rpm)	2500 2700

MECHANICAL	
Dimensions:	120.6mm x 39.6mm (4.75in x 1.56in)
Bearing Type:	Sleeve
Motor Base:	Plastic
Propeller:	Polypropylene, Black, UL94V-2



[show PDF file](#)

NOTES



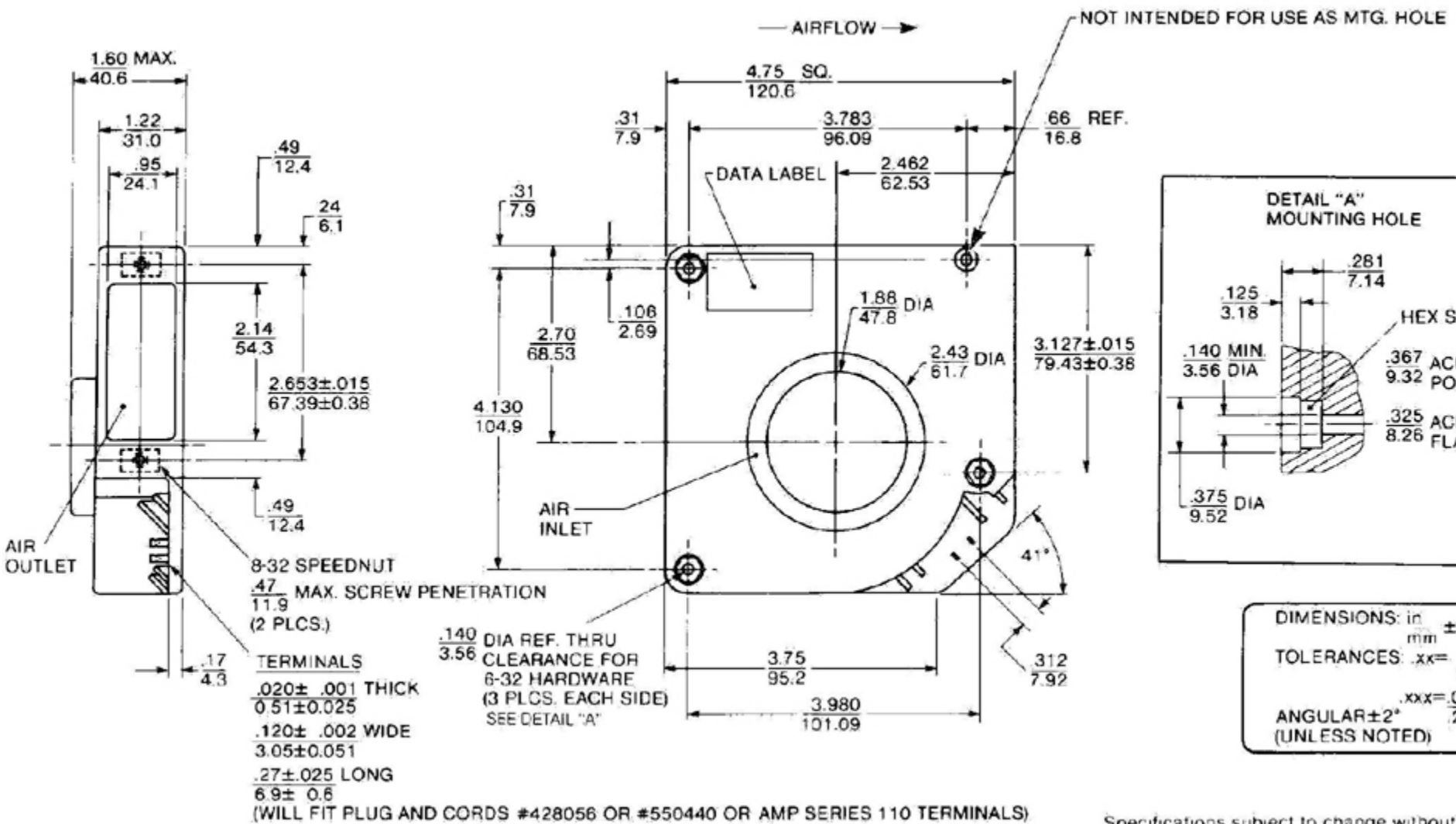
PERFORMANCE CHARACTERISTICS	
Air Flow: (CFM)	20/22
Static Pressure:	.350/.507

TERMINATION	
Leadwires:	Terminals

SAFETY	
	

All product names are used under license and are trademarks or registered trademarks of Comair Rotron, Inc.

[New Search](#)



Specifications subject to change without notice.