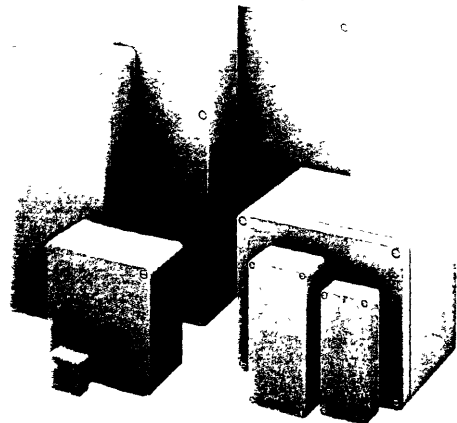




BERNSTEIN

Aluminium enclosures



- CA product range
- Accessories

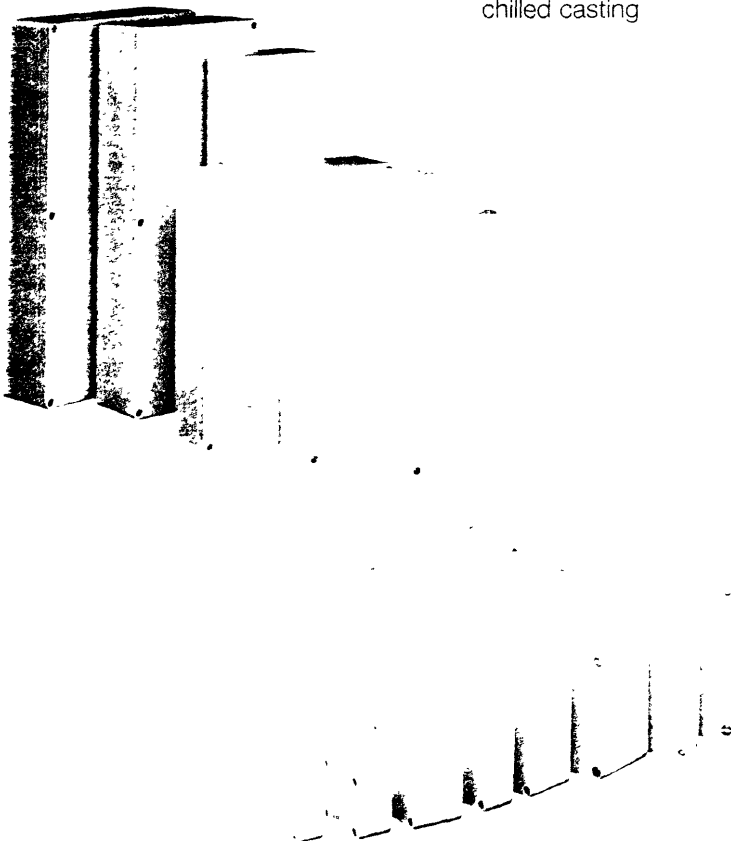


Aluminium enclosures CA series

BERNSTEIN aluminium enclosures have successfully demonstrated their suitability for encasing electrical, electronic or pneumatic components. All enclosures correspond to the protection class IP 65, according to IEC 529.

BERNSTEIN aluminium enclosures contain copper grounding screws (M4 or M6) in the base and lid for protective earth connection. The surface below the grounding screws is unpainted. The captive lid screws of BERNSTEIN enclosures are made of stainless steel and are held in place by a lock integrated in the lid. A gasket (for standard enclosures) is factory-fitted, and ensures conformance with the protection class. BERNSTEIN aluminium enclosures are surface-coated in RAL 7001 (silver-grey), as standard.

BERNSTEIN processes the aluminium enclosures using die-casting tools or chilled-casting tools. In the dimension table; the production method used has been indicated for each respective enclosure.



Attachment points inside the enclosure can be used to hold the mounted equipment in position (mounting rail, mounting plate, printed circuit board, etc.). Alternatively, the grounding bases may be used. These inner attachment points are situated at different heights and positions. (Refer to the illustrations for detailed positions.)

Technical data

Material

Pressure-cast aluminium or AlSi 12 (Cu) chilled casting

Gasket

Neoprene round seal (siliconised)

alternative:

Neoprene round seal

(silicone-free)

Silicone round seal

Lid screws

Stainless steel, captive, multi-purpose cross-recessed head

alternative:

- Stainless steel quick release for die-casting types, multi-purpose cross-recessed head

- Stainless steel hexagonal

socket head screws, captive

- Lead-sealed steel lid screws

(9 S 20 K), slotted head

Coating

RAL 7001 (silver-grey)

alternative:

- Special RAL colours

- Special coatings

Temperature range

-40°C to +80°C (neoprene gasket)

alternative:

-50°C to +130°C (silicone gasket)

or -30°C to +100°C

(explosion-hazardous area)

Protection class

IP 65

alternative:

higher protection class by request

Approval

PTB No. Ex 83/3120

PTB No. Ex-90C.3119

PTB No. Ex-90.C.3117 U

German Lloyd: No. 91 187-84HH

SEV 97.1 10396

UL: File E 168772 (N)



Application fields and characteristics

Material

BERNSTEIN aluminium enclosures display an impressive mechanical resistance. High resistance to chemicals and petrochemicals make these enclosures highly adaptable. The enclosures are supplied with a standard coating affording resistance to corrosion. This resistance can be further improved by the application of an additional protective coating. Alternatively, they can be passivated or a special protective coating, resistant to saltwater and suitable for external use, can be applied. Aluminium itself has excellent heat dissipation properties, and is well protected against high radio frequencies.

A silicone lid gasket can be used to increase the heat resistance at higher temperature ranges. For improved EMC resistance, a HF-proof variant is provided with an untreated groove-tongue surface in which a conductive gasket can be inserted.

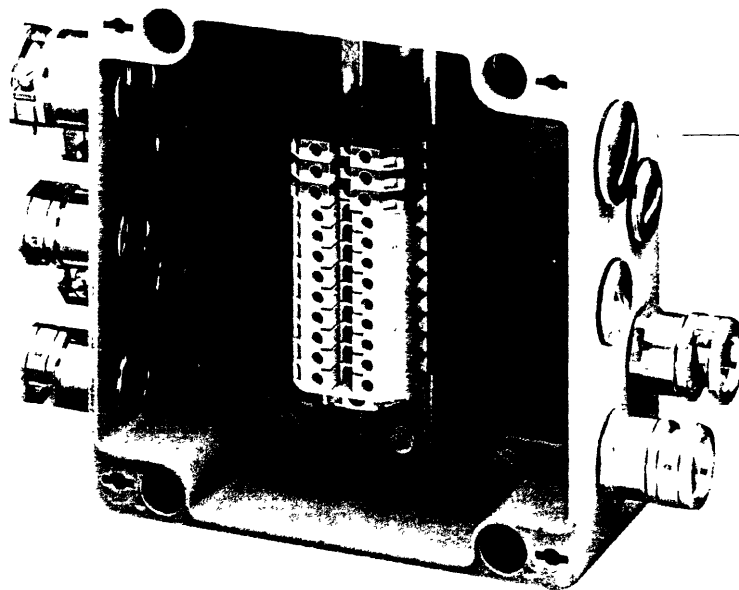
Application fields

As terminal boxes, compact distribution boards or control and device enclosures in mechanical and plant engineering, in automation, measurement, regulation and control engineering. The neutral, modifiable design ensures a wide range of possible applications. The high manufacturing standard of BERNSTEIN aluminium enclosures allows the encapsulation of expensive measuring devices. Alternatively they can be used as simple terminal boxes.

Customised machining service

A wide range of accessories for the individual enclosures can either be separately supplied, allowing individual assembly, or can be supplied fully assembled. The BERNSTEIN customised service offers complete mechanical enclosure machining. All equipment (including terminals, cable glands or customised mounting components) is included in the service, as is the individual coating or labelling of enclosures.

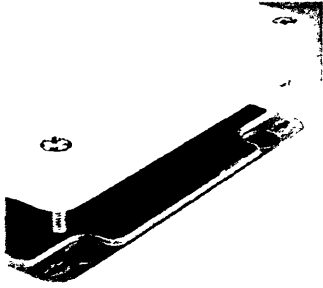
The aluminium enclosures are also available as Ex versions. More information can be found in the BERNSTEIN Ex catalogue.



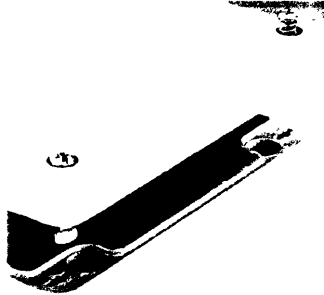
Aluminium enclosures - product line

Dimensions/mm	Aluminium enclosure	Cast type
L x W x H	Part No.	Type
50 x 45 x 30	102 0 0000.00	CA-020 dc
58 x 64 x 36	106 0 0000.00	CA-060 dc
98 x 64 x 36	108 0 0000.00	CA-080 dc
150 x 64 x 36	110 0 0000.00	CA-100 dc
75 x 80 x 57	113 0 0000.00	CA-130 dc
75 x 80 x 57	114 0 0000.00	CA-140 dc
125 x 80 x 57	115 0 0000 00	CA-150 dc
125 x 80 x 57	116 0 0000 00	CA-160 dc
175 x 80 x 57	117 0 0000.00	CA-170 dc
175 x 80 x 57	118 0 0000 00	CA-180 dc
250 x 80 x 57	119 0 0000.00	CA-190 dc
122 x 122 x 80	121 0 0000.00	CA-210 dc
122 x 122 x 90	121 0 0000.50	CA-215 dc
122 x 122 x 80	122 0 0000.00	CA-220 dc
220 x 122 x 80	123 0 0000.00	CA-230 dc
220 x 122 x 90	123 0 0000 50	CA-235 dc
220 x 122 x 80	124 0 0000 00	CA-240 dc
360 x 122 x 80	125 0 0000 00	CA-250 dc
160 x 160 x 90	127 0 0000.00	CA-270 dc
160 x 160 x 90	128 0 0000.00	CA-280 dc
260 x 160 x 90	129 0 0000.00	CA-290 dc
260 x 160 x 90	130 0 0000.00	CA-300 dc
360 x 160 x 90	131 0 0000.00	CA-310 dc
560 x 160 x 90	133 0 0000 00	CA-330 cc
200 x 230 x 110	135 0 0000.00	CA-350 dc
200 x 230 x 180	136 0 0000 00	CA-360 cc
280 x 230 x 110	137 0 0000.00	CA-370 dc
330 x 230 x 110	138 0 0000.00	CA-380 dc
330 x 230 x 180	139 0 0000.00	CA-390 cc
401 x 230 x 110	140 0 0000 00	CA-400 dc
600 x 230 x 110	142 0 0000 00	CA-420 cc
402 x 310 x 110	145 0 0000 00	CA-450 dc
402 x 310 x 180	146 0 0000.00	CA-460 cc
600 x 310 x 110	147 0 0000.00	CA-470 cc
600 x 310 x 180	148 0 0000 00	CA-480 cc

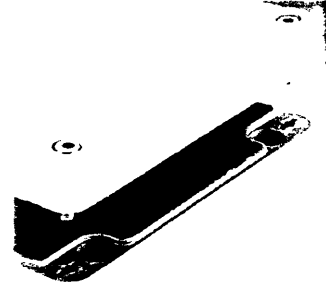
Complete enclosure versions Aluminium



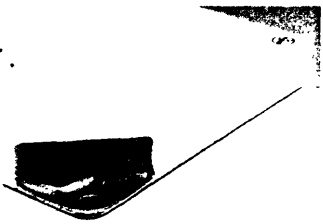
Standard, RAL 7001 coating,
Gasket and lid screws assembled,
packaged



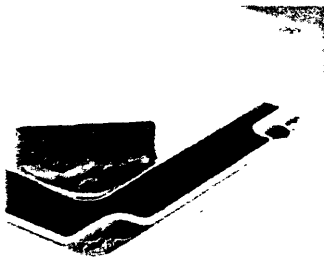
Enclosure with RAL 7001 coating,
Gasket assembled,
quick release is supplied, packaged



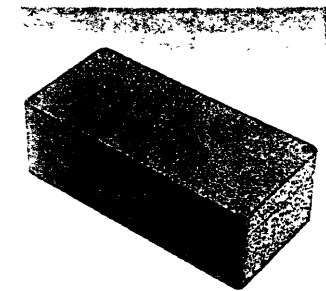
Enclosure with RAL 7001 coating,
Assembled gasket and Allen screws,
packaged



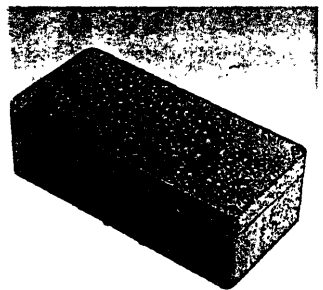
Enclosure, RAL 7001 coating,
Silicone gasket and lid screws
assembled, packaged



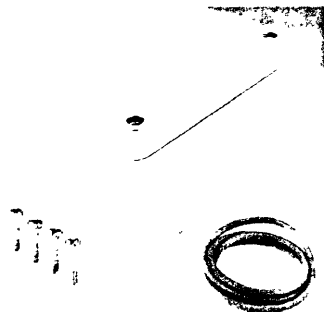
Enclosure with RAL 7001 coating,
Groove-tongue system unpainted,
HF gasket and lid screws assembled,
packaged



**Saltwater-proof enclosure with
RAL 5009 coating and priming,**
assembled gasket and lid screws,
packaged

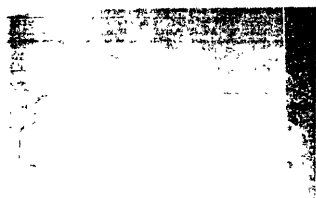


**Saltwater-proof enclosure,
passivated, primer and
RAL 5009 coating,**
Gasket and lid screws assembled,
packaged



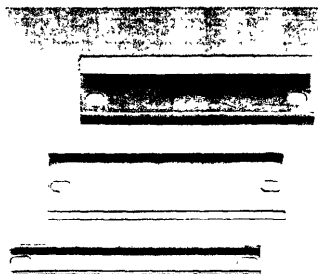
Enclosure unwashed,
unpainted, accessories such as gasket
and lid screws are supplied, but not
assembled

Accessories for aluminium enclosures



Mounting plates

Galvanised sheet steel (thickness: CA-060 to CA-310, CA-350 to CA-400: 1.5 mm; CA-330, CA-420 to CA-480: 2.5 mm) allows mounting of additional equipment.



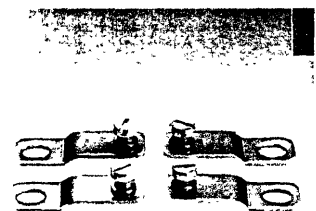
Mounting rails

Normal standard rails TS-15, TS-32 or TS-35 (steel), yellow-passivated for attachment of terminal blocks.



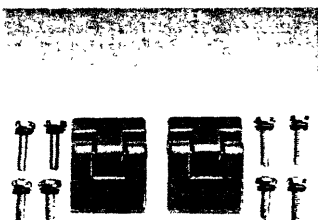
Grounding rails

Galvanised steel for connecting and routing of protective earth connection.



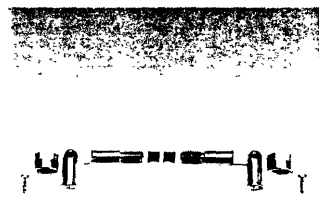
External attachment brackets

Stainless steel for mounting enclosures without opening the lid. Can be mounted in 90° steps at the base of the enclosure.



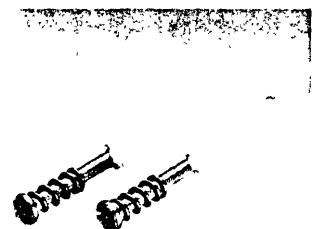
External hinges

For hinged attachment of the enclosure lid. Swivelling angle of lid approx. 155°. Aluminium casting, RAL 7001 coating. Mechanical machining is required for the enclosure mounting. Drill template is supplied.



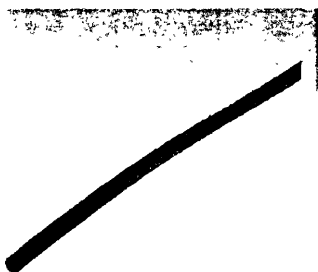
Internal hinges

For hinged attachment of the enclosure lid. Swivelling angle of lid approx. 95°. Made of stainless steel. Mechanical machining is required for the enclosure mounting.



Flexible quick-release internal hinges

Screw retainer and strain-relief for enclosure lid. Swivelling angle of lid > 180°. Stainless steel with sprayed polyamide ends.



Silicone lid gasket

Improved temperature resistance for subsequent mounting; can also be used to replace the standard lid gasket. Standard type made of silicone foam.



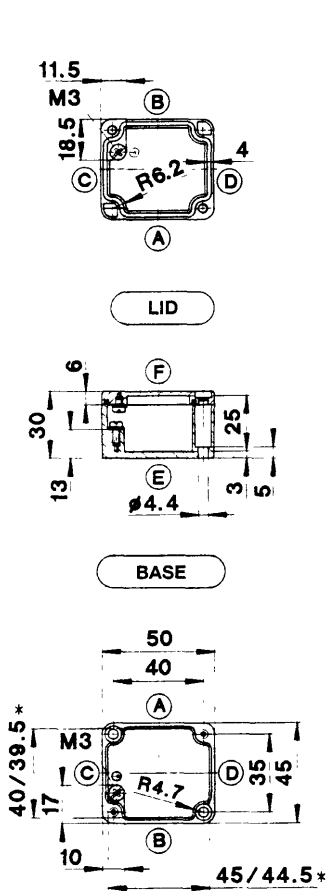


Siemens								WAGO												Weidmüller							
Low terminals				Caged tension spring				Terminal block												Terminal block							
4	4	10	25	4	4	10	6.2	10.2	6.2	10.2	4.2	5.2	5.2	6.2	6.2	8.2	10.2	12.2	6.2	6.2	6.5	8.2	10.2	12.2	5.2	6.2	
4	4	10	25	4	4	10	2.5	2.5	2.5	2.5	1.5	2.5	2.5	4	4	6	10	16	4	4	6	10	16	25	4	6	
2.5	4	6	16	2.5	4	6	2.5	2.5	2.5	2.5	1.5	2.5	2.5	4	4	6	10	16	4	2.5	4	6	10	15	2.5	4	
750	750	750	750	750	750	750	800	800	800	800	800	800	800	800	800	800	800	800	380	750	750	750	750	750	750	750	
26	35	46	85	36	36	65	26	26	26	26	18	26	26	34	34	44	61	82	36	27	36	47	65	87	26	34	
9.40.2.4000.00	8WA1011-IDF11	-	-	-	-	-	-	-	-	-	-	-	-	-	-	-	-	-	-	-	-	-	-	-	-	-	
9.40.2.4010.00	8WA1011-IDG11	-	-	-	-	-	-	-	-	-	-	-	-	-	-	-	-	-	-	-	-	-	-	-	-	-	
9.40.2.4020.00	8WA1011-IDH11	-	-	-	-	-	-	-	-	-	-	-	-	-	-	-	-	-	-	-	-	-	-	-	-	-	
9.40.2.4030.00	8WA1204	-	-	-	-	-	-	-	-	-	-	-	-	-	-	-	-	-	-	-	-	-	-	-	-	-	
9.40.2.4040.00	8WA2011-IDF20	-	-	-	-	-	-	-	-	-	-	-	-	-	-	-	-	-	-	-	-	-	-	-	-	-	
9.40.2.4050.00	8WA2011-IDG20	-	-	-	-	-	-	-	-	-	-	-	-	-	-	-	-	-	-	-	-	-	-	-	-	-	
9.40.2.4060.00	8WA2011-IDH20	-	-	-	-	-	-	-	-	-	-	-	-	-	-	-	-	-	-	-	-	-	-	-	-	-	
9.40.2.3020.00	264-701	-	-	-	-	-	-	-	-	-	-	-	-	-	-	-	-	-	-	-	-	-	-	-	-	-	
9.40.2.3030.00	264-721	-	-	-	-	-	-	-	-	-	-	-	-	-	-	-	-	-	-	-	-	-	-	-	-	-	
9.40.2.3210.00	264-711	-	-	-	-	-	-	-	-	-	-	-	-	-	-	-	-	-	-	-	-	-	-	-	-	-	
9.40.2.3220.00	264-731	-	-	-	-	-	-	-	-	-	-	-	-	-	-	-	-	-	-	-	-	-	-	-	-	-	
9.40.2.3230.00	279-621	-	-	-	-	-	-	-	-	-	-	-	-	-	-	-	-	-	-	-	-	-	-	-	-	-	
9.40.2.0930.00	280-601	-	-	-	-	-	-	-	-	-	-	-	-	-	-	-	-	-	-	-	-	-	-	-	-	-	
9.40.2.3240.00	280-901	-	-	-	-	-	-	-	-	-	-	-	-	-	-	-	-	-	-	-	-	-	-	-	-	-	
9.40.2.3250.00	281-601	-	-	-	-	-	-	-	-	-	-	-	-	-	-	-	-	-	-	-	-	-	-	-	-	-	
9.40.2.3260.00	281-901	-	-	-	-	-	-	-	-	-	-	-	-	-	-	-	-	-	-	-	-	-	-	-	-	-	
9.40.2.3270.00	282-601	-	-	-	-	-	-	-	-	-	-	-	-	-	-	-	-	-	-	-	-	-	-	-	-	-	
9.40.2.3280.00	284-601	-	-	-	-	-	-	-	-	-	-	-	-	-	-	-	-	-	-	-	-	-	-	-	-	-	
9.40.2.3290.00	283-601	-	-	-	-	-	-	-	-	-	-	-	-	-	-	-	-	-	-	-	-	-	-	-	-	-	
9.40.2.0500.00	AKZ 2.0	-	-	-	-	-	-	-	-	-	-	-	-	-	-	-	-	-	-	-	-	-	-	-	-	-	
9.40.2.0130.00	AKZ 4 PA	-	-	-	-	-	-	-	-	-	-	-	-	-	-	-	-	-	-	-	-	-	-	-	-	-	
9.40.2.0140.00	SAK 2.0 PA	-	-	-	-	-	-	-	-	-	-	-	-	-	-	-	-	-	-	-	-	-	-	-	-	-	
9.40.2.0150.00	SAK 4 PA	-	-	-	-	-	-	-	-	-	-	-	-	-	-	-	-	-	-	-	-	-	-	-	-	-	
9.40.2.0160.00	SAK 6 NPA	-	-	-	-	-	-	-	-	-	-	-	-	-	-	-	-	-	-	-	-	-	-	-	-	-	
9.40.2.0470.00	SAK 10 PA	-	-	-	-	-	-	-	-	-	-	-	-	-	-	-	-	-	-	-	-	-	-	-	-	-	
9.40.2.0170.00	SAK 16 PA	-	-	-	-	-	-	-	-	-	-	-	-	-	-	-	-	-	-	-	-	-	-	-	-	-	
9.40.2.1460.00	WDU 2.5	-	-	-	-	-	-	-	-	-	-	-	-	-	-	-	-	-	-	-	-	-	-	-	-	-	
9.40.2.1470.00	WDU 4	-	-	-	-	-	-	-	-	-	-	-	-	-	-	-	-	-	-	-	-	-	-	-	-	-	

X

50 x 45 x 30 mm

CA-020 Aluminium enclosure

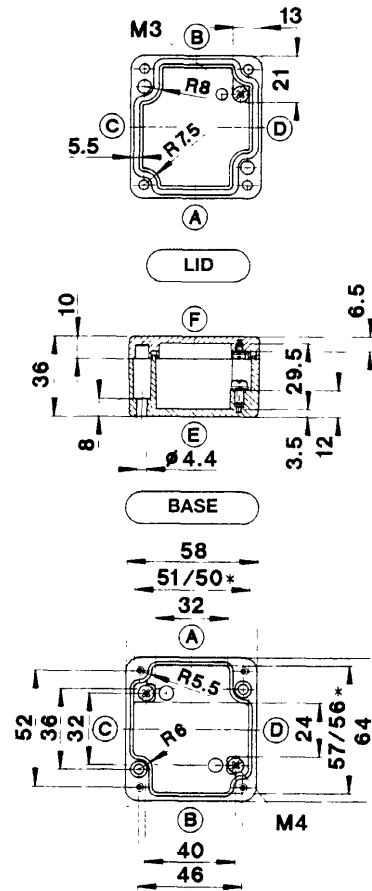


* minimum dimensions
of mounting plate support

type	CA-020
weight	(g) 70
external dimensions	(mm) 50 x 45 x 30
complete enclosures	Part No.
coated, with gasket and lid screws	102.0.0000.00 ●
coated, with gasket and quick release screws	—
coated, with gasket and hex.socket head screws	—
coated, with silicone gasket and lid screws	—
coated, with HF gasket and lid screws	—
saltwater-proof coating, with gasket and lid screws	102.0.0100.00
saltwater-proof coating, passivated, lid screws with gasket	102.0.0060.00
unwashed, unpainted, no accessories	102.0.0340.00
accessories (separate or as a mounting set)	
mounting plate	—
TS mounting rail	—
TS mounting rail	—
grounding rail	—
external attachment brackets	—
external hinges **	—
internal hinges, flexible, for quick-release enclosures	—
internal hinges with lid guiding **	—
silicone gasket for wider temperature range (piece goods)	—
max. PG threads	
PG	7 9 11 13.5 16 21 29 36 42 48
side A / B	2 1 1 — — — — — —
side C / D	1 1 — — — — — — —
** mechanical enclosure machining required	● = kept in stock

58 x 64 x 36 mm

CA-060 Aluminium enclosure



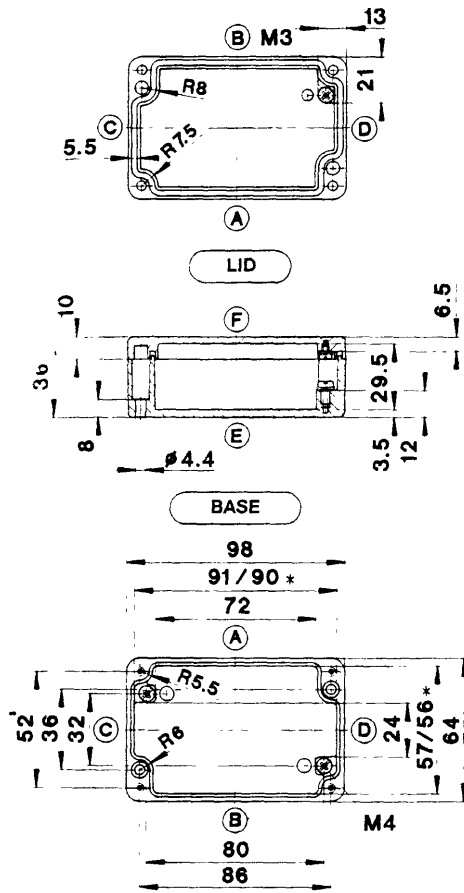
* minimum dimensions
of mounting plate support

type	CA-060
weight	(g) 160
external dimensions	(mm) 58 x 64 x 36
complete enclosures	Part No.
coated, with gasket and lid screws	106.0.0000.00 ●
coated, with gasket and quick release screws	—
coated, with gasket and hex.socket head screws	—
coated, with silicone gasket and lid screws	106.0.0940.00
coated, with HF gasket and lid screws	106.0.0080.00
saltwater-proof coating, with gasket and lid screws	106.0.0100.00
saltwater-proof coating, passivated, lid screws with gasket	106.0.0060.00
unwashed, unpainted, no accessories	106.0.0380.00
accessories (separate or as a mounting set)	
mounting plate	951.1.0010.00 ●
TS 15 mounting rail	982.0.0000.00 ●
TS mounting rail	—
grounding rail	—
external attachment brackets	—
external hinges **	—
internal hinges, flexible, for quick-release enclosures	—
internal hinges with lid guiding **	—
silicone gasket for wider temperature range (piece goods)	923.1.0050.00 ●
max. PG threads	
PG	7 9 11 13.5 16 21 29 36 42 48
side A / B	2 1 1 1 — — — — —
side C / D	1 1 1 1 — — — — —
** mechanical enclosure machining required	● = kept in stock



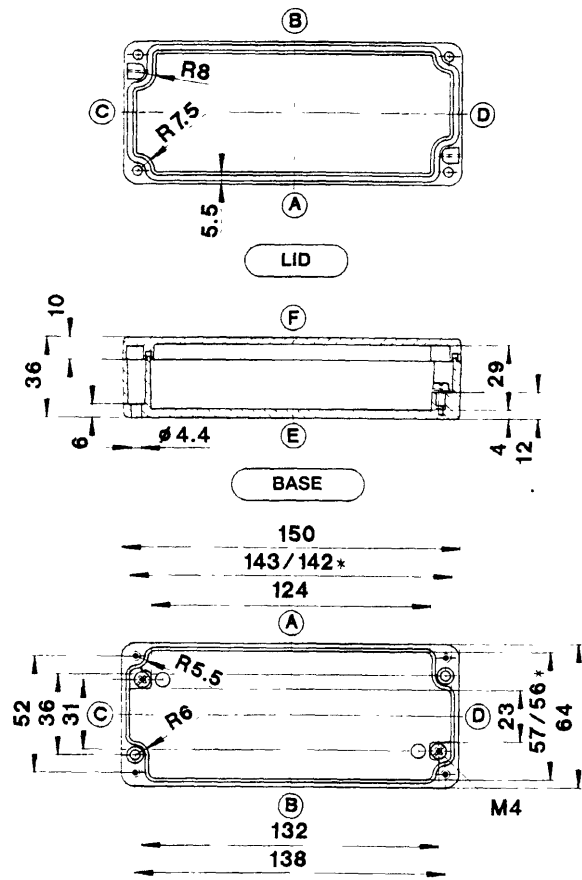
98 x 64 x 36 mm

CA-080 Aluminium enclosure



150 x 64 x 36 mm

CA-100 Aluminium enclosure



* minimum dimensions at level of mounting plate support

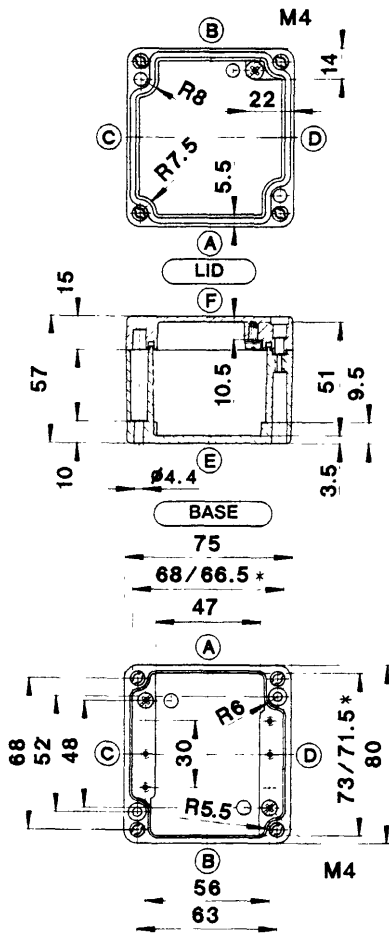
* minimum dimensions at level of mounting plate support

type	CA-080
weight	(g) 220
external dimensions	(mm) 98 x 64 x 36
complete enclosures	Part No.
coated, with gasket and lid screws	108.0.0000.00 ●
coated, with gasket and quick release screws	—
coated, with gasket and hex.socket head screws	—
coated, with silicone gasket and lid screws	108.0.0090.00
coated, with HF gasket and lid screws	108.0.0080.00
saltwater-proof coating, with gasket and lid screws	108.0.0100.00
saltwater-proof coating, passivated, lid screws with gasket	108.0.0060.00
unwashed, unpainted, no accessories	108.0.0420.00
accessories (separate or as a mounting set)	
mounting plate	951.1.0020.00 ●
TS 15 mounting rail	982.0.0050.00 ●
TS mounting rail	—
grounding rail	—
external attachment brackets	—
external hinges **	—
internal hinges, flexible, for quick-release enclosures	—
internal hinges with lid guiding **	—
silicone gasket for wider temperature range (piece goods)	923.1.0050.00 ●
max. PG threads	
PG	7 9 11 13.5 16 21 29 36 42 48
side A / B	4 3 3 2 — — — — —
side C / D	1 1 1 1 — — — — —
● = kept in stock	

type	CA-100
weight	(g) 330
external dimensions	(mm) 150 x 64 x 36
complete enclosures	Part No.
coated, with gasket and lid screws	110.0.0000.00 ●
coated, with gasket and quick release screws	—
coated, with gasket and hex.socket head screws	—
coated, with silicone gasket and lid screws	110.0.0760.00
coated, with HF gasket and lid screws	110.0.0080.00
saltwater-proof coating, with gasket and lid screws	110.0.0100.00
saltwater-proof coating, passivated, lid screws with gasket	110.0.0060.00
unwashed, unpainted, no accessories	110.0.0530.00
accessories (separate or as a mounting set)	
mounting plate	951.1.0030.00 ●
TS 15 mounting rail	982.0.0110.00 ●
TS mounting rail	—
grounding rail	—
external attachment brackets	—
external hinges **	—
internal hinges, flexible, for quick-release enclosures	—
internal hinges with lid guiding **	—
silicone gasket for wider temperature range (piece goods)	923.1.0050.00 ●
max. PG threads	
PG	7 9 11 13.5 16 21 29 36 42 48
side A / B	7 8 5 4 — — — — —
side C / D	1 1 1 1 — — — — —
● = kept in stock	

75 x 80 x 57 mm

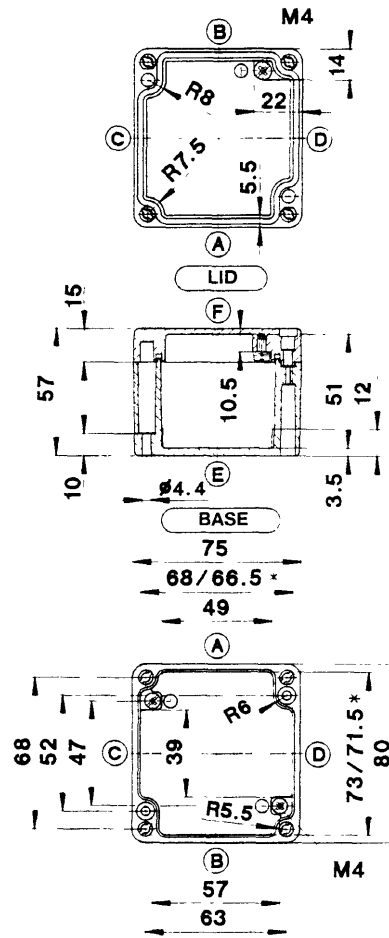
CA-130 Aluminium enclosure



* minimum dimensions at level of mounting plate support

75 x 80 x 57 mm

CA-140 Aluminium enclosure



* minimum dimensions at level of mounting plate support

type	CA-130
weight	(g) 280
external dimensions	(mm) 75 x 80 x 57
complete enclosures	Part No.
coated, with gasket and lid screws	113.0.0000.00 ●
coated, with gasket and quick release screws	113.0.0070.00 ●
coated, with gasket and hex socket head screws	—
coated, with silicone gasket and lid screws	113.0.0820.00
coated, with HF gasket and lid screws	113.0.0080.00
saltwater-proof coating, with gasket and lid screws	113.0.0100.00
saltwater-proof coating, passivated, lid screws with gasket	113.0.0060.00
unwashed, unpainted, no accessories	113.0.0570.00
accessories (separate or as a mounting set)	
mounting plate	982.3.0150.00 ●
TS 15 mounting rail	982.0.0020.00 ●
TS mounting rail	—
grounding rail	—
external attachment brackets	—
external hinges **	980.1.0430.00 ●
internal hinges, flexible, for quick-release enclosures	980.1.0740.00 ●
internal hinges with lid guiding **	—
silicone gasket for wider temperature range (piece goods)	923.1.0050.00 ●

max. PG threads										
PG	7	9	11	13.5	16	21	29	36	42	48
side A / B	5	3	2	2	1	1	—	—	—	—
side C / D	5	2	2	2	1	—	—	—	—	—

** mechanical enclosure machining required ● = kept in stock

type	CA-140
weight	(g) 280
external dimensions	(mm) 75 x 80 x 57
complete enclosures	Part No.
coated, with gasket and lid screws	114.0.0000.00 ●
coated, with gasket and quick release screws	114.0.0070.00 ●
coated, with gasket and hex socket head screws	—
coated, with silicone gasket and lid screws	114.0.0860.00
coated, with HF gasket and lid screws	114.0.0080.00
saltwater-proof coating, with gasket and lid screws	114.0.0100.00
saltwater-proof coating, passivated, lid screws with gasket	114.0.0060.00
unwashed, unpainted, no accessories	114.0.0800.00
accessories (separate or as a mounting set)	
mounting plate	951.1.0040.00 ●
TS 15 mounting rail	982.0.0350.00 ●
TS mounting rail	—
grounding rail	—
external attachment brackets	—
external hinges **	980.1.0430.00 ●
internal hinges, flexible, for quick-release enclosures	980.1.0740.00 ●
internal hinges with lid guiding **	—
silicone gasket for wider temperature range (piece goods)	923.1.0050.00 ●

max. PG threads										
PG	7	9	11	13.5	16	21	29	36	42	48
side A / B	5	3	2	2	1	1	—	—	—	—
side C / D	3	2	2	2	1	1	—	—	—	—

** mechanical enclosure machining required ● = kept in stock



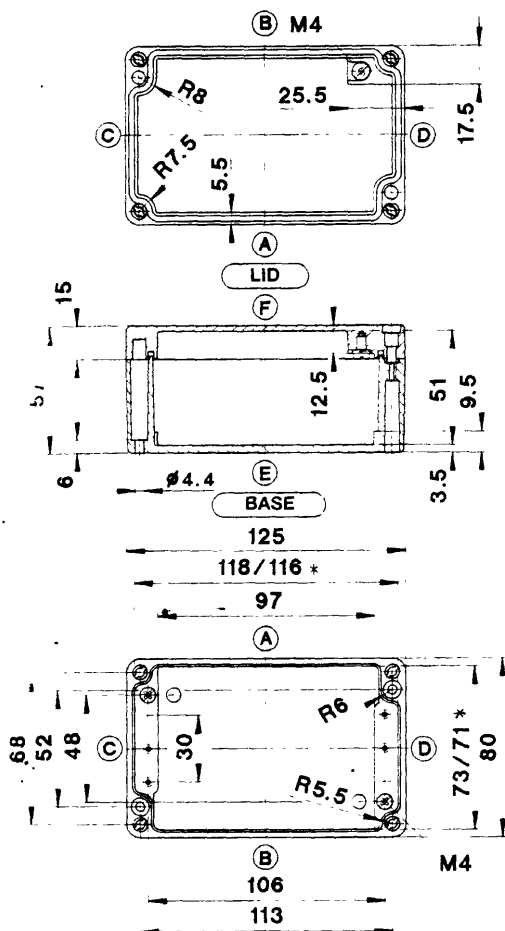
BERNSTEIN

125 x 80 x 57 mm

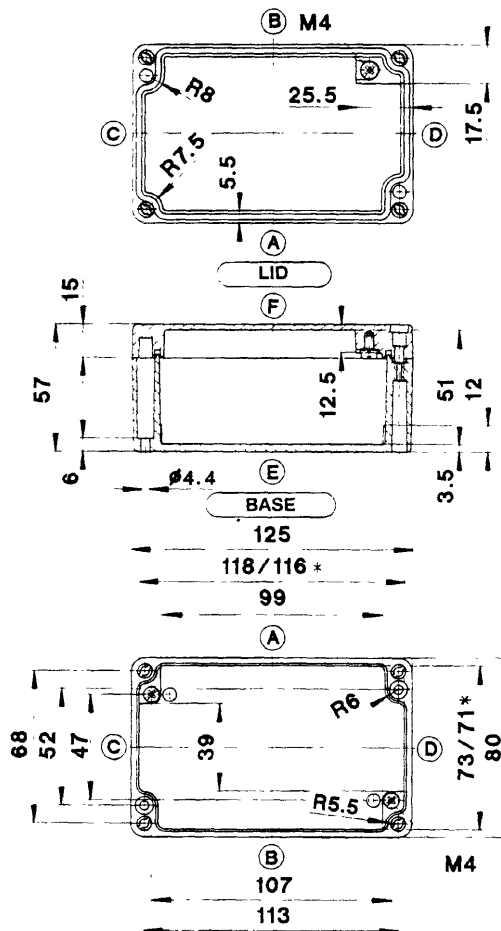
CA-150 Aluminium enclosure

125 x 80 x 57 mm

CA-160 Aluminium enclosure



* minimum dimensions at level of mounting plate support



* minimum dimensions at level of mounting plate support

type	CA-150
weight	(g) 435
external dimensions	(mm) 125 x 80 x 57*
complete enclosures	Part No.
coated, with gasket and lid screws	115.0.0000.00 ●
coated, with gasket and quick release screws	115.0.0070.00 ●
coated, with gasket and hex socket head screws	—
coated, with silicone gasket and lid screws	115.0.0090.00
coated, with HF gasket and lid screws	115.0.0080.00
saltwater-proof coating, with gasket and lid screws	115.0.0100.00
saltwater-proof coating, passivated, lid screws with gasket	115.0.0060.00
unwashed, unpainted, no accessories	115.0.0190.00
accessories (separate or as a mounting set)	
mounting plate	982.3.0160.00 ●
TS 15 mounting rail	982.0.0100.00 ●
TS mounting rail	—
grounding rail	—
external attachment brackets	—
external hinges side C/D **	980.1.0430.00 ●
external hinges side A/B **	980.1.0440.00 ●
internal hinges, flexible, for quick-release enclosures	980.1.0740.00 ●
internal hinges with lid guiding **	—
silicone gasket for wider temperature range (piece goods)	923.1.0050.00 ●
max. PG threads	
PG	7 9 11 13.5 16 21 29 36 42 48
side A / B	10 6 4 4 3 2 — — —
side C / D	2 2 2 2 1 — — —

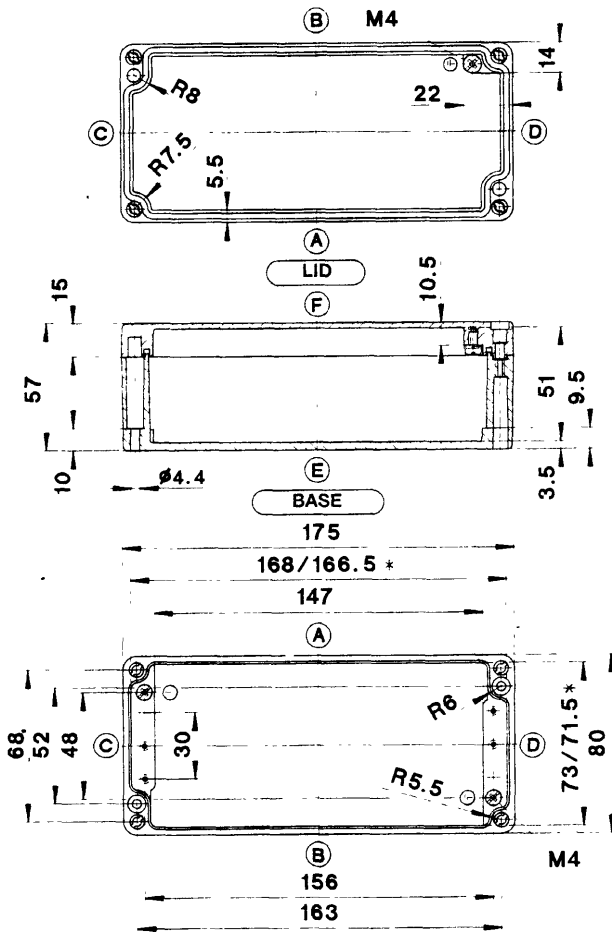
** mechanical enclosure machining required ● = kept in stock

type	CA-160
weight	(g) 435
external dimensions	(mm) 125 x 80 x 57
complete enclosures	Part No.
coated, with gasket and lid screws	116.0.0000.00 ●
coated, with gasket and quick release screws	116.0.0070.00 ●
coated, with gasket and hex socket head screws	—
coated, with silicone gasket and lid screws	116.0.1380.00
coated, with HF gasket and lid screws	116.0.0080.00
saltwater-proof coating, with gasket and lid screws	116.0.0100.00
saltwater-proof coating, passivated, lid screws with gasket	116.0.0060.00
unwashed, unpainted, no accessories	116.0.0450.00
accessories (separate or as a mounting set)	
mounting plate	951.1.0050.00 ●
TS 15 mounting rail	982.0.0360.00 ●
TS mounting rail	—
grounding rail	—
external attachment brackets	—
external hinges side C/D **	980.1.0430.00 ●
external hinges side A/B **	980.1.0440.00 ●
internal hinges, flexible, for quick-release enclosures	980.1.0740.00 ●
internal hinges with lid guiding **	—
silicone gasket for wider temperature range (piece goods)	923.1.0050.00 ●
max. PG threads	
PG	7 9 11 13.5 16 21 29 36 42 48
side A / B	8 8 4 4 3 2 — — —
side C / D	2 2 2 2 1 1 — — —

** mechanical enclosure machining required ● = kept in stock

175 x 80 x 57 mm

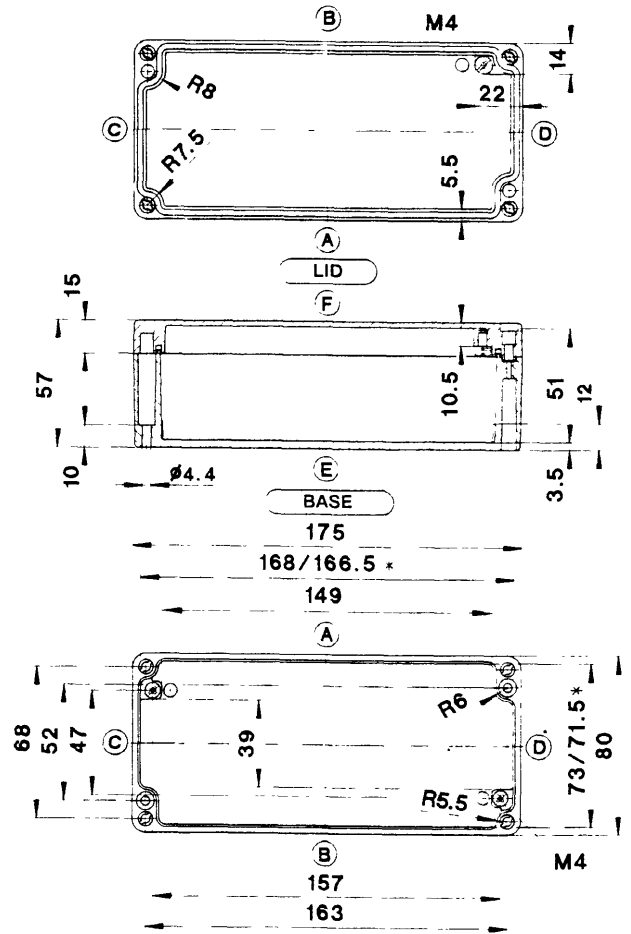
CA-170 Aluminium enclosure



* minimum dimensions at level of mounting plate support

175 x 80 x 57 mm

CA-180 Aluminium enclosure



* minimum dimensions at level of mounting plate support

type	CA-170
weight	(g) 530
external dimensions	(mm) 175 x 80 x 57
complete enclosures	Part No.
coated, with gasket and lid screws	117.0.0000.00 ●
coated, with gasket and quick release screws	117.0.0070.00 ●
coated, with gasket and hex.socket head screws	—
coated, with silicone gasket and lid screws	117.0.0090.00
coated, with HF gasket and lid screws	117.0.0080.00
saltwater-proof coating, with gasket and lid screws	117.0.0100.00
saltwater-proof coating, passivated, lid screws with gasket	117.0.0060.00
unwashed, unpainted, no accessories	117.0.0160.00
accessories (separate or as a mounting set)	
mounting plate	982.3.0170.00 ●
TS 15 mounting rail	982.0.0140.00 ●
TS mounting rail	—
grounding rail	—
external attachment brackets	—
external hinges side C/D **	980.1.0430.00 ●
external hinges side A/B **	980.1.0440.00 ●
internal hinges flexible, for quick-release enclosures	980.1.0740.00 ●
internal hinges with lid guiding **	—
silicone gasket for wider temperature range (piece goods)	923.1.0050.00 ●
max. PG threads	
PG	7 9 11 13.5 16 21 29 36 42 48
side A / B	14 12 6 6 5 4 — — — —
side C / D	2 2 2 2 1 — — — —

** mechanical enclosure machining required

● = kept in stock

type	CA-180
weight	(g) 530
external dimensions	(mm) 175 x 80 x 57
complete enclosures	Part No.
coated, with gasket and lid screws	118.0.0000.00 ●
coated, with gasket and quick release screws	118.0.0070.00 ●
coated, with gasket and hex.socket head screws	—
coated, with silicone gasket and lid screws	118.0.0440.00
coated, with HF gasket and lid screws	118.0.0080.00
saltwater-proof coating, with gasket and lid screws	118.0.0100.00
saltwater-proof coating, passivated, lid screws with gasket	118.0.0060.00
unwashed, unpainted, no accessories	118.0.0400.00
accessories (separate or as a mounting set)	
mounting plate	951.1.0060.00 ●
TS 15 mounting rail	982.0.0370.00 ●
TS mounting rail	—
grounding rail	—
external attachment brackets	—
external hinges side C/D **	980.1.0430.00 ●
external hinges side A/B **	980.1.0440.00 ●
internal hinges flexible, for quick-release enclosures	980.1.0740.00 ●
internal hinges with lid guiding **	—
silicone gasket for wider temperature range (piece goods)	923.1.0050.00 ●
max. PG threads	
PG	7 9 11 13.5 16 21 29 36 42 48
side A / B	14 12 6 8 5 4 — — — —
side C / D	2 2 2 2 1 1 — — — —

** mechanical enclosure machining required

● = kept in stock

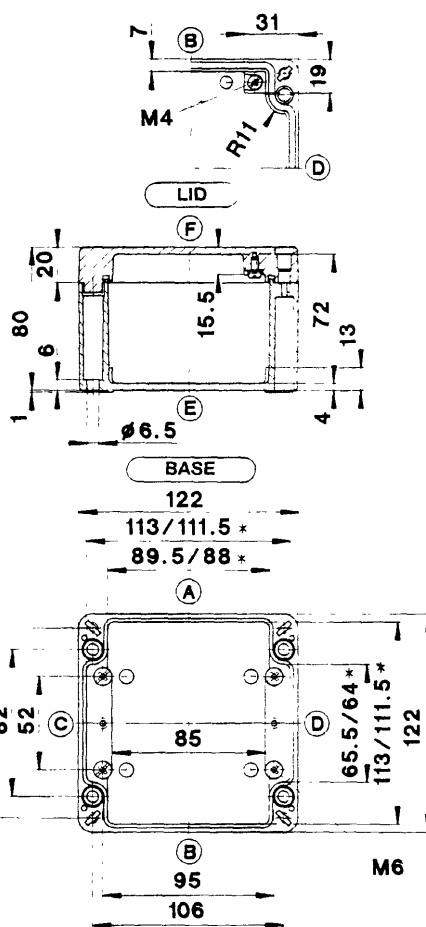
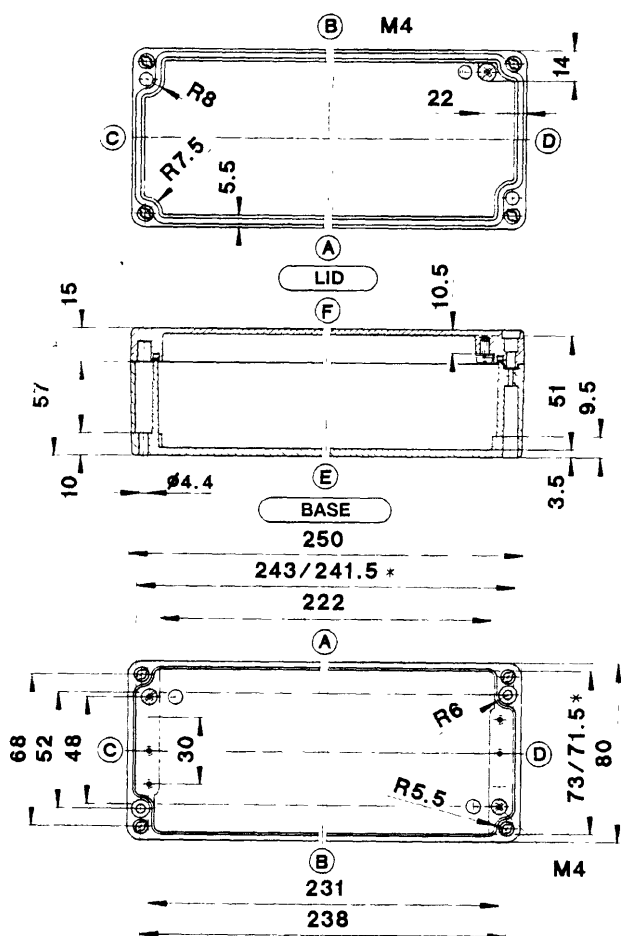


250 x 80 x 57 mm

CA-190 Aluminium enclosure

122 x 122 x 80 mm

CA-210 Aluminium enclosure



* minimum dimensions at level of mounting plate support

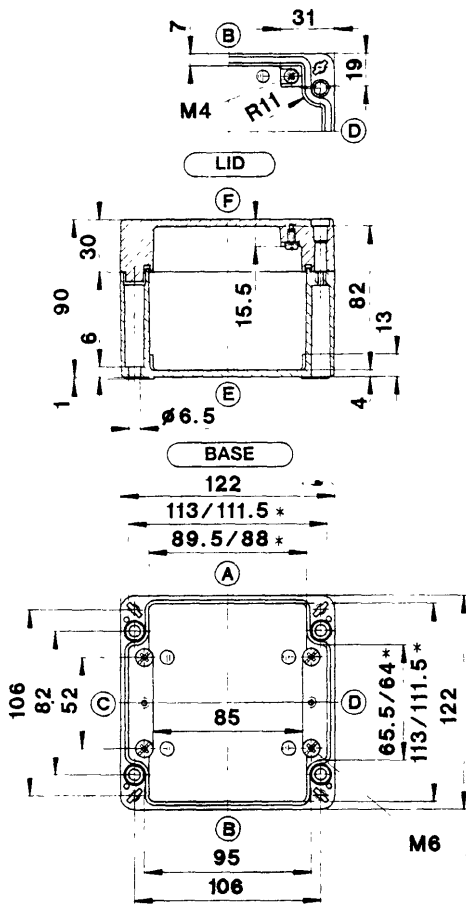
* minimum dimensions at level of mounting plate support

Type	CA-190
weight (g)	710
external dimensions (mm)	250 x 80 x 57
complete enclosures	Part No.
coated, with gasket and lid screws	119.0.0000.00 ●
coated, with gasket and quick release screws	119.0.0070.00 ●
coated, with gasket and hex socket head screws	—
coated, with silicone gasket and lid screws	119.0.0480.00
coated, with HF gasket and lid screws	119.0.0080.00
saltwater-proof coating, with gasket and lid screws	119.0.0100.00
saltwater-proof coating, passivated, lid screws with gasket	119.0.0060.00
unwashed, unpainted, no accessories	119.0.0260.00
accessories (separate or as a mounting set)	
mounting plate	982.3.0210.00 ●
TS 15 mounting rail	982.0.0190.00 ●
TS mounting rail	—
grounding rail	—
external attachment brackets	—
external hinges side C/D **	980.1.0430.00 ●
external hinges side A/B **	980.1.0440.00 ●
internal hinges, flexible for quick-release enclosures	980.1.0740.00 ●
internal hinges with lid guiding **	—
Silicone gasket for wider temperature range (piece goods)	923.1.0050.00 ●
max. PG threads	
PG	7 9 11 13.5 16 21 29 36 42 48
side A / B	24 15 10 8 7 6 — — — —
side C / D	3 2 2 1 1 — — — —
** mechanical enclosure machining required ● = kept in stock	

Type	CA-210
weight (g)	940
external dimensions (mm)	122 x 122 x 80
complete enclosures	Part No.
coated, with gasket and lid screws	121.0.0000.00 ●
coated, with gasket and quick release screws	121.0.0090.00 ●
coated, with gasket and hex socket head screws	121.0.0010.00
coated, with silicone gasket and lid screws	121.0.0150.00
coated, with HF gasket and lid screws	121.0.0080.00
saltwater-proof coating, with gasket and lid screws	121.0.0100.00
saltwater-proof coating, passivated, lid screws with gasket	121.0.0060.00
unwashed, unpainted, no accessories	121.0.0160.00
accessories (separate or as a mounting set)	
mounting plate	951.1.1500.00 ●
TS 32 mounting rail	982.1.0000.00 ●
TS 35 mounting rail	982.2.0010.00
grounding rail	981.0.0020.00
external attachment brackets	982.4.0240.00 ●
external hinges **	980.1.0470.00 ●
internal hinges, flexible, for quick-release enclosures	980.1.0750.00 ●
internal hinges with lid guiding **	980.1.0310.00 ●
silicone gasket for wider temperature range (piece goods)	923.1.0060.00 ●
max. PG threads	
PG	7 9 11 13.5 16 21 29 36 42 48
side A / B	12 8 6 6 4 3 2 1 — —
side C / D	5 3 2 2 2 1 — — — —
** mechanical enclosure machining required ● = kept in stock	

122 x 122 x 90 mm

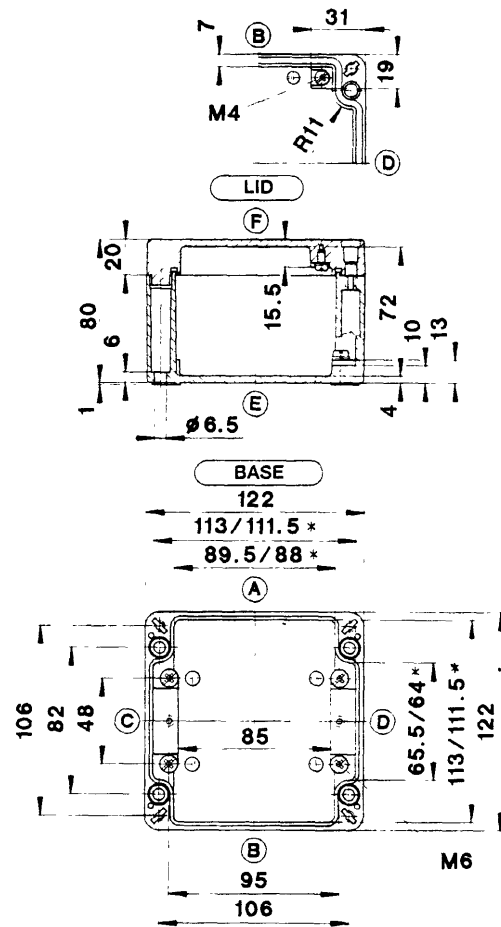
CA-215 Aluminium enclosure



* minimum dimensions at level of mounting plate support

122 x 122 x 80 mm

CA-220 Aluminium enclosure



* minimum dimensions at level of mounting plate support

type	CA-215
weight	(g) 920
external dimensions	(mm) 122 x 122 x 90
complete enclosures	Part No.
coated, with gasket and lid screws	121.0.0000.50 ●
coated, with gasket and quick release screws	121.0.0090.50 ●
coated, with gasket and hex socket head screws	121.0.0010.50
coated, with silicone gasket and lid screws	121.0.0110.50
coated, with HF gasket and lid screws	121.0.0080.50
saltwater-proof coating, with gasket and lid screws	121.0.0100.50
saltwater-proof coating, passivated, lid screws with gasket	121.0.0060.50
unwashed, unpainted, no accessories	121.0.0120.50
accessories (separate or as a mounting set)	
mounting plate	951.1.1500.00 ●
TS 32 mounting rail	982.1.0000.00 ●
TS 35 mounting rail	982.2.0010.00 ●
grounding rail	981.0.0020.00 ●
external attachment brackets	982.4.0240.00 ●
external hinges **	980.1.0470.00 ●
internal hinges, flexible, for quick-release enclosures	—
internal hinges with lid guiding **	980.1.0310.00 ●
silicone gasket for wider temperature range (piece goods)	923.1.0060.00 ●

max. PG threads										
PG	7	9	11	13.5	16	21	29	36	42	48
side A / B	12	8	6	6	4	3	2	1	—	—
*side C / D	5	3	2	2	2	1	—	—	—	—

** mechanical enclosure machining required

● = kept in stock

type	CA-220
weight	(g) 940
external dimensions	(mm) 122 x 122 x 80
complete enclosures	Part No.
coated, with gasket and lid screws	122.0.0000.00 ●
coated, with gasket and quick release screws	122.0.0090.00 ●
coated, with gasket and hex socket head screws	122.0.0010.00
coated, with silicone gasket and lid screws	122.0.0270.00
coated, with HF gasket and lid screws	122.0.0080.00
saltwater-proof coating, with gasket and lid screws	122.0.0100.00
saltwater-proof coating, passivated, lid screws with gasket	122.0.0060.00
unwashed, unpainted, no accessories	122.0.0610.00
accessories (separate or as a mounting set)	
mounting plate	951.1.0080.00 ●
TS 32 mounting rail	982.1.0000.00 ●
TS 35 mounting rail	982.2.0010.00 ●
grounding rail	981.0.0020.00 ●
external attachment brackets	982.4.0240.00 ●
external hinges **	980.1.0470.00 ●
internal hinges, flexible, for quick-release enclosures	980.1.0750.00 ●
internal hinges with lid guiding **	980.1.0310.00 ●
silicone gasket for wider temperature range (piece goods)	923.1.0060.00 ●

max. PG threads										
PG	7	9	11	13.5	16	21	29	36	42	48
side A / B	12	8	6	6	4	3	2	1	—	—
side C / D	5	3	2	2	2	1	—	—	—	—

** mechanical enclosure machining required

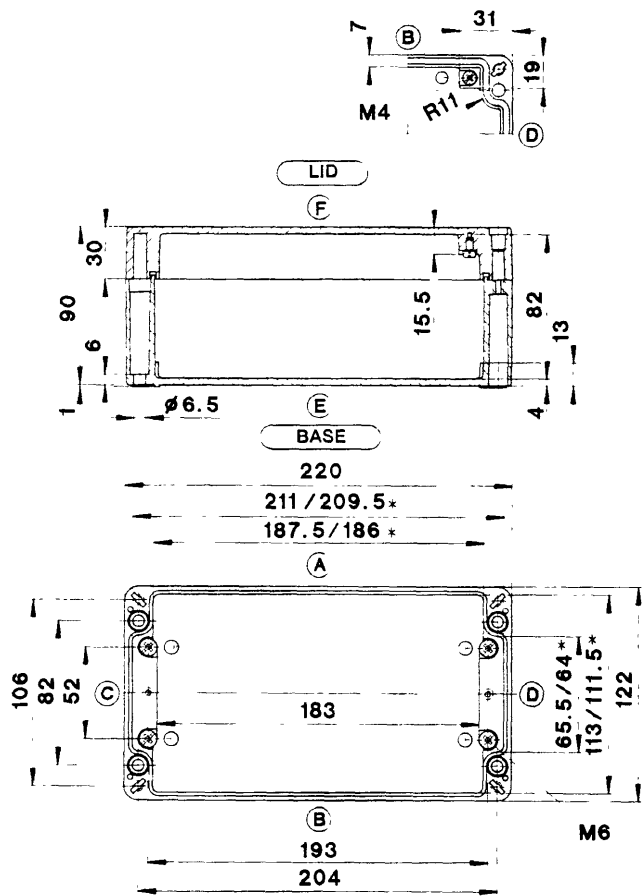
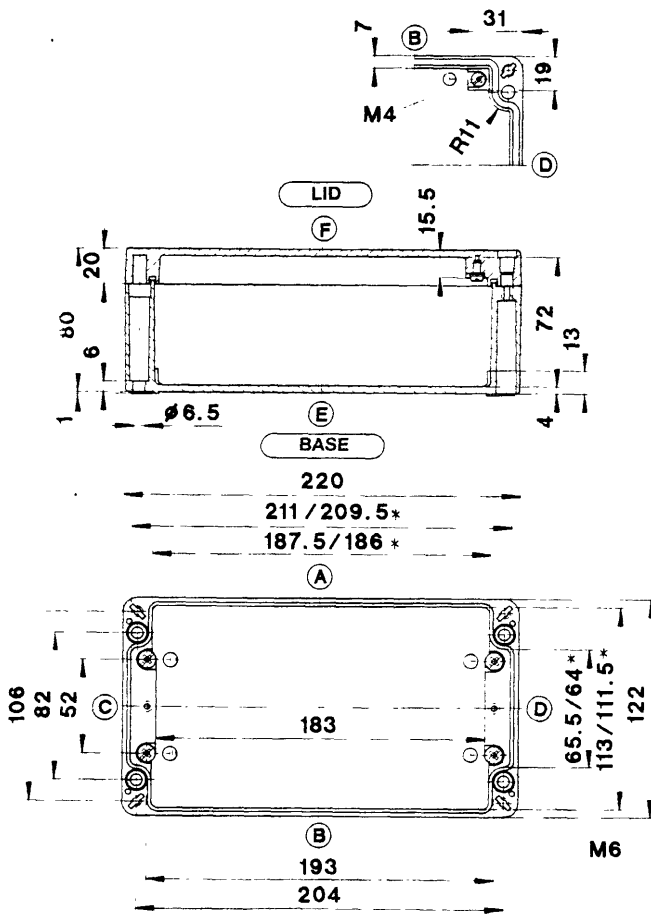
● = kept in stock

220 x 122 x 80 mm

CA-230 Aluminium enclosure

220 x 122 x 90 mm

CA-235 Aluminium enclosure



* minimum dimensions at level of mounting plate support

* minimum dimensions at level of mounting plate support

type	CA-230
weight (g)	1410
external dimensions (mm)	220 x 122 x 80
complete enclosures	Part No.
coated, with gasket and lid screws	123.0.0000.00 ●
coated, with gasket and quick release screws	123.0.0090.00 ●
coated, with gasket and hex socket head screws	123.0.0010.00
coated, with silicone gasket and lid screws	123.0.0160.00
coated, with HF gasket and lid screws	123.0.0080.00
saltwater-proof coating, with gasket and lid screws	123.0.0100.00
saltwater-proof coating, passivated, lid screws with gasket	123.0.0060.00
unwashed, unpainted, no accessories	123.0.0150.00
accessories (separate or as a mounting set)	
mounting plate	951.1.0950.00 ●
TS 32 mounting rail	982.1.0050.00 ●
TS 35 mounting rail	982.2.0070.00 ●
mounting rail	981.0.0080.00 ●
external attachment brackets	982.4.0240.00 ●
external hinges **	980.1.0470.00 ●
internal hinges, flexible, for quick-release enclosures	980.1.0750.00 ●
internal hinges with lid guiding **	980.1.0310.00 ●
silicone gasket for wider temperature range (piece goods)	923.1.0060.00 ●

type	CA-235
weight (g)	1410
external dimensions (mm)	220 x 122 x 90
complete enclosures	Part No.
coated, with gasket and lid screws	123.0.0000.50 ●
coated, with gasket and quick release screws	123.0.0090.50 ●
coated, with gasket and hex socket head screws	123.0.0001.50
coated, with silicone gasket and lid screws	123.0.0110.50
coated, with HF gasket and lid screws	123.0.0080.50
saltwater-proof coating, with gasket and lid screws	123.0.0100.50
saltwater-proof coating, passivated, lid screws with gasket	123.0.0060.50
unwashed, unpainted, no accessories	123.0.0120.50
accessories (separate or as a mounting set)	
mounting plate	951.1.0950.00 ●
TS mounting rail 32	982.1.0050.00 ●
TS mounting rail 35	982.2.0070.00 ●
grounding rail	981.0.0080.00 ●
external attachment brackets	982.4.0240.00 ●
external hinges **	980.1.0470.00 ●
internal hinges, flexible, for quick-release enclosures	—
internal hinges with lid guiding **	980.1.0310.00 ●
silicone gasket for wider temperature range (piece goods)	923.1.0060.00 ●

max. PG threads										
PG	7	9	11	13.5	16	21	29	36	42	48
side A / B	27	18	13	12	10	6	4	3	—	—
side C / D	5	3	3	2	2	1	—	—	—	—

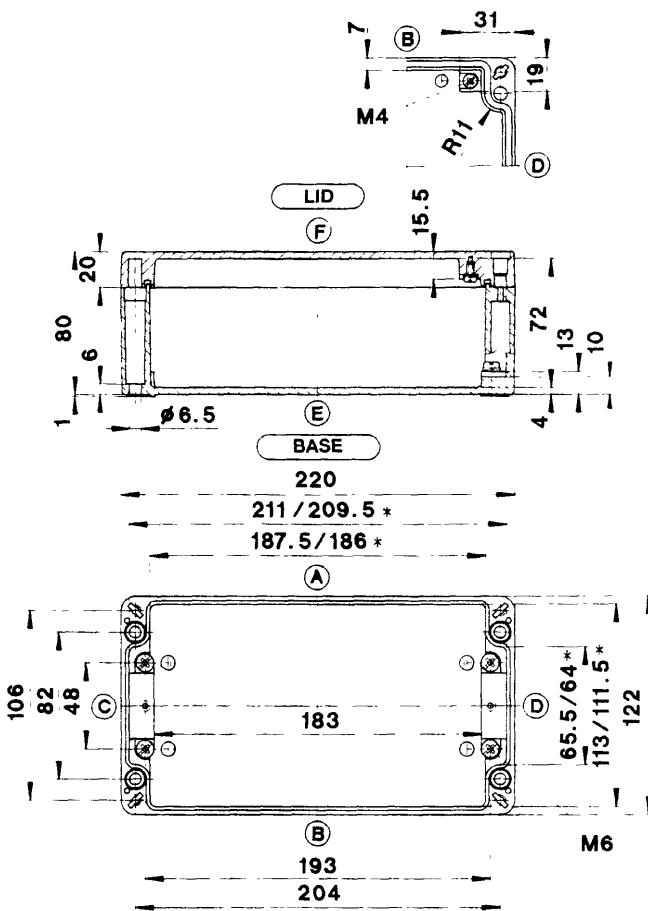
max. PG threads										
PG	7	9	11	13.5	16	21	29	36	42	48
side A / B	27	18	13	12	10	6	4	3	—	—
side C / D	5	3	3	2	2	1	—	—	—	—

mechanical enclosure machining required ● = kept in stock

mechanical enclosure machining required ● = kept in stock

220 x 122 x 80 mm

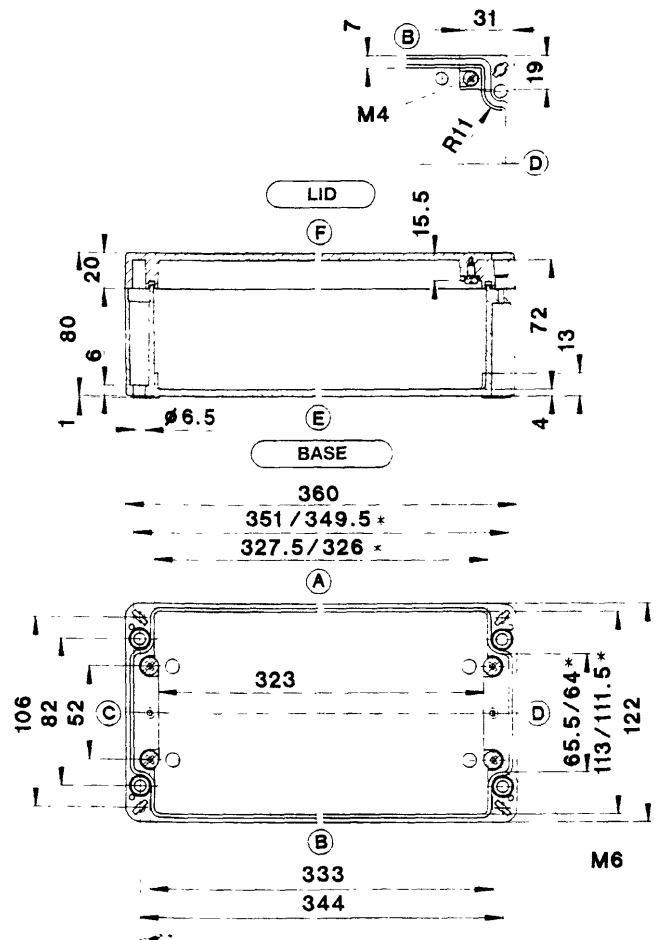
CA-240 Aluminium enclosure



* minimum dimensions at level of mounting plate support

360 x 122 x 80 mm

CA-250 Aluminium enclosure



* minimum dimensions at level of mounting plate support

type	CA-240
weight	(g) 1410
external dimensions	(mm) 220 x 122 x 80
complete enclosures	Part No.
coated, with gasket and lid screws	124.0.0000.00 ●
coated, with gasket and quick release screws	124.0.0090.00 ●
coated, with gasket and hex socket head screws	124.0.0010.00 ●
coated, with silicone gasket and lid screws	124.0.0970.00 ●
coated, with HF gasket and lid screws	124.0.0080.00 ●
saltwater-proof coating, with gasket and lid screws	124.0.0100.00 ●
saltwater-proof coating, passivated, lid screws with gasket	124.0.0060.00 ●
unwashed, unpainted, no accessories	124.0.0820.00 ●
accessories (separate or as a mounting set)	
mounting plate	951.1.0090.00 ●
TS 32 mounting rail	982.1.0050.00 ●
TS 35 mounting rail	982.2.0070.00 ●
grounding rail	981.0.0080.00 ●
external attachment brackets	982.4.0240.00 ●
external hinges **	980.1.0470.00 ●
internal hinges, flexible, for quick-release enclosures	980.1.0750.00 ●
internal hinges with lid guiding **	980.1.0310.00 ●
silicone gasket for wider temperature range (piece goods)	923.1.0060.00 ●
max. PG threads	
PG	7 9 11 13 5 16 21 29 36 42 48
side A / B	27 18 13 12 10 6 4 3 — —
side C / D	5 3 2 2 2 1 — — — —

** mechanical enclosure machining required

● = kept in stock

type	CA-250
weight	(g) 1860
external dimensions	(mm) 360 x 122 x 80
complete enclosures	Part No.
coated, with gasket and lid screws	125.0.0000.00 ●
coated, with gasket and quick release screws	125.0.0090.00 ●
coated, with gasket and hex socket head screws	125.0.0010.00 ●
coated, with silicone gasket and lid screws	125.0.1240.00 ●
coated, with HF gasket and lid screws	125.0.0080.00 ●
saltwater-proof coating, with gasket and lid screws	125.0.0100.00 ●
saltwater-proof coating, passivated, lid screws with gasket	125.0.0060.00 ●
unwashed, unpainted, no accessories	125.0.0110.00 ●
accessories (separate or as a mounting set)	
mounting plate	951.1.1740.00 ●
TS 32 mounting rail	982.1.0120.00 ●
TS 35 mounting rail	982.2.0150.00 ●
grounding rail	981.0.0140.00 ●
external attachment brackets	982.4.0240.00 ●
external hinges **	980.1.0470.00 ●
internal hinges, flexible, for quick-release enclosures	980.1.0750.00 ●
internal hinges with lid guiding **	980.1.0310.00 ●
silicone gasket for wider temperature range (piece goods)	923.1.0060.00 ●
max. PG threads	
PG	7 9 11 13 5 16 21 29 36 42 48
side A / B	40 30 24 22 18 18 7 5 — —
side C / D	5 3 2 2 2 1 — — — —

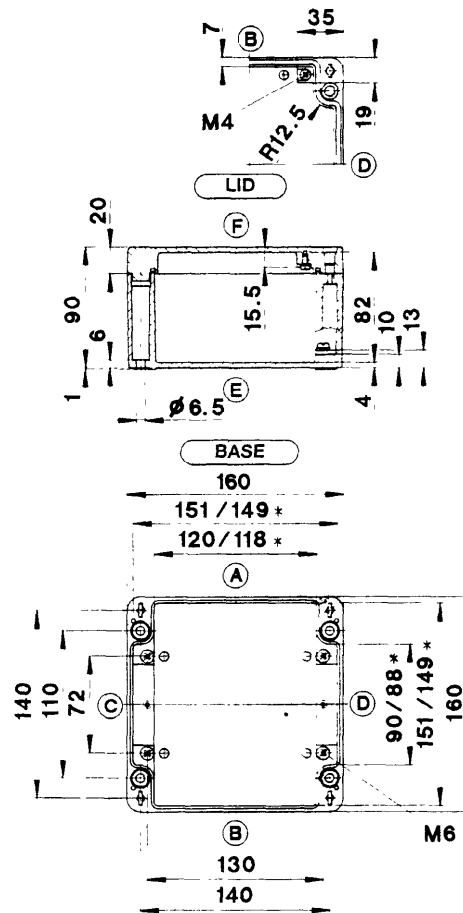
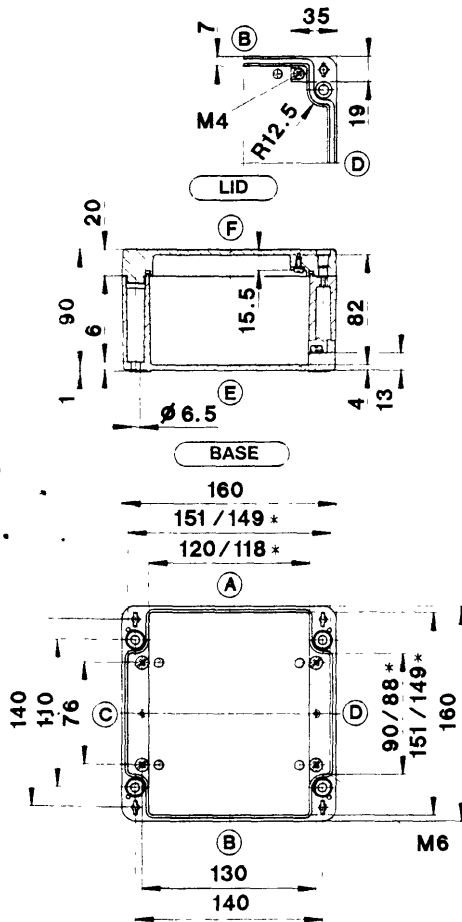
** mechanical enclosure machining required

● = kept in stock



160 x 160 x 90 mm CA-270 Aluminium enclosure

160 x 160 x 90 mm CA-280 Aluminium enclosure



* minimum dimensions at level of mounting plate support

* minimum dimensions at level of mounting plate support

type	CA-270	Part No.
weight	(g) 1410	127.0.0000.00 ●
external dimensions	(mm) 160 x 160 x 90	127.0.0090.00 ●
complete enclosures		127.0.0010.00 ●
coated, with gasket and lid screws		127.0.0120.00 ●
coated, with gasket and quick release screws		127.0.0080.00 ●
coated, with gasket and hex socket head screws		127.0.0100.00 ●
coated, with silicone gasket and lid screws		127.0.0060.00 ●
coated, with HF gasket and lid screws		127.0.0130.00 ●
saltwater-proof coating, with gasket and lid screws		
saltwater-proof coating, passivated lid screws with gasket		
unwashed, unpainted, no accessories		
accessories (separate or as a mounting set)		
mounting plate	951.1.1490.00 ●	
TS 32 mounting rail	982.1.0020.00 ●	
TS 35 mounting rail	982.2.0030.00 ●	
mounting rail	981.0.0040.00 ●	
external attachment brackets	982.4.0240.00 ●	
external hinges **	980.1.0470.00 ●	
internal hinges, flexible, for quick-release enclosures	980.1.0750.00 ●	
internal hinges with lid guiding **	980.1.0300.00 ●	
silicone gasket for wider temperature range (piece goods)	923.1.0060.00 ●	
max. PG threads		
PG	7 9 11 13.5 16 21 29 36 42 48	
side A / B	21 15 10 8 7 8 3 2 1 —	
side C / D	8 8 5 4 3 2 2 2 — —	

** mechanical enclosure machining required

● = kept in stock

type	CA-280	Part No.
weight	(g) 1410	128.0.0000.00 ●
external dimensions	(mm) 160 x 160 x 90	128.0.0090.00 ●
complete enclosures		128.0.0010.00 ●
coated, with gasket and lid screws		128.0.0590.00 ●
coated, with gasket and quick release screws		128.0.0080.00 ●
coated, with gasket and hex socket head screws		128.0.0100.00 ●
coated, with silicone gasket and lid screws		128.0.0060.00 ●
coated, with HF gasket and lid screws		128.0.0330.00 ●
saltwater-proof coating, with gasket and lid screws		
saltwater-proof coating, passivated lid screws with gasket		
unwashed, unpainted, no accessories		
accessories (separate or as a mounting set)		
mounting plate	951.1.0110.00 ●	
TS 32 mounting rail	982.1.0020.00 ●	
TS 35 mounting rail	982.2.0030.00 ●	
mounting rail	981.0.0040.00 ●	
external attachment brackets	982.4.0240.00 ●	
external hinges **	980.1.0470.00 ●	
internal hinges, flexible, for quick-release enclosures	980.1.0750.00 ●	
internal hinges with lid guiding **	980.1.0300.00 ●	
silicone gasket for wider temperature range (piece goods)	923.1.0060.00 ●	
max. PG threads		
PG	7 9 11 13.5 16 21 29 36 42 48	
side A / B	21 15 10 8 7 6 3 2 1 —	
side C / D	8 8 5 4 3 2 2 2 — —	

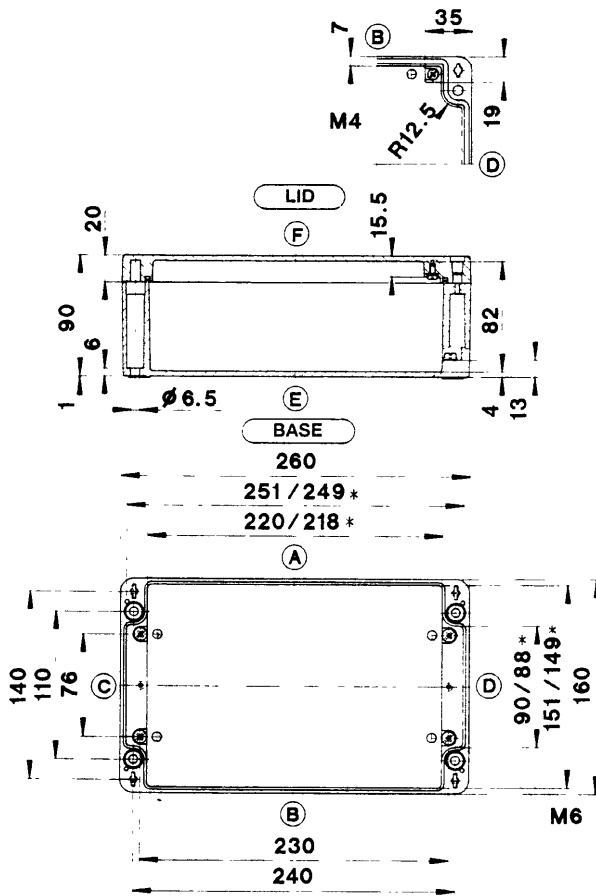
** mechanical enclosure machining required

● = kept in stock



260 x 160 x 90 mm

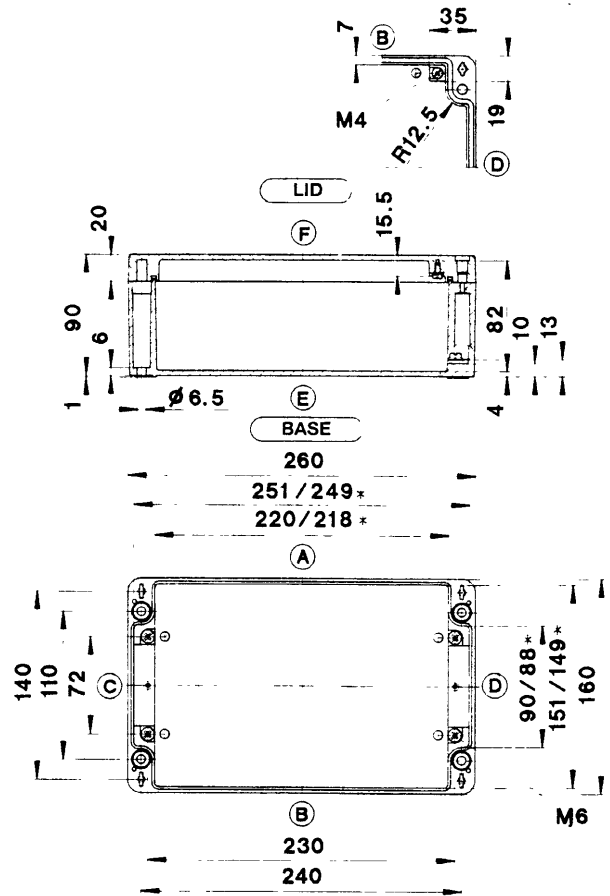
CA-290 Aluminium enclosure



* minimum dimensions at level of mounting plate support

260 x 160 x 90 mm

CA-300 Aluminium enclosure



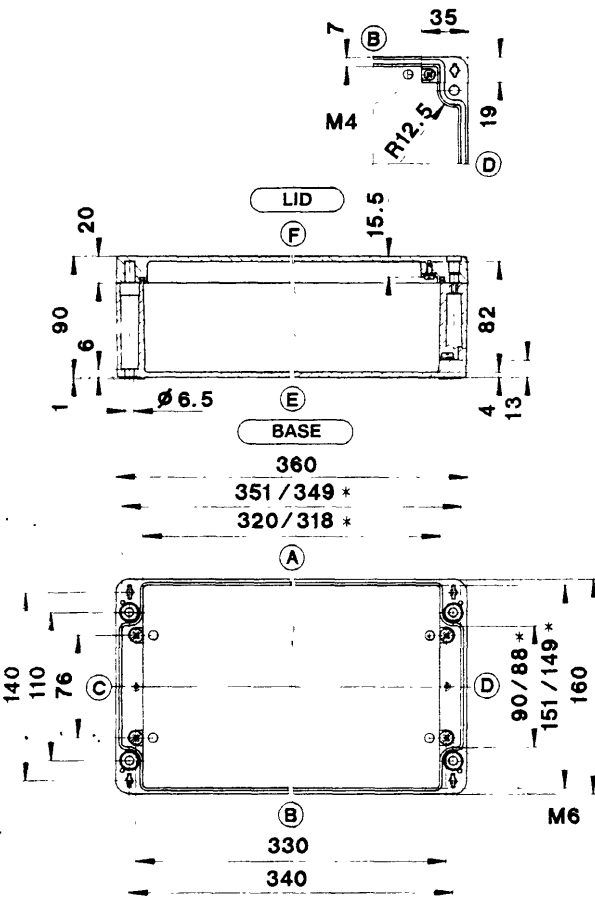
* minimum dimensions at level of mounting plate support

type	CA-290									
weight	(g) 1960									
external dimensions	(mm) 260 x 160 x 90									
complete enclosures	Part No.									
coated, with gasket and lid screws	129.0.0000.00 ●									
coated, with gasket and quick release screws	129.0.0090.00 ●									
coated, with gasket and hex socket head screws	129.0.0010.00 ●									
coated, with silicone gasket and lid screws	129.0.0470.00 ●									
coated, with HF gasket and lid screws	129.0.0080.00 ●									
saltwater-proof coating, with gasket and lid screws	129.0.0100.00 ●									
saltwater-proof coating, passivated, lid screws with gasket	129.0.0060.00 ●									
unwashed, unpainted, no accessories	129.0.0110.00 ●									
accessories (separate or as a mounting set)										
mounting plate	951.1.0960.00 ●									
TS 32 mounting rail	982.1.0080.00 ●									
TS 35 mounting rail	982.2.0110.00 ●									
grounding rail	981.0.0100.00 ●									
external attachment brackets	982.4.0240.00 ●									
external hinges **	980.1.0470.00 ●									
internal hinges, flexible, for quick-release enclosures	980.1.0750.00 ●									
internal hinges with lid guiding **	980.1.0300.00 ●									
silicone gasket for wider temperature range (piece goods)	923.1.0060.00 ●									
max. PG threads										
PG	7	9	11	13.5	16	21	29	36	42	48
side A / B	40	26	18	16	14	10	4	3	2	—
side C / D	8	8	5	4	3	2	2	—	—	—
** mechanical enclosure machining required ● = kept in stock										

type	CA-300									
weight	(g) 1960									
external dimensions	(mm) 260 x 160 x 90									
complete enclosures	Part No.									
coated, with gasket and lid screws	130.0.0000.00 ●									
coated, with gasket and quick release screws	130.0.0090.00 ●									
coated, with gasket and hex socket head screws	130.0.0010.00 ●									
coated, with silicone gasket and lid screws	130.0.0640.00 ●									
coated, with HF gasket and lid screws	130.0.0080.00 ●									
saltwater-proof coating, with gasket and lid screws	130.0.0100.00 ●									
saltwater-proof coating, passivated, lid screws with gasket	130.0.0060.00 ●									
unwashed, unpainted, no accessories	130.0.0410.00 ●									
accessories (separate or as a mounting set)										
mounting plate	951.1.0120.00 ●									
TS 32 mounting rail	982.1.0080.00 ●									
TS 35 mounting rail	982.2.0110.00 ●									
grounding rail	981.0.0100.00 ●									
external attachment brackets	982.4.0240.00 ●									
external hinges **	980.1.0470.00 ●									
internal hinges, flexible, for quick-release enclosures	980.1.0750.00 ●									
internal hinges with lid guiding **	980.1.0300.00 ●									
silicone gasket for wider temperature range (piece goods)	923.1.0060.00 ●									
max. PG threads										
PG	7	9	11	13.5	16	21	29	36	42	48
side A / B	40	26	18	16	14	10	4	3	2	—
side C / D	8	8	5	4	3	2	2	—	—	—
** mechanical enclosure machining required ● = kept in stock										

360 x 160 x 90 mm

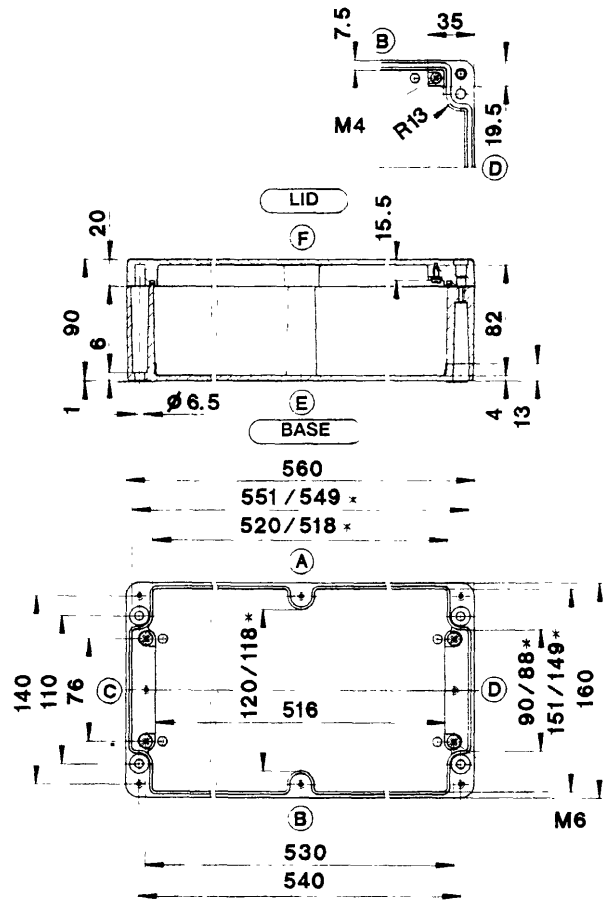
CA-310 Aluminium enclosure



* minimum dimensions at level of mounting plate support

560 x 160 x 90 mm

CA-330 Aluminium enclosure



* minimum dimensions at level of mounting plate support

type	CA-310
weight	(g) 2550
external dimensions	(mm) 360 x 160 x 90
complete enclosures	Part No.
coated, with gasket and lid screws	131.0.0000.00 ●
coated, with gasket and quick release screws	131.0.0090.00 ●
coated, with gasket and hex socket head screws	131.0.0010.00
coated, with silicone gasket and lid screws	131.0.1580.00
coated, with HF gasket and lid screws	131.0.0080.00
saltwater-proof coating, with gasket and lid screws	131.0.0100.00
saltwater-proof coating, passivated, lid screws with gasket	131.0.0060.00
unwashed, unpainted, no accessories	131.0.0710.00
accessories (separate or as a mounting set)	
mounting plate	951.1.1750.00 ●
TS 32 mounting rail	982.1.0120.00 ●
TS 35 mounting rail	982.2.0150.00 ●
grounding rail	981.0.0420.00 ●
external attachment brackets	982.4.0240.00 ●
external hinges **	980.1.0470.00 ●
internal hinges, flexible, for quick-release enclosures	980.1.0750.00 ●
internal hinges with lid guiding **	980.1.0300.00 ●
silicone gasket for wider temperature range (piece goods)	923.1.0060.00 ●
max. PG threads	
PG	7 9 11 13.5 16 21 29 36 42 48
side A / B	80 42 29 24 20 15 8 5 4 —
side C / D	8 8 5 4 3 2 2 — — —

** mechanical enclosure machining required ● = kept in stock

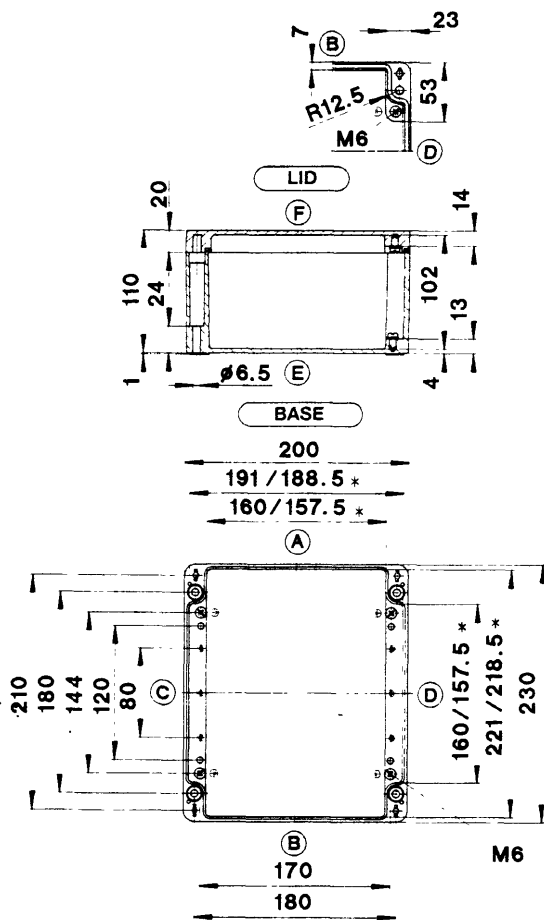
type	CA-330
weight	(g) 4310
external dimensions	(mm) 560 x 160 x 90
complete enclosures	Part No.
coated, with gasket and lid screws	133.0.0000.00 ●
coated, with gasket and quick release screws	—
coated, with gasket and hex socket head screws	133.0.0010.00
coated, with silicone gasket and lid screws	133.0.0560.00
coated, with HF gasket and lid screws	133.0.0080.00
saltwater-proof coating, with gasket and lid screws	133.0.0100.00
saltwater-proof coating, passivated, lid screws with gasket	133.0.0060.00
unwashed, unpainted, no accessories	133.0.0220.00
accessories (separate or as a mounting set)	
mounting plate	951.1.0140.00 ●
TS 32 mounting rail	982.1.0150.00 ●
TS 35 mounting rail	982.2.0180.00 ●
grounding rail	981.0.0160.00 ●
external attachment brackets	982.4.0240.00 ●
external hinges **	980.1.0470.00 ●
internal hinges, flexible, for quick-release enclosures	—
internal hinges with lid guiding **	980.1.0300.00 ●
silicone gasket for wider temperature range (piece goods)	923.1.0090.00 ●
max. PG threads	
PG	7 9 11 13.5 16 21 29 36 42 48
side A / B	90 60 50 40 32 28 12 8 6 —
side C / D	8 8 5 4 3 2 2 — — —

** mechanical enclosure machining required ● = kept in stock



200 x 230 x 110 mm

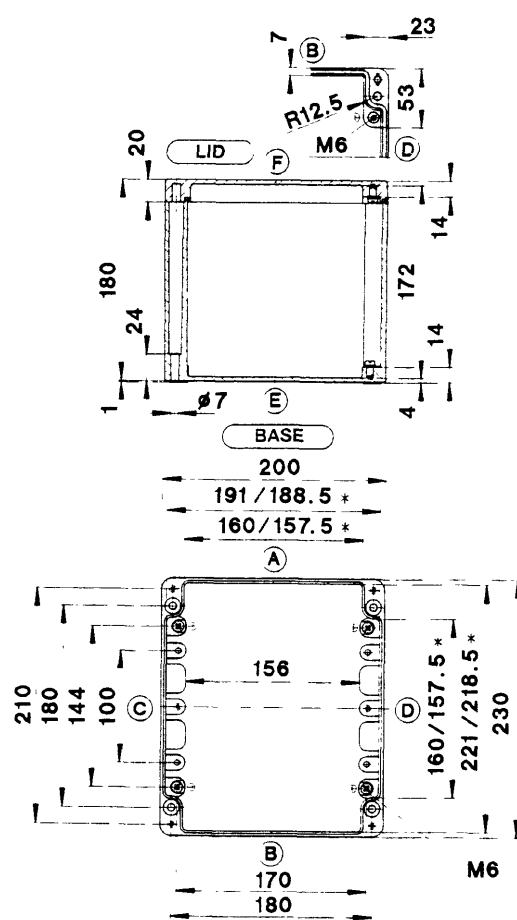
CA-350 Aluminium enclosure



* minimum dimensions at level of mounting plate support

200 x 230 x 180 mm

CA-360 Aluminium enclosure



* minimum dimensions at level of mounting plate support

type	CA-350
weight	(g) 2730
external dimensions	(mm) 200 x 230 x 110
complete enclosures	Part No.
coated, with gasket and lid screws	135.0.0000.00 ●
coated, with gasket and quick release screws	135.0.0090.00 ●
coated, with gasket and hex socket head screws	135.0.0010.00
coated, with silicone gasket and lid screws	135.0.0780.00
coated, with HF gasket and lid screws	135.0.0080.00
saltwater-proof coating, with gasket and lid screws	135.0.0100.00
saltwater-proof coating, passivated, lid screws with gasket	135.0.0060.00
unwashed, unpainted, no accessories	135.0.0170.00
accessories (separate or as a mounting set)	
mounting plate	951.1.0150.00 ●
TS 32 mounting rail	982.1.0030.00 ●
TS 35 mounting rail	982.2.0050.00 ●
grounding rail	981.0.0070.00 ●
external attachment brackets	982.4.0230.00 ●
external hinges **	980.1.0470.00 ●
internal hinges, flexible, for quick-release enclosures	980.1.0750.00 ●
internal hinges with lid guiding **	980.1.0300.00 ●
silicone gasket for wider temperature range (piece goods)	923.1.0060.00 ●

max. PG threads										
PG	7	9	11	13.5	16	21	29	36	42	48
side A / B	40	28	21	18	14	10	6	3	2	—
side C / D	22	18	12	8	6	3	2	2	—	—

** mechanical enclosure machining required ● = kept in stock

type	CA-360
weight	(g) 3680
external dimensions	(mm) 200 x 230 x 180
complete enclosures	Part No.
coated, with gasket and lid screws	136.0.0000.00 ●
coated, with gasket and quick release screws	—
coated, with gasket and hex socket head screws	136.0.0010.00
coated, with silicone gasket and lid screws	136.0.0440.00
coated, with HF gasket and lid screws	136.0.0080.00
saltwater-proof coating, with gasket and lid screws	136.0.0100.00
saltwater-proof coating, passivated, lid screws with gasket	136.0.0060.00
unwashed, unpainted, no accessories	136.0.0430.00
accessories (separate or as a mounting set)	
mounting plate	951.1.0150.00 ●
TS 32 mounting rail	982.1.0030.00 ●
TS 35 mounting rail	982.2.0050.00 ●
grounding rail	981.0.0070.00 ●
external attachment brackets	982.4.0230.00 ●
external hinges **	980.1.0470.00 ●
internal hinges, flexible, for quick-release enclosures	—
internal hinges with lid guiding **	980.1.0300.00 ●
silicone gasket for wider temperature range (piece goods)	923.1.0060.00 ●

max. PG threads										
PG	7	9	11	13.5	16	21	29	36	42	48
side A / B	66	42	36	27	23	14	8	5	2	—
side C / D	60	42	33	25	20	14	8	5	2	—

** mechanical enclosure machining required ● = kept in stock



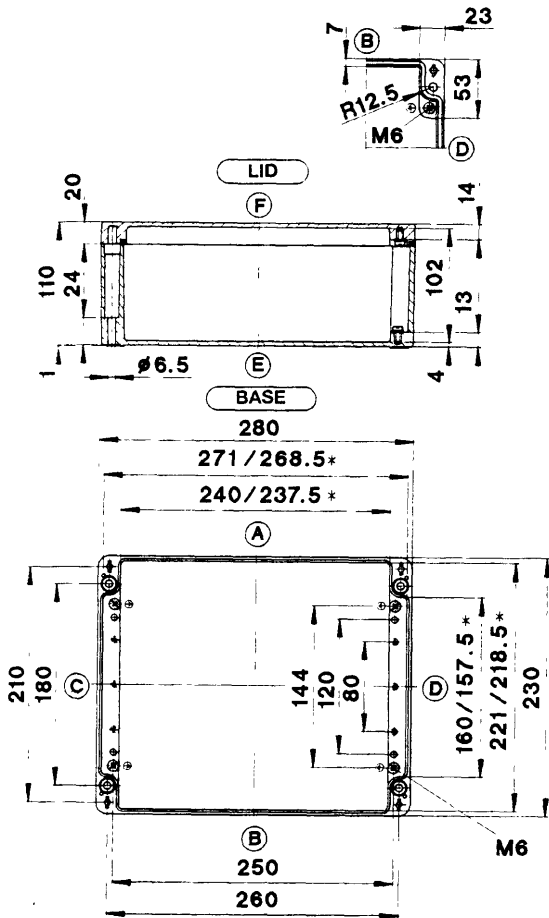
BERNSTEIN

280 x 230 x 110 mm

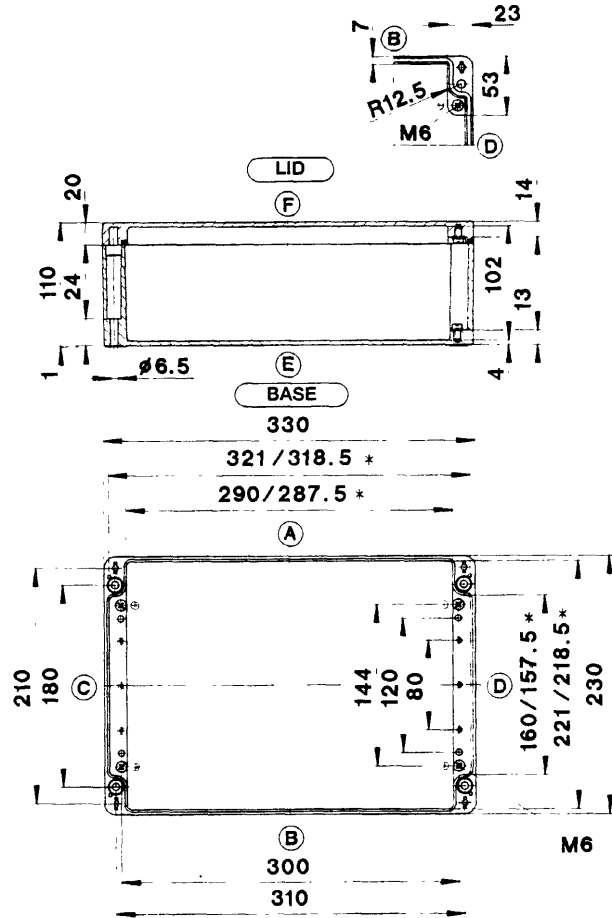
CA-370 Aluminium enclosure

330 x 230 x 110 mm

CA-380 Aluminium enclosure



* minimum dimensions at level of mounting plate support



* minimum dimensions at level of mounting plate support

type	CA-370
weight	(g) 3840
external dimensions	(mm) 280 x 230 x 110
complete enclosures	Part No.
coated, with gasket and lid screws	137.0.0000.00 ●
coated, with gasket and quick release screws	137.0.0090.00 ●
coated, with gasket and hex socket head screws	137.0.0010.00 ●
coated, with silicone gasket and lid screws	137.0.0730.00 ●
coated, with HF gasket and lid screws	137.0.0080.00 ●
saltwater-proof coating, with gasket and lid screws	137.0.0100.00 ●
saltwater-proof coating, passivated, lid screws with gasket	137.0.0060.00 ●
unwashed, unpainted, no accessories	137.0.0150.00 ●
accessories (separate or as a mounting set)	
mounting plate	951.1.0160.00 ●
TS 32 mounting rail	982.1.0090.00 ●
TS 35 mounting rail	982.2.0120.00 ●
grounding rail	981.0.0110.00 ●
external attachment brackets	982.4.0230.00 ●
external hinges **	980.1.0470.00 ●
internal hinges, flexible, for quick-release enclosures	980.1.0750.00 ●
internal hinges with lid guiding **	980.1.0300.00 ●
silicone gasket for wider temperature range (piece goods)	923.1.0060.00 ●

max. PG threads

PG	7	9	11	13.5	16	21	29	36	42	48
side A / B	55	35	25	20	18	12	6	3	3	—
side C / D	22	18	12	8	6	3	2	2	—	—

mechanical enclosure machining required

● = kept in stock

type	CA-380
weight	(g) 4270
external dimensions	(mm) 330 x 230 x 110
complete enclosures	Part No.
coated, with gasket and lid screws	138.0.0000.00 ●
coated, with gasket and quick release screws	138.0.0090.00 ●
coated, with gasket and hex socket head screws	138.0.0010.00 ●
coated, with silicone gasket and lid screws	138.0.0520.00 ●
coated, with HF gasket and lid screws	138.0.0080.00 ●
saltwater-proof coating, with gasket and lid screws	138.0.0100.00 ●
saltwater-proof coating, passivated, lid screws with gasket	138.0.0060.00 ●
unwashed, unpainted, no accessories	138.0.0140.00 ●
accessories (separate or as a mounting set)	
mounting plate	951.1.0170.00 ●
TS 32 mounting rail	982.1.0110.00 ●
TS 35 mounting rail	982.2.0140.00 ●
grounding rail	981.0.0130.00 ●
external attachment brackets	982.4.0230.00 ●
external hinges **	980.1.0470.00 ●
internal hinges, flexible, for quick-release enclosures	980.1.0750.00 ●
internal hinges with lid guiding **	980.1.0300.00 ●
silicone gasket for wider temperature range (piece goods)	923.1.0060.00 ●

max. PG threads

PG	7	9	11	13.5	16	21	29	36	42	48
side A / B	70	45	40	30	24	16	10	4	3	—
side C / D	22	18	12	8	6	3	2	2	—	—

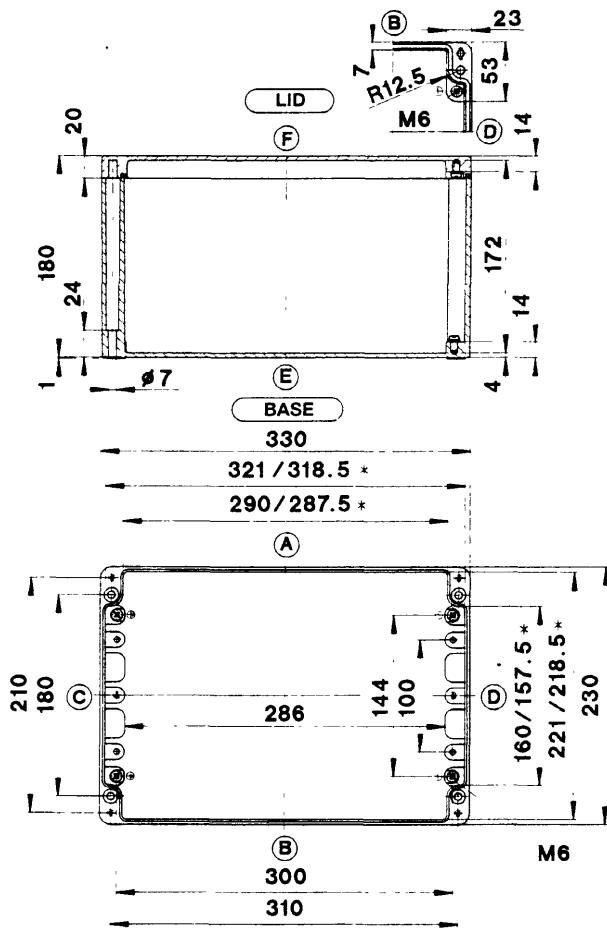
mechanical enclosure machining required

● = kept in stock



330 x 230 x 180 mm

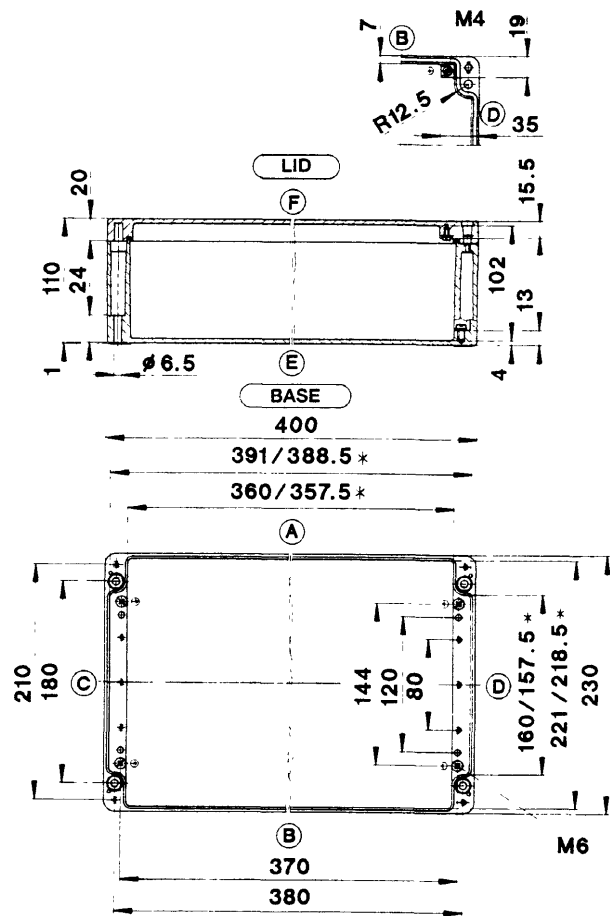
CA-390 Aluminium enclosure



* minimum dimensions at level of mounting plate support

400 x 230 x 110 mm

CA-400 Aluminium enclosure



* minimum dimensions at level of mounting plate support

type	CA-390
weight	(g) 5300
external dimensions	(mm) 330 x 230 x 180

complete enclosures	Part No.
coated, with gasket and lid screws	139.0.0000.00 ●
coated, with gasket and quick release screws	—
coated, with gasket and hex socket head screws	139.0.0010.00
coated, with silicone gasket and lid screws	139.0.0200.00
coated, with HF gasket and lid screws	139.0.0080.00
saltwater-proof coating, with gasket and lid screws	139.0.0100.00
saltwater-proof coating, passivated, lid screws with gasket	139.0.0060.00
unwashed, unpainted, no accessories	139.0.0120.00

accessories (separate or as a mounting set)	
mounting plate	951.1.0170.00 ●
TS 32 mounting rail	982.1.0110.00 ●
TS 35 mounting rail	982.2.0140.00 ●
grounding rail	981.0.0130.00 ●
external attachment brackets	982.4.0230.00 ●
external hinges **	980.1.0470.00 ●
internal hinges, flexible, for quick-release enclosures	—
internal hinges with lid guiding **	980.1.0300.00 ●
silicone gasket for wider temperature range (piece goods)	923.1.0060.00 ●

max. PG threads										
PG	7	9	11	13.5	16	21	29	36	42	48
side A / B	110	80	60	55	40	30	15	10	8	—
side C / D	60	42	33	25	20	14	8	5	2	—

* mechanical enclosure machining required ● = kept in stock

type	CA-400
weight	(g) 4870
external dimensions	(mm) 400 x 230 x 110

complete enclosures	Part No.
coated, with gasket and lid screws	140.0.0000.00 ●
coated, with gasket and quick release screws	—
coated, with gasket and hex.socket head screws	140.0.0010.00
coated, with silicone gasket and lid screws	140.0.0620.00
coated, with HF gasket and lid screws	140.0.0080.00
saltwater-proof coating, with gasket and lid screws	140.0.0100.00
saltwater-proof coating, passivated, lid screws with gasket	140.0.0060.00
unwashed, unpainted, no accessories	140.0.0130.00

accessories (separate or as a mounting set)	
mounting plate	951.1.2940.00 ●
TS 32 mounting rail	982.1.0140.00 ●
TS 35 mounting rail	982.2.0170.00 ●
grounding rail	981.0.0150.00 ●
external attachment brackets	982.4.0230.00 ●
external hinges **	980.1.0470.00 ●
internal hinges, flexible, for quick-release enclosures	—
internal hinges with lid guiding **	980.1.0300.00 ●
silicone gasket for wider temperature range (piece goods)	923.1.0060.00 ●

max. PG threads										
PG	7	9	11	13.5	16	21	29	36	42	48
side A / B	90	80	46	36	30	20	16	5	3	—
side C / D	22	18	12	8	6	3	2	2	—	—

* mechanical enclosure machining required ● = kept in stock



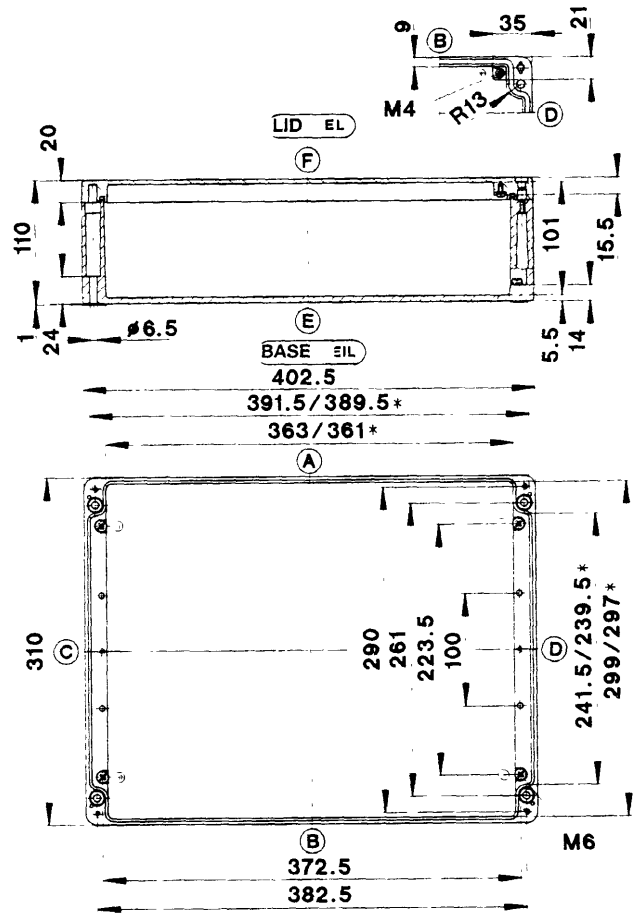
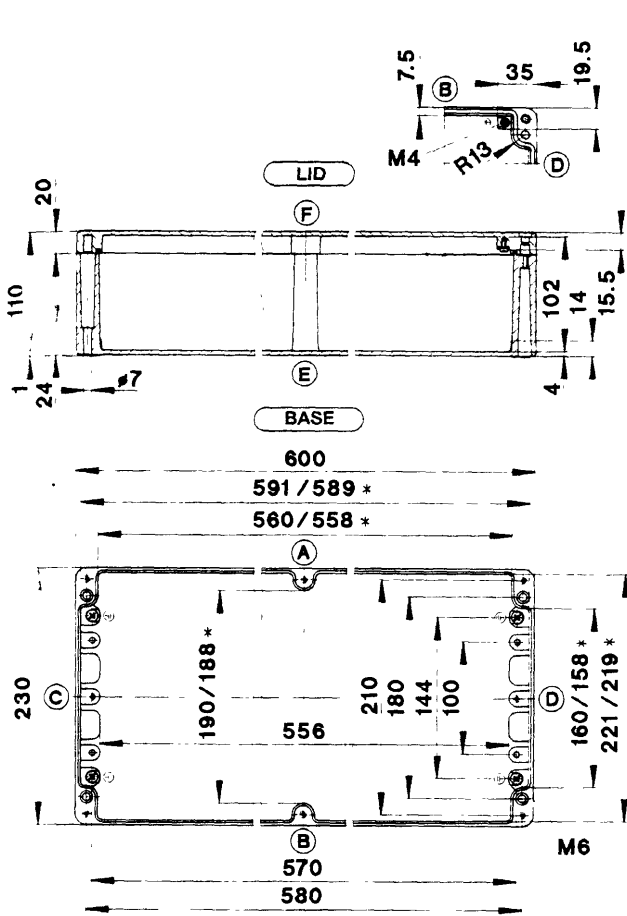
BERNSTEIN

600 x 230 x 110 mm

CA-420 Aluminium enclosure

402,5 x 310 x 110 mm

CA-450 Aluminium enclosure



* minimum dimensions at level of mounting plate support

* minimum dimensions at level of mounting plate support

type	CA-420
weight	(g) 6380
external dimensions	(mm) 600 x 230 x 110
complete enclosures	Part No.
coated, with gasket and lid screws	142.0.0000.00 ●
coated, with gasket and quick release screws	—
coated, with gasket and hex socket head screws	142.0.0010.00
coated, with silicone gasket and lid screws	142.0.0550.00
coated, with HF gasket and lid screws	142.0.0080.00
saltwater-proof coating, with gasket and lid screws	142.0.0100.00
saltwater-proof coating, passivated, lid screws with gasket	142.0.0060.00
unwashed, unpainted, no accessories	142.0.0110.00
accessories (separate or as a mounting set)	
mounting plate	951.1.0190.00 ●
TS 32 mounting rail	982.1.0160.00 ●
TS 35 mounting rail	982.2.0190.00 ●
grounding rail	981.0.0170.00 ●
external attachment brackets	982.4.0230.00 ●
external hinges **	980.1.0470.00 ●
internal hinges, flexible, for quick-release enclosures	—
internal hinges with lid guiding **	980.1.0300.00 ●
silicone gasket for wider temperature range (piece goods)	923.1.0060.00 ●

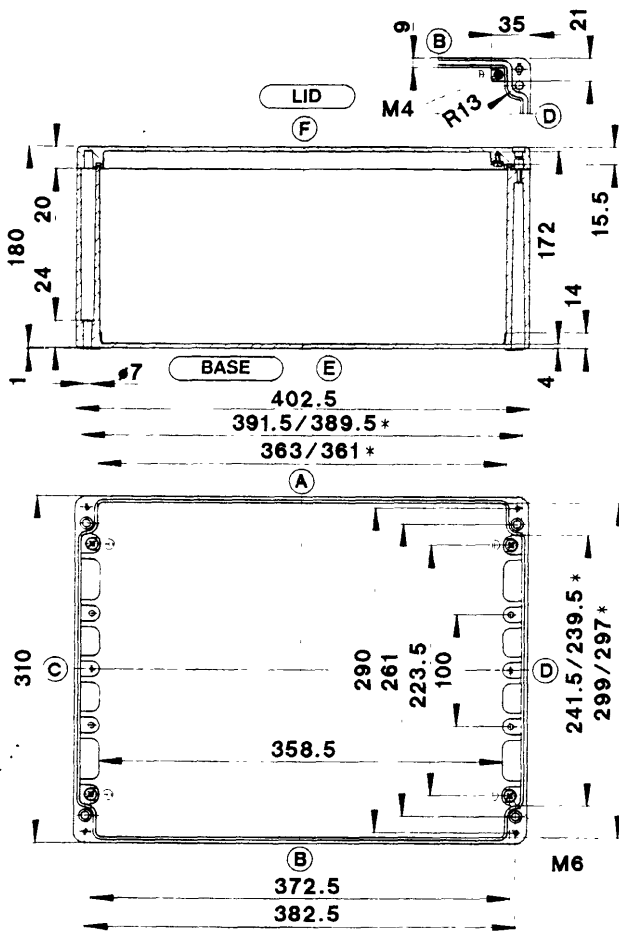
type	CA-450
weight	(g) 5810
external dimensions	(mm) 402,5 x 310 x 110
complete enclosures	Part No.
coated, with gasket and lid screws	145.0.0000.00 ●
coated, with gasket and quick release screws	—
coated, with gasket and hex socket head screws	145.0.0010.00
coated, with silicone gasket and lid screws	145.0.0520.00
coated, with HF gasket and lid screws	145.0.0080.00
saltwater-proof coating, with gasket and lid screws	145.0.0100.00
saltwater-proof coating, passivated, lid screws with gasket	145.0.0060.00
unwashed, unpainted, no accessories	145.0.0250.00
accessories (separate or as a mounting set)	
mounting plate	951.1.0200.00 ●
TS 32 mounting rail	982.1.0140.00 ●
TS 35 mounting rail	982.2.0170.00 ●
grounding rail	981.0.0150.00 ●
external attachment brackets	982.4.0230.00 ●
external hinges **	980.1.0470.00 ●
internal hinges, flexible, for quick-release enclosures	—
internal hinges with lid guiding **	980.1.0300.00 ●
silicone gasket for wider temperature range (piece goods)	923.1.0090.00 ●

max. PG threads										
PG	7	9	11	13.5	16	21	29	36	42	48
side A / B	125	90	64	56	46	26	20	10	6	—
side C / D	22	18	12	8	6	3	2	2	—	—
mechanical enclosure machining required ● = kept in stock										

max. PG threads										
PG	7	9	11	13.5	16	21	29	36	42	48
side A / B	92	60	46	36	30	20	16	6	4	—
side C / D	46	30	24	22	14	12	6	4	2	—
mechanical enclosure machining required ● = kept in stock										

402,5 x 310 x 180 mm

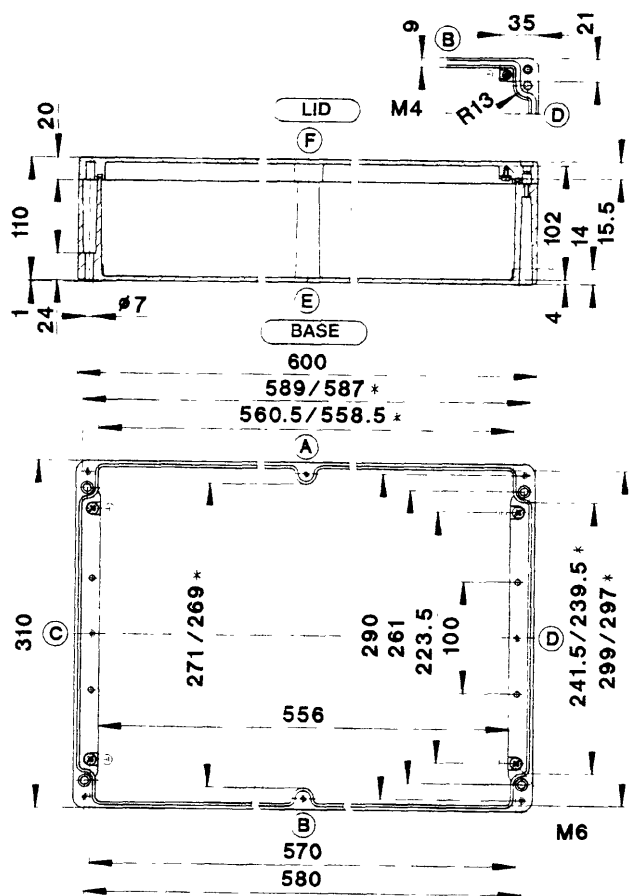
CA-460 Aluminium enclosure



* minimum dimensions at level of mounting plate support

600 x 310 x 110 mm

CA-470 Aluminium enclosure



* minimum dimensions at level of mounting plate support

type	CA-460
weight	(g) 7420
external dimensions	(mm) 402.5 x 310 x 180

complete enclosures	Part No.
coated, with gasket and lid screws	146.0.0000.00 ●
coated, with gasket and quick release screws	—
coated, with gasket and hex socket head screws	146.0.0010.00
coated, with silicone gasket and lid screws	146.0.0130.00
coated, with HF gasket and lid screws	146.0.0080.00
saltwater-proof coating, with gasket and lid screws	146.0.0100.00
saltwater-proof coating, passivated, lid screws with gasket	146.0.0060.00
unwashed, unpainted, no accessories	146.0.0490.00

accessories (separate or as a mounting set)	
mounting plate	951.1.0200.00 ●
TS 32 mounting rail	982.1.0140.00 ●
TS 35 mounting rail	982.2.0170.00 ●
grounding rail	981.0.0150.00 ●
external attachment brackets	982.4.0230.00 ●
external hinges **	980.1.0470.00 ●
internal hinges, flexible, for quick-release enclosures	—
internal hinges with lid guiding **	980.1.0300.00 ●
silicone gasket for wider temperature range (piece goods)	923.1.0090.00 ●

max. PG threads										
PG	7	9	11	13.5	16	21	29	36	42	48
side A / B	165	100	80	70	50	35	20	15	10	—
side C / D	100	70	50	46	33	23	13	6	5	—

** mechanical enclosure machining required ● = kept in stock

type	CA-470
weight	(g) 8480
external dimensions	(mm) 600 x 310 x 110

complete enclosures	Part No.
coated, with gasket and lid screws	147.0.0000.00 ●
coated, with gasket and quick release screws	—
coated, with gasket and hex socket head screws	147.0.0010.00
coated, with silicone gasket and lid screws	147.0.0560.00
coated, with HF gasket and lid screws	147.0.0080.00
saltwater-proof coating, with gasket and lid screws	147.0.0100.00
saltwater-proof coating, passivated, lid screws with gasket	147.0.0060.00
unwashed, unpainted, no accessories	147.0.0620.00

accessories (separate or as a mounting set)	
mounting plate	951.1.0210.00 ●
TS 32 mounting rail	982.1.0160.00 ●
TS 35 mounting rail	982.2.0190.00 ●
grounding rail	981.0.0170.00 ●
external attachment brackets	982.4.0230.00 ●
external hinges **	980.1.0470.00 ●
internal hinges, flexible, for quick-release enclosures	—
internal hinges with lid guiding **	980.1.0300.00 ●
silicone gasket for wider temperature range (piece goods)	923.1.0090.00 ●

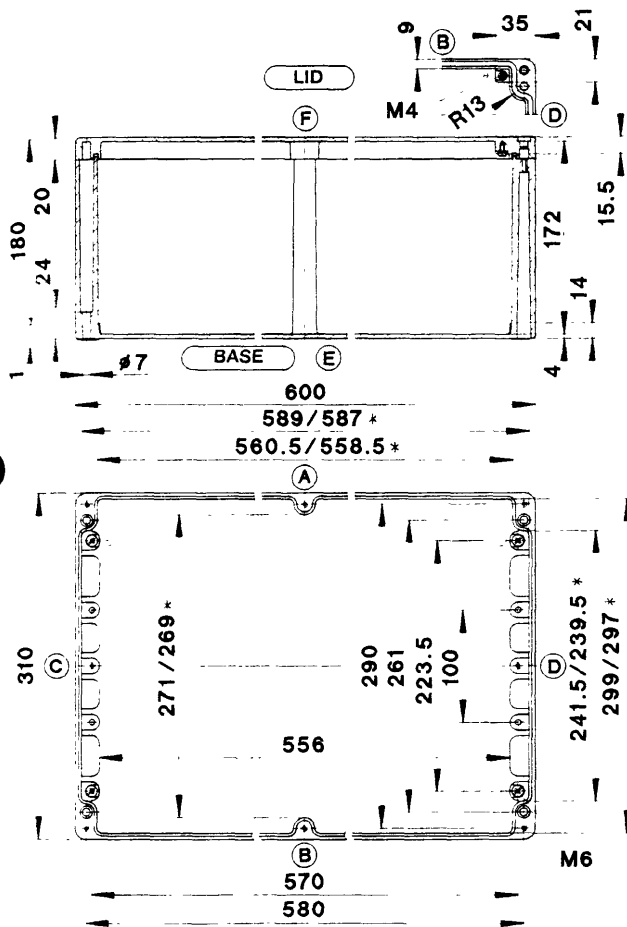
max. PG threads										
PG	7	9	11	13.5	16	21	29	36	42	48
side A / B	140	90	70	52	46	30	20	10	6	—
side C / D	46	30	24	22	14	12	6	4	2	—

** mechanical enclosure machining required ● = kept in stock



600 x 310 x 180 mm

CA-480 Aluminium enclosure



* minimum dimensions at level
at level of mounting plate support

type	CA-480
weight	(g) 10840
external dimensions	(mm) 600 x 310 x 180
complete enclosures	Part No.
coated, with gasket and lid screws	148.0.0000.00 ●
coated, with gasket and quick release screws	—
coated, with gasket and hex.socket head screws	148.0.0010.00
coated, with silicone gasket and lid screws	148.0.0450.00
coated, with HF gasket and lid screws	148.0.0080.00
saltwater-proof coating, with gasket and lid screws	148.0.0100.00
saltwater-proof coating, passivated lid screws with gasket	148.0.0060.00
unwashed, unpainted, no accessories	148.0.0170.00
accessories (separate or as a mounting set)	
mounting plate	951.1.0210.00 ●
TS 32 mounting rail	982.1.0160.00 ●
TS 35 mounting rail	982.2.0190.00 ●
mounting rail	981.0.0170.00 ●
external attachment brackets	982.4.0230.00 ●
external hinges **	980.1.0470.00 ●
internal hinges, flexible, for quick-release enclosures	—
internal hinges with lid guiding **	980.1.0300.00 ●
silicone gasket for wider temperature range (piece goods)	923.1.0090.00 ●

max. PG threads

PG	7	9	11	13.5	16	21	29	36	42	48
TS A	230	160	130	100	70	50	32	20	14	—
TS B	100	70	50	48	23	23	13	6	5	—

mechanical enclosure machining required

● - kept in stock