

THIS DRAWING IS UNPUBLISHED.  
VERTRAULICHE UNVERÖFFENTLICHTE ZEICHNUNG

RELEASED FOR PUBLICATION  
FREI FUER VERÖFFENTLICHUNG  
2000.  
ALL RIGHTS RESERVED.  
ALLE RECHTE VORBEHALTEN

MATED WITH:  
PASSEND ZU:  
HVS-HE.6

LOC  
AI

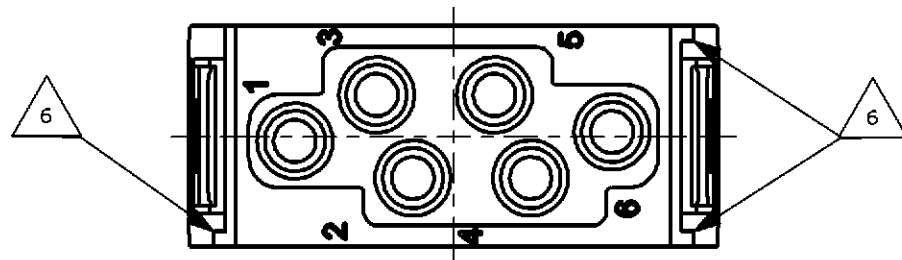
DIST

REVISIONS  
ÄNDERUNGEN

P	LTR	DESCRIPTION	BESCHREIBUNG	DATE	DWN	APVD
	A3	DRAWING REWORK	ECR-06-029805	21.12.2006	SR	SM

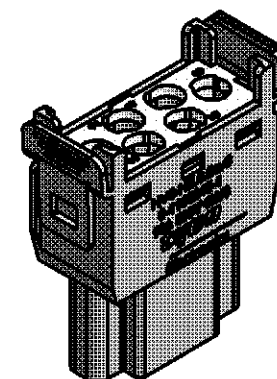
PROJEKT NR.:  
EGGMN04410

Contact arrangement  
view from conection side

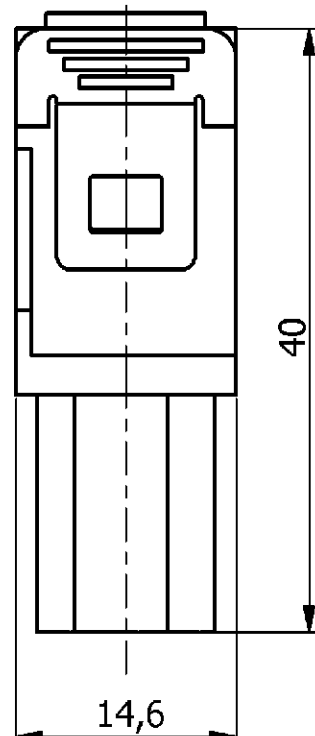
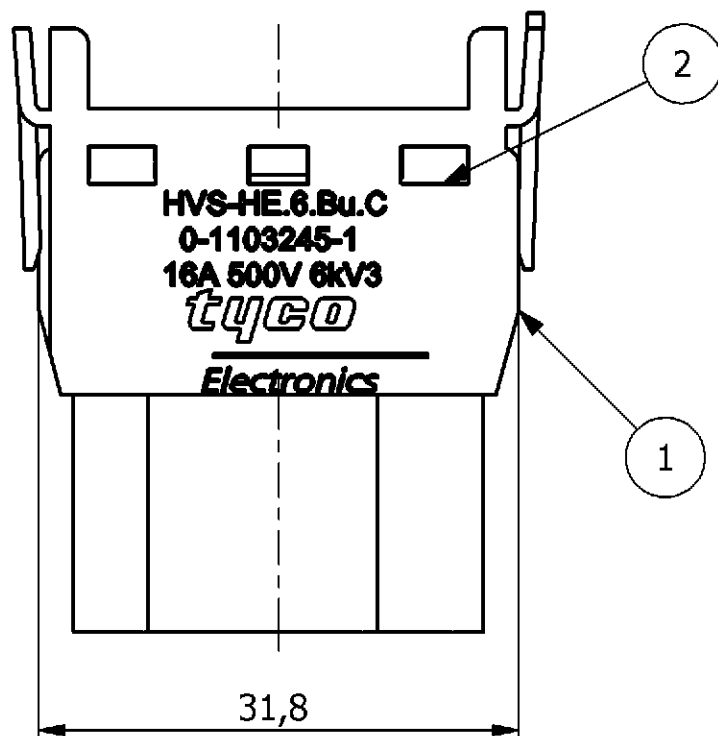


### NOTES

- 1 SUITABLE CRIMP CONTACTS: SERIES HE  
CUSTOMER DRAWING: 1105101  
OUTER DIMENSIONS OF INSULATION: MAX. Ø4,9 MM
- 2 SUITABLE MODULE FIXING FRAME: SERIES HVS SIZE 3 TO 8  
CUSTOMER DRAWING: 1103250
- 3 SUITABLE INSERTION TOOL:  
CUSTOMER DRAWING: 0-1102855-6
- 4 SUITABLE EXTRACTION TOOL:  
CUSTOMER DRAWING: 0-1102855-7
- 5 STANDARDS:  
DIN EN 61984; DIN EN 60664-1
- 6 POLARIZATION RIPS
- 7 MARKING OF POLARIZATION ACCORDING MARKING OF  
MODULE FRAME
- 8 PACKAGING:  
10 SETS IN A CARTON, PRE-MOUNTED



HVS-HE.6.Bu.C  
0-1103245-1  
16A 500V 6KV3  
**tyco**  
Electronics



0-1 as shown  
Ordering text: HVS-HE.6.Bu.C

QTY.	DESCRIPTION	MATERIAL	COLOR	NOTE	ITEM
1	COVER FOR FEMALE INSERT HVS-HE.6	PBT-GF15	LIGHT-GREY		2
1	FEMALE INSERT HVS-HE.6	PBT-GF10	LIGHT-GREY		1

#### PARTS LIST

<small>THIS DRAWING IS A CONTROLLED DOCUMENT FOR AMP INCORPORATED. IT IS SUBJECT TO CHANGE AND THE CONTROLLING ENGINEERING ORGANIZATION SHOULD BE CONTACTED FOR THE LATEST REVISION. DIESES ZEICHNUNGSKLEMENT WIRD DURCH AMP INCORPORATED KONTROLLIERT. ÄNDERUNGEN, DIE DEM TECHNISCHEN FORTSCHRITT DIENEN, SIND VORBEHALTEN. DEN JEWELN LETZTBESTEHENDEN ÄNDERUNGSSTAND ERFAHREN SIE AUF ANFRAGE.</small>		DWN M.SCHWEIGER 24.05.2005	Tyco / Electronics AMP GmbH D - 53819 Neunkirchen	
DIMENSIONS: DIMENSIONEN: mm	TOLERANCES UNLESS OTHERWISE SPECIFIED: ALLGEMEINTOLERANZEN	CHK T.SCHNURPFEIL 22.05.2005	NAME <b>FEMALE INSERT HVS-HE.6.BU.C</b>	
	n. ISO 8015 n. ISO 2768 - mH -E n. DIN 16901 - 140	APVD 20.12.2006	PRODUCT SPEC PRODUKTSPEZ.	RESTRICTED TO NUR FUER
MATERIAL	FINISH / OBERFLÄCHE / FARBE	APPLICATION SPEC VERARBEITUNGSSPEZ.	SIZE A3	CAGE CODE 00779
	0 PLC # 1 PLC # 2 PLC # 3 PLC # 4 PLC # 5 PLC # ANGLES/WINKEL #	WEIGHT GEWICHT 0,009 KG	DRAWING NO ZEICHNUNGS-NR. 1103245	SCALE MASSSTAB 2:1
CUSTOMER DRAWING / KUNDENZEICHNUNG			SHEET BLATT 1	OF VON 1
			REV A3	

Contact arrangement  
view from termination side

