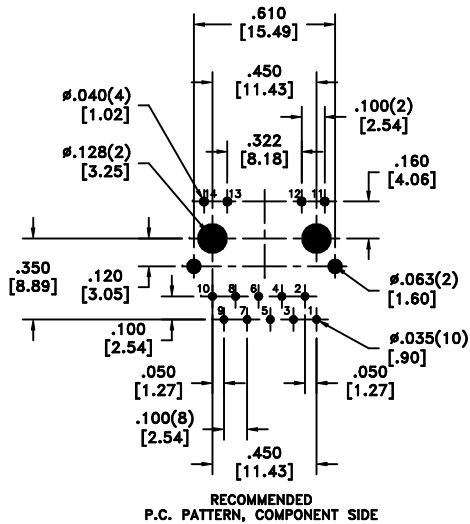
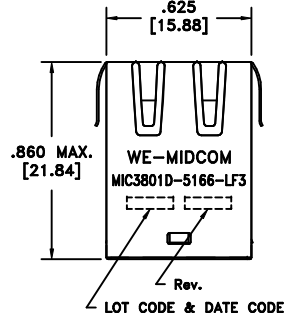
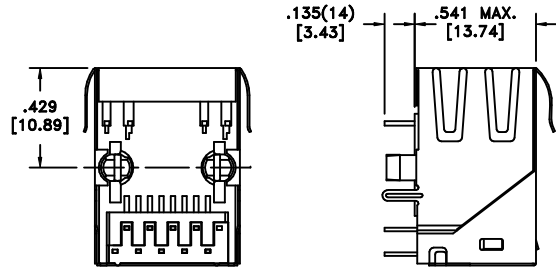
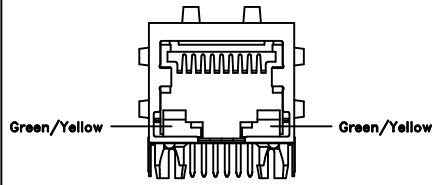
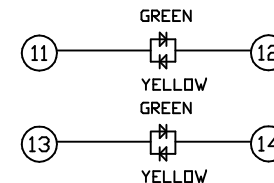
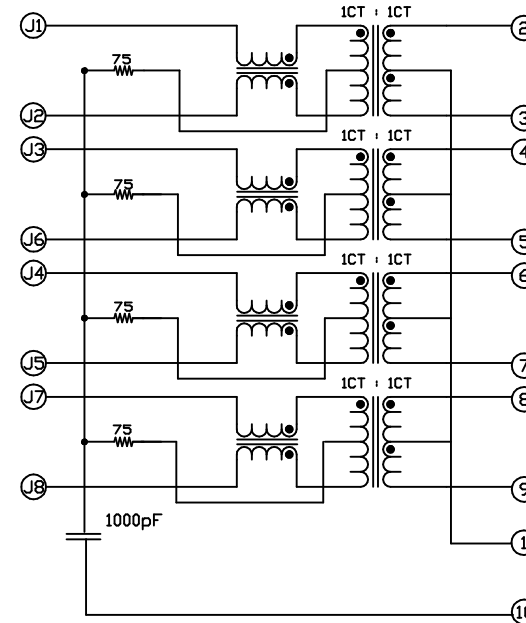


SOLDER SUFFIX	CUSTOMER TERMINAL	RoHS	LEAD(Pb)-FREE
LF3	Sn100%	Yes	Yes



ELECTRICAL SPECIFICATIONS @ 25°C unless otherwise noted:

- INDUCTANCE: 350uH min., 100kHz, 100mV, 8mADC, J1-J2; J3-J6, J4-J5, J7-J8 Lp.
- DIELECTRIC RATING: 2250VDC for 1 minute between primary and secondary
- TURNS RATIO/POLARITY: Per schematic
- INSERTION LOSS: -1.0dB max., 1MHz - 100MHz.
- RETURN LOSS: -18dB min., 1M - 40MHz.
-14dB min., 40M - 60MHz.
-12dB min., 60M - 80MHz.
-10dB min., 80M - 100MHz.
- CROSSTALK: -30dB min., 1MHz - 100MHz.
- COMMON MODE REJECTION: -35dB min., 1MHz - 100MHz.
- OPERATING TEMPERATURE RANGE: 0°C to +70°C.



REV.	DATE
01	9/07
00	4/06

Packaging Specifications
Method:
www.midcom-inc.com

Unless otherwise specified:
Tolerances: Fractions: ±1/64
Angles: ±1° Decimals: ±.010[.25]

This drawing is dual dimensioned. Dimensions in brackets are in millimeters.

DRAWING TITLE
**TRANSFORMER
Gigabit**
eiSos p/n: 7499111441

Midcom WE
www.midcom-inc.com

REVISIONS: SEE SHEET 1

DRAWING NO.
MIC3801D-5166T-LF3

SCALE ---

SHEET 2 OF 7