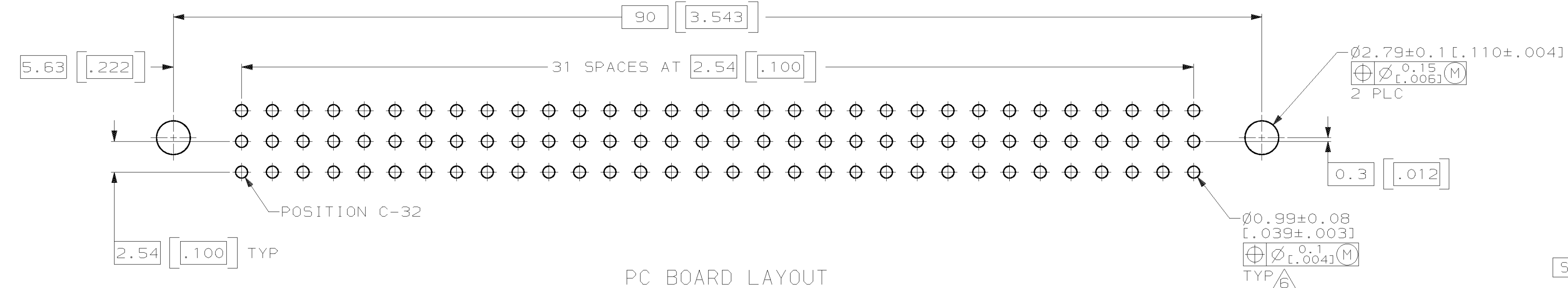
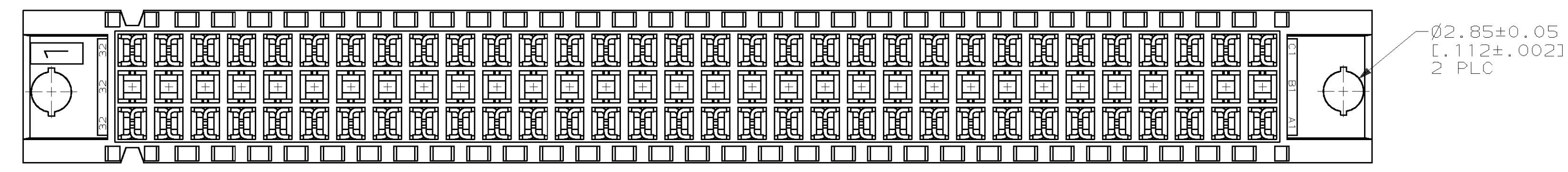
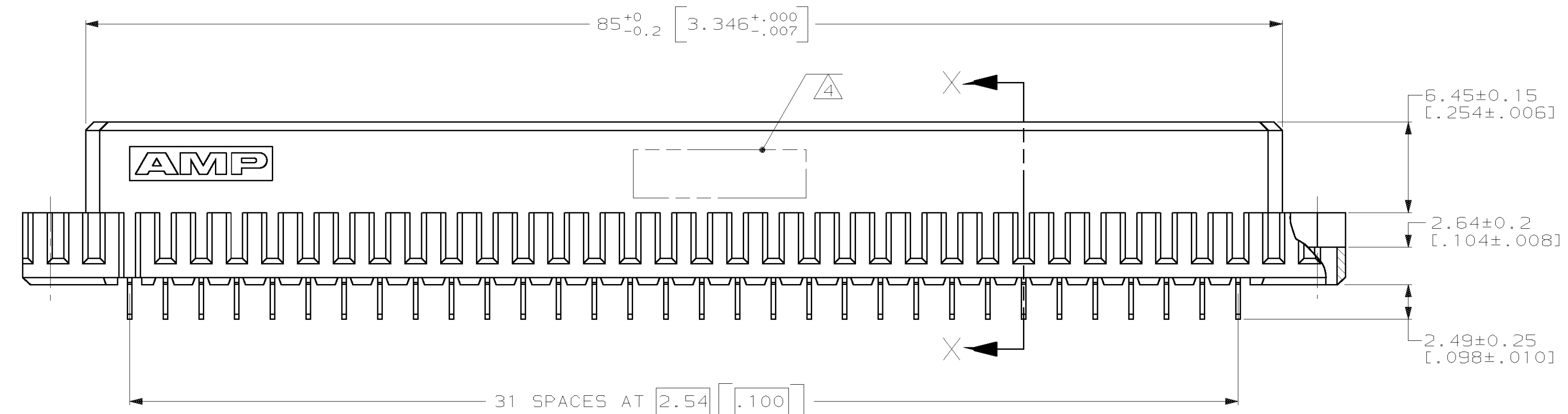
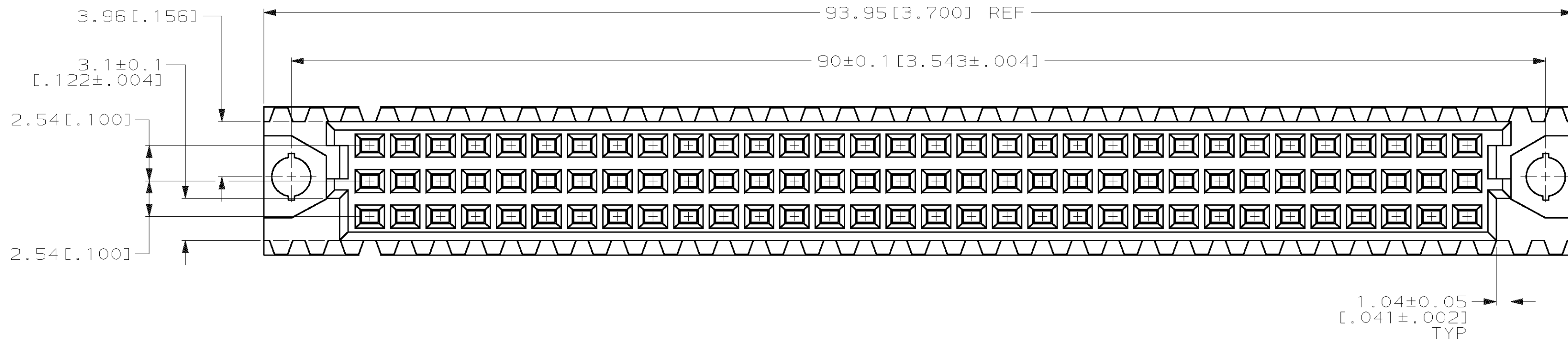
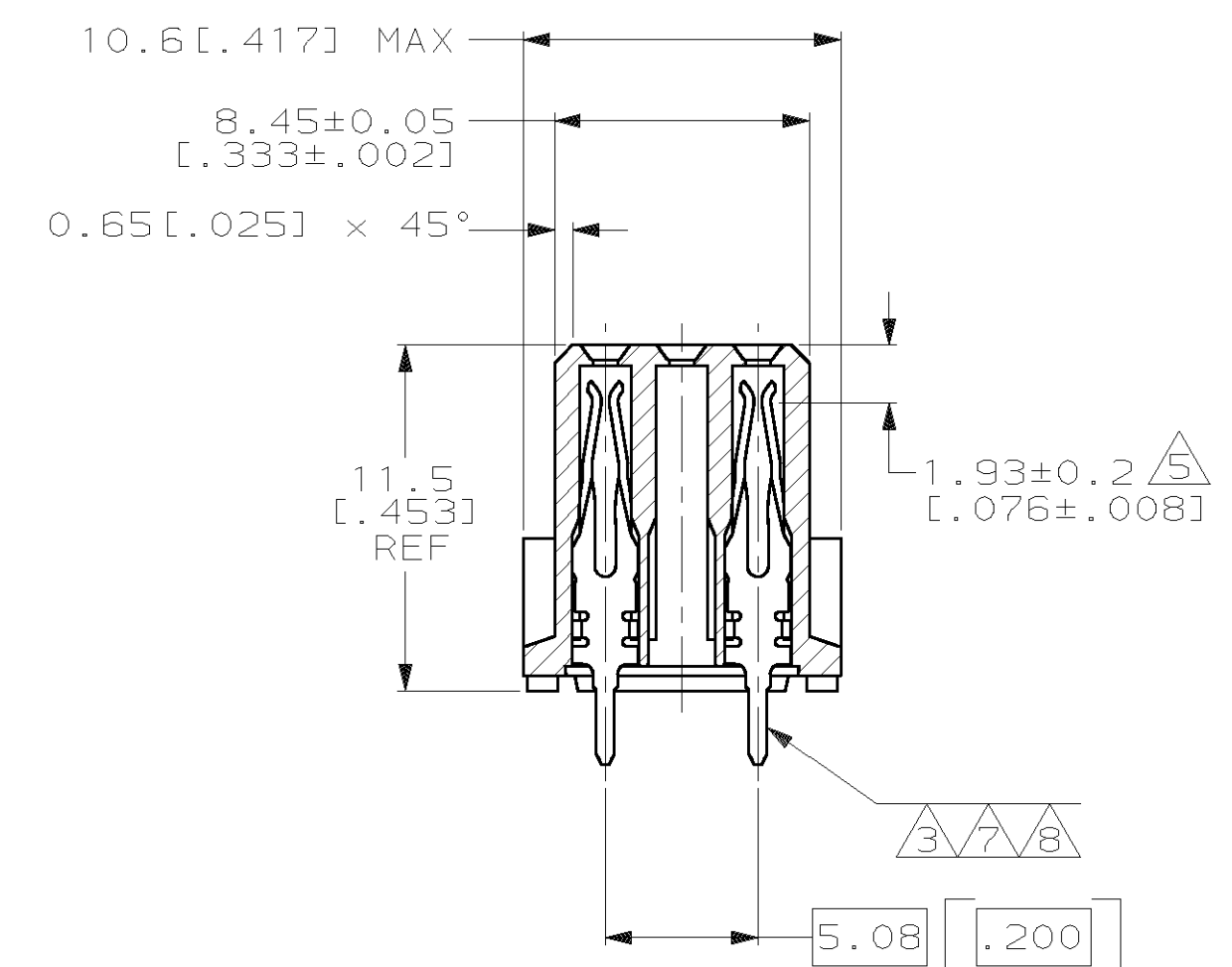


LOC	DIST	P	F	ZONE	LTR	REVISIONS	DATE	APPD
AD	25					0 DRAWN	-	-
						A ADD -9	3/28/90	LSB
						B ECN AD5297	1/23/91	LSB
						C ECN AD5876	11/19/91	LSB
						D EC 0010-1431-95	1/17/96	RAP
						E EC 0010-1491-95	4/1/96	CR
						F REV PER EC 001B-0367-00	09 JAN 01	CR



- △ HOUSING MATERIAL: GLASS-FILLED POLYESTER. COLOR: GRAY.
- △ CONTACT MATERIAL: PHOSPHOR BRONZE.
- △ CONTACT FINISH: 0.00076[.000030] GOLD IN CONTACT AREA. 0.00127[.000050] NICKEL UNDERPLATE ALL OVER. TIN-LEAD ON POSTS.
- △ PART NUMBER, DATE CODE IDENTIFICATION, CSA LOGO IN THIS APPROXIMATE AREA ON REVERSE SIDE.
- △ POINT OF MEASUREMENT FOR GOLD.
- △ RECOMMENDED HOLE SIZE FOR MANUAL APPLICATION OF CONNECTOR ONTO PC BOARD.
- △ CONTACT FINISH: DIN 41612 CLASS 3 IN CONTACT AREA. TIN-LEAD ON POSTS
- △ CONTACT FINISH: DIN 41612 CLASS 2 IN CONTACT AREA. TIN-LEAD ON POSTS



SECTION X-X

NOTE	POSITIONS LOADED			NO. OF LOADED POSITION	ASSY PART NUMBER	
	C	B	A			
△	1 THRU 32	X	-	X	64	650458-9
△	1 THRU 32	X	-	X	64	650458-5
△	1 THRU 32	X	-	X	64	650458-4

DO NOT SCALE PRINT. UNLESS SPECIFIED DIMENSIONS IN mm [INCHES] TOLERANCES ON:		DR L. BRINER 3/15/90	AMP INCORPORATED Harrisburg, Pa. 17105
1 PLC DEC ± -	2 PLC DEC ± 0.13 [.005]	CHK N. DRASHER 3/22/90	
ANGLES ± -		APPD N. DRASHER 3/22/90	
MATERIAL HSG △	CONT △	APPD K.R. PARMER 3/22/90	NAME EUROCARD, RECEPTACLE ASSEMBLY, TYPIC "C"
FINISH CONT △△△	APPLICATION SPEC -	PRODUCT SPEC -	SIZE D 00779 DRAWING NO 650458
WEIGHT -			SCALE 4:1 SHEET 1 OF 1