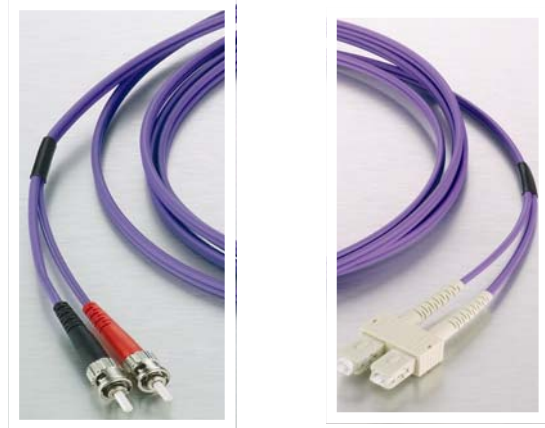


## OM3 Fibre Patch Cords

OM3 optical fibre systems are the pinnacle of multimode fibre design. To utilise the new 10Gbs Ethernet protocols in an optical fibre system requires either a full blown singlemode solution or OM3 50/125 multimode fibre. The OM3 system allows for new VCSEL based hardware and old legacy LED based hardware to co-exist over your system. For the hard pressed IT manager an OM3 optical fibre solution will give a simple migration path through



1Gbs to 10Gbs and have security knowing the system they are installing today will give many years of solid, secure service to their network.

The FibreFab OM3 patch cord utilises the best cable available along with the market leading Optronics connectors. Manufactured in FibreFab's ISO 9001 approved manufacturing facility these cables can be relied upon, even with in the most mission critical systems.

FibreFab has 15 years experience in manufacturing fibre optic cable assemblies. If you have a fibre network, no matter what the technology, FibreFab can offer you a solution to your problem. Optical Fibre patch cords are a defining factor in ensuring your network performs to the highest level, with a FibreFab patch cord you can be confident you are using the very best in cable, connectors and manufacturing.



- Multimode & Singlemode applications ST/SC/FC/LC/E2000/MU Connector types
- Ultra polish & Angle polish options available all terminations are manufactured to exceed performance parameters set by industry standards
- Tyco AMP approved UK manufacturing facility
- Fast turn around of non-standard requirements
- Full tracability & test certification supplied with each assembly

### Specifications

#### Patchcord Specification

##### Mechanical

Length: 1m to 10m ± 10mm  
Other lengths available to order

Split Length (Duplex): 150mm ± 5mm

##### Product Packaging

Each patch cord is packaged individually and individually identified for traceability, test certification is supplied for each

#### Optical fibre and cable performance

##### Attenuation (dB/km)

(850/1300) 2.8/0.8

##### Bandwidth (MHz.Km)

(850/1300) 1500/500

##### Sheath colour

Purple

##### Strength Members

Aramid strength members

##### Fire Performance

LSZH for Internal/External Applications  
Flame Resistance IEC 60332-1

#### Connector Specification

##### Optical Performance (Multimode)

Insertion loss: Max. 0.3 dB Typical 0.2 dB

##### Optical Performance (MT-RJ)

Insertion loss: Max. 0.5 dB

##### Operating Temperature

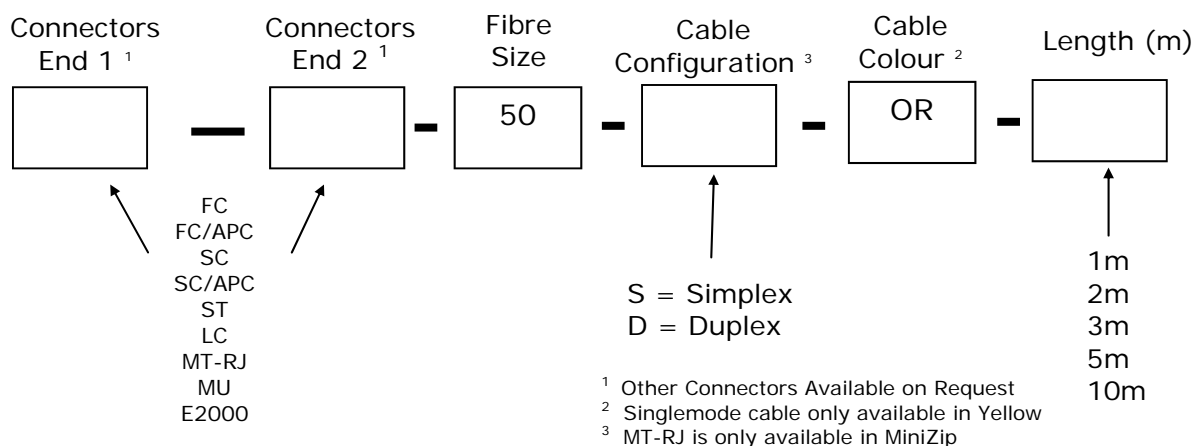
-40°C to +85°C

Intermateability Optically and mechanically compatible with all equivalent connectors.

Compliant with IEC 874-14.

For full information on the Optronics connectors used on the FibreFab patch cords, please contact the address below for a connector data sheet.

#### Ordering Information



#### FibreFab Limited

Davy Avenue  
Knowlhill  
Milton Keynes  
MK5 8ND

Tel: +44 (0) 870 127 3330  
Fax: +44 (0) 870 127 3331  
Email: sales@fibrefab.com  
Internet: www.fibrefab.com

FibreFab Ltd is registered in England no. 2734823.