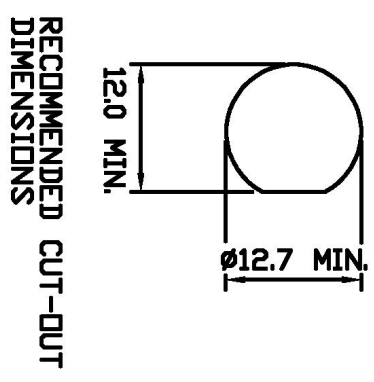
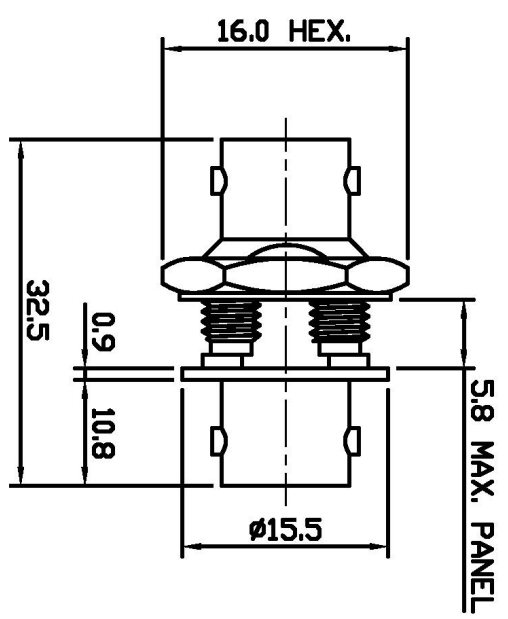


LOC	DIST	REVISIONS	DATE	DMN	APVD
E	B				
P	LTR	DESCRIPTION			
A		RELEASE FOR PRODUCTION	18.12.00	RS	RG



ALL DIMENSIONS ARE NOMINAL. FOR REFERENCE ONLY.

△ SUPPLIED SEMI-ASSEMBLED (PACK CONTAINS LOOSE PIECES)

DIE SET PART NUMBER	N/A
HANDTOOL PART NUMBER	N/A
FOR USE ON CABLES	N/A
CONNECTOR PLATING DETAIL	SILVER
CONTACT PLATING DETAIL	SILVER
DIELECTRIC MATERIAL	PTFE
GASKET MATERIAL	WHITE SILICONE RUBBER

THIS DRAWING IS A CONTROLLED DOCUMENT.	
DIMENSIONS: MM	TOLERANCES UNLESS OTHERWISE SPECIFIED:
	0 P/LC ±
	1 P/LC ±
	2 P/LC ±
	3 P/LC ±
	4 P/LC ±
	5 P/LC ±
	FINISH ±

DMN	18.12.00	NAME	Typo Electronics Corporation
CHK	R. SMITH	ADDRESS	Stonmore, Middlessex, HA7 4RS
APVD	R. GOODALL	DATE	18.12.00
PRODUCT SPEC	108-3435	APPLICATION SPEC	
WEIGHT		CUSTOMER DRAWING	
SIZE	A3	CAGE CODE	00779
DRAWING NO	1478045	RESTRICTED TO	

BAG	SINGLE ITEM	1-1478045-0
PACK TYPE	DESCRIPTION	PART NUMBER