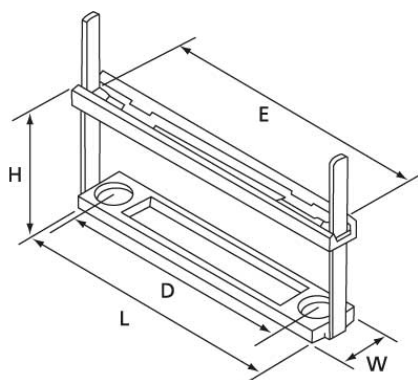




Ty-Rap®

FCC-1A

This system allows the secure and neat fixing of between 1 and 25 ribbon cables. The clamp height adapts accurately to the desired number of ribbon cables. An interesting feature is the fact these clamps are re-openable for later addition or removal of a cable.



T&B Catalog Number: FCC-1A
EAN Number: 05414363020448
UPC Number: 78621042723
Description: Cable clamp, for flat cables, self-adhesive / screw mounting, natural Polyamide 6.6

Technical Information

Type	Cable clamp
Mounting Method	self-adhesive / screw
Accessorie Style	for flat cables
Material	Polyamide 6.6
Temperature Range	-40°C to +85°C
Flammability Rating	UL 94 V-2
Colour	natural
Halogen free	yes
Silicone free	yes

Ordering Information

E (mm)	25.4
H (mm)	8.8 - 21
L (mm)	32.5
W (mm)	12.7
Screw Type	countersunk M4
Adhesive Strength on Steel (N/cm)	76
Quantity (pieces)	50
Weight (g/100)	275

For additional information, please contact our customer service. Phone: +32 (0) 64 88 63 88 - Fax: +32 (0) 64 88 65 50