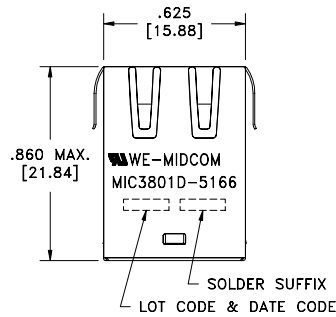
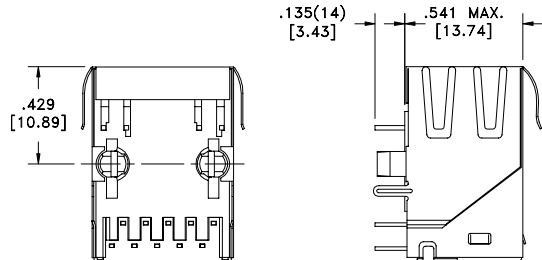
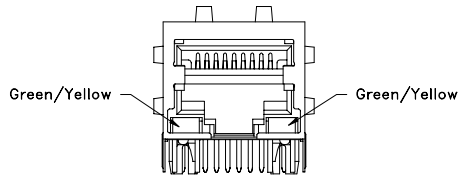


| | | | |
|---------------|-------------------|------|---------------|
| SOLDER SUFFIX | CUSTOMER TERMINAL | RoHS | LEAD(Pb)-FREE |
| LF3 | Sn100% | Yes | Yes |



ELECTRICAL SPECIFICATIONS @ 25°C unless otherwise noted:

INDUCTANCE: 350uH min., 100kHz, 100mV, 8mADC, J1-J2; J3-J6; J4-J5; J7-J8, Lp.

DIELECTRIC RATING: 2250VDC for 1 minute between PRI and SEC.

TURNS RATIO/POLARITY: Per schematic.

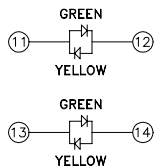
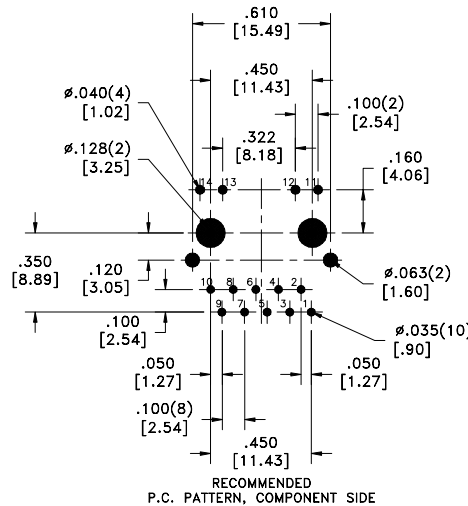
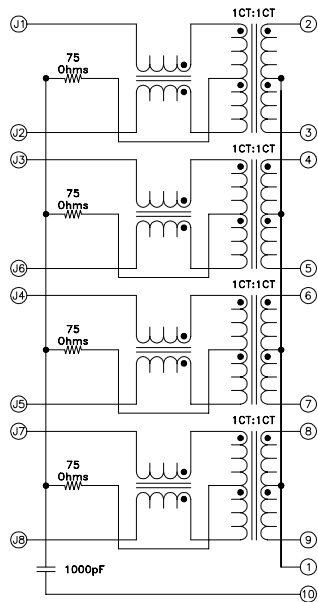
INSERTION LOSS: -1.0dB max., 1M - 100MHz.

RETURN LOSS: -18dB min., 1M - 40MHz.
-14dB min., 40M - 60MHz.
-12dB min., 60M - 80MHz.
-10dB min., 80M - 100MHz.

CROSSTALK: -30dB min., 1M - 100MHz.

COMMON MODE REJECTION: -35dB min., 1M - 100MHz.

OPERATING TEMPERATURE RANGE: 0°C to +70°C.



| REV. | DATE |
|------|------|
| 6A | 9/07 |

| |
|-------------------|
| AGENCY NUMBER |
| UL60950-1 E205930 |

Packaging Specifications

Method: Tube
PKG-0524
www.midcom-inc.com

Unless otherwise specified:
Tolerances: Fractions: ±1/64
Angles: ±1° Decimals: ±.010 [.25]

This drawing is dual dimensioned. Dimensions in brackets are in millimeters.

DRAWING TITLE

TRANSFORMER
Gigabit

eiSos p/n: 7499111441



DRAWING NO.

MIC3801D-5166T-LF3

REVISIONS: SEE SHEET 1

SCALE ---

SHEET 2 OF 6