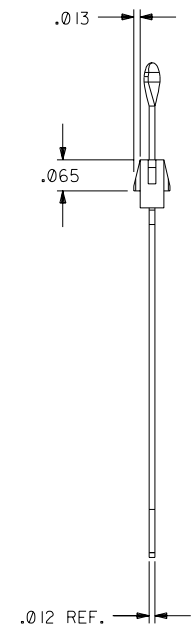
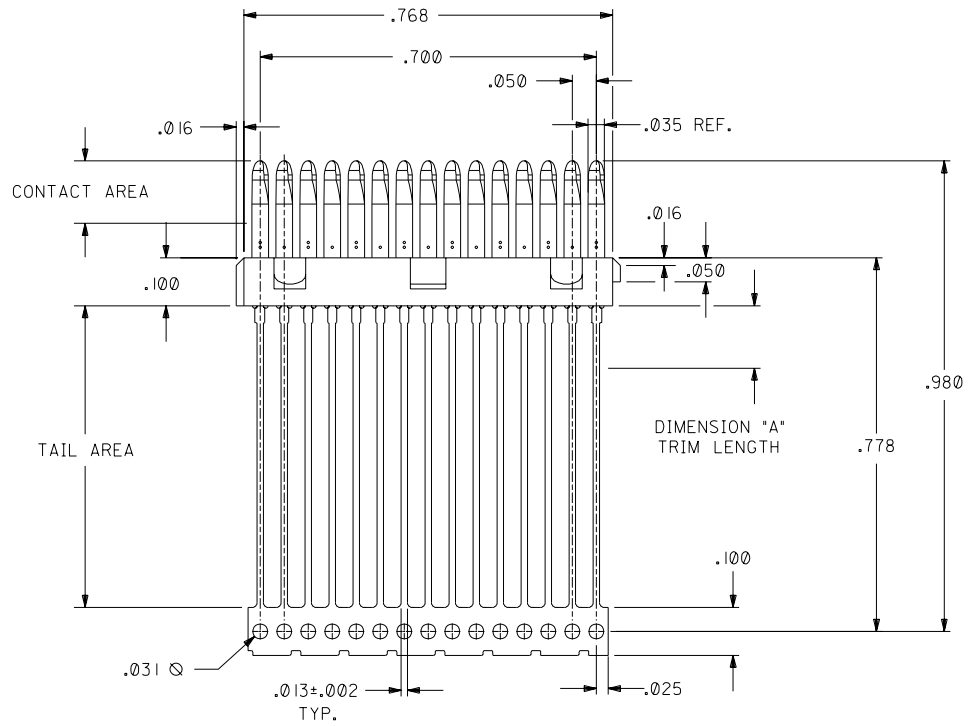
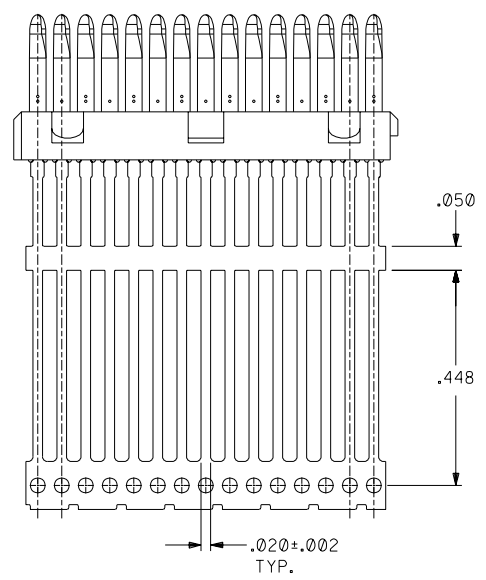


PART NUMBER	ENGINEERING NUMBER	DIMENSION "A"	BUSBAR OPTION	PLATING	
				CONTACT AREA	TAIL AREA
051-24-2021	70984-1001	N/A	NO	.000030/(0.00076) MINIMUM GOLD OVER A NICKEL UNDERPLATE	.000100/(0.00254) MINIMUM TIN OVER A NICKEL UNDERPLATE
051-24-2022	70984-1002	.130±.010	NO	.000030/(0.00076) MINIMUM GOLD OVER A NICKEL UNDERPLATE	.000100/(0.00254) MINIMUM TIN OVER A NICKEL UNDERPLATE
70984-1007		N/A	YES	.000030/(0.00076) MINIMUM GOLD OVER A NICKEL UNDERPLATE	.000050/(0.00127) MINIMUM NICKEL
70984-1010		N/A	YES	.000030/(0.00076) MINIMUM GOLD OVER A NICKEL UNDERPLATE	.000200/(0.00508) MINIMUM TIN OVER A NICKEL UNDERPLATE
70984-1014		.130±.010	NO	GOLD FLASH OVER A NICKEL UNDERPLATE	

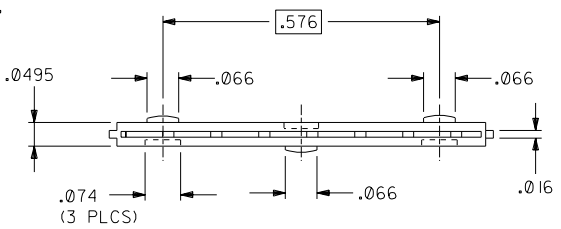
BUSBAR OPTION  
(SEE CHART FOR PART #'S)



NOTES

- MATERIALS:  
INSULATOR: GLASS FILLED LIQUID CRYSTAL POLYMER (LCP), UL 94V-0, COLOR: BLACK.  
TERMINAL: PHOSPHOR BRONZE, .012 THICK.  
PLATING: SEE CHART
- FOR PART NUMBERS AND PLATING OPTIONS, SEE CHART.
- PARTS CONFORM TO PRODUCT SPECIFICATION PS-70928.
- PACKAGED PER SPECIFICATION PK-70873-0335 APPLIES.

NOTE FOR LEAD FREE CONVERSION:  
THE PRIMARY SHIPPING CARTON WILL BE LABELED "COMPLIANT TO ROHS DIRECTIVE 2002/95/EC AND ELV ANNEX II OF DIRECTIVE 2000/53/EC". CARTONS WITHOUT THIS LABEL MAY CONTAIN PRODUCT WITH LEAD.



DIMENSIONS ARE IN INCHES

PLACES	TOLERANCE	INCH	METRIC
3	± .010	---	---
2	± ---	± ---	---
1	---	± ---	---

UNLESS OTHERWISE SPECIFIED TOLERANCES: ANGULAR ± 1/2°

3 PLACE ± .010 --- ---  
2 PLACE ± --- ± --- ---  
1 PLACE --- ± --- ---

DRAFT WHERE APPLICABLE MUST REMAIN WITHIN DIMENSIONS

DRWG. BY: SCHMIDGALL  
CHK'D. BY: MOS  
APP'D. BY: CAB  
SCALE: 5:1

TITLE: 15ck+ LFH PLUG INSERT MOLDED CONTACT ASSEMBLY - SALES DETAIL

MOLEX INCORPORATED  
LITSE, ILL. 60532 U.S.A.

SHEET NO. 1 OF 1  
DATE 08/04/93

PART NO. SDA-70984-100\*  
DRWG. NO. SDA-70984-100\*

THIS DRAWING CONTAINS INFORMATION THAT IS PROPRIETARY TO MOLEX INC. AND SHOULD NOT BE USED WITHOUT WRITTEN PERMISSION.

REV.	DESCRIPTION
F	LEADFREE ECN# UCP2004-1998 DMORGAN 04/04/14
E	ADD -1014 ASSY ECN UDT2002-0739 BBARKER 01/11/21
D	REVISED UDT2001-1316 SCHMIDGGA 05/18/01
CI	REVISED PER ECN U6-1240 04/09/96 DRS
C	REVISED PER ECN U6-0746 1/30/95 MOS
B	ADDED PART NO. PER ECN U4-0497 04/20/94 MOS
AI	ADDED PART NO. PER ECN U3-1261 09/14/93 DRS
A	FIRST RELEASE PER ECN U3-1063 7.12.93 MOS

70984