



FLYBACK TRANSFORMERS

EE 25

15 to 30 W

- Ambient Temperature $\leq 50^{\circ}\text{C}$
- Primary Reflected Voltage = 90 to 120V
- Dielectric Strength $\geq 3750\text{Vac}$
- Creepage Distances $\geq 6\text{mm}$
- Construction conforms to CEI950, CEI335, CEI61558 for reinforced insulation
- Secondaries may be series connected
- Output power can be delivered with any combination of secondaries within the max current limits.

MYRRA Part N°	Control IC	Mains Voltage Range Vac	Total output Power (max) Watts	Outputs				Frequency kHz	Primary Inductance μH	Pinout	Remarks
				S1		S2 or S3					
				Voltage Range Vdc	Max Current Adc	Voltage Range Vdc	Max Current Adc				
74030	VIPer50	85 - 265	22	4,5 - 6	2,5	10,5 - 14	1,2	70	750	Fig.1	
	VIPer50	185 - 265	30	4,5 - 6	3	10,5 - 14	1,5	70			
	TOP223Y	85 - 265	18	3,3 - 7	2,5	8 - 16	1,2	100			
	TOP223Y	185 - 265	21	3,3 - 7	3	8 - 16	1,5	100			
	TOP224Y	85 - 265	22	3,3 - 7	2,5	8 - 16	1,2	100			
	TOP224Y	185 - 265	30	3,3 - 7	3	8 - 16	1,5	100			
	MC33371	85 - 265	22	4 - 7	2,5	10 - 17	1,2	100			
	MC33371	185 - 265	30	4 - 7	3	10 - 17	1,5	100			
	TDA16832	92 - 265	15	5 - 6	2,5	11 - 14	1,2	100			
	TDA16832	185 - 265	30	5 - 6	3	12 - 14,5	1,5	100			
	KA1H0265R	85 - 265	22	6 - 7	2,5	14 - 16	1,2	100			
74032	TOP223P	185-265	25	24	1,1			100	1100	Fig.2	

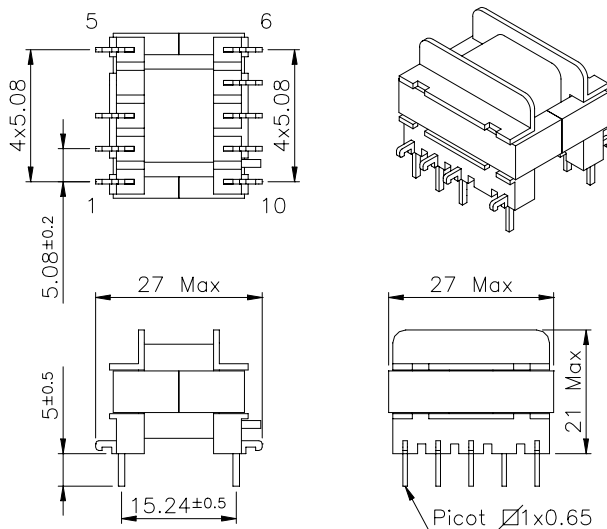


FIG.1
VIEW FROM PIN SIDE
PIN 4 REMOVED
PCB DRILLING DIAMETER 1.4mm

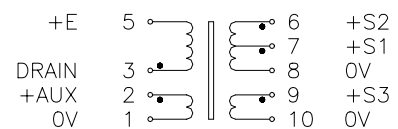


FIG.2
VIEW FROM PIN SIDE
PIN 4 REMOVED
PCB DRILLING DIAMETER 1.4mm

