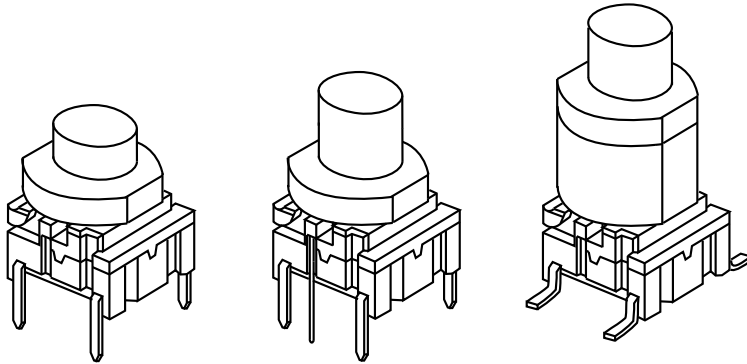


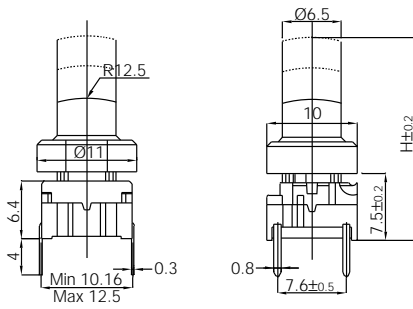
multimec® 3F+1S



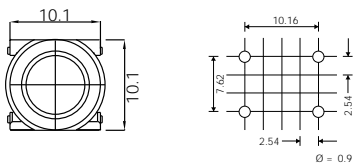
Technical Data:

- through-hole or SMD
- 50mA/24VDC
- single pole/momentary
- 10.000.000 operations life time
- IP67 sealing
- temperature range:
low temp: -40/+65°C
high temp: -40/+160°C

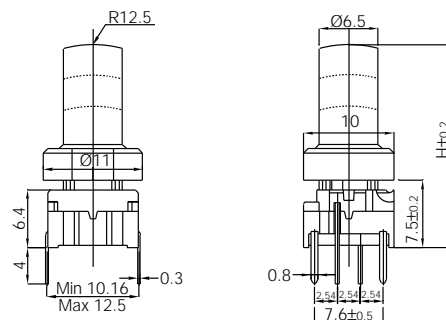
Dimensions (through-hole)



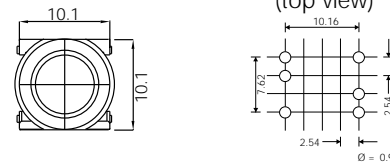
PCB layout



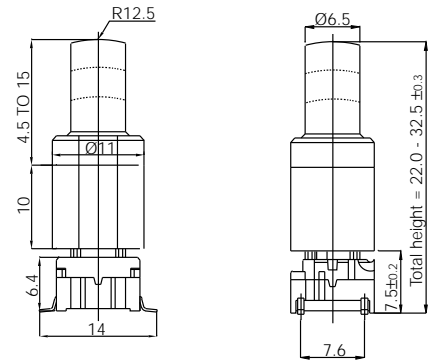
Dimensions (w/LED)



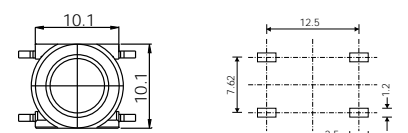
PCB layout (top view)



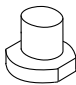
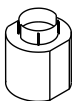
Dimensions (SMD)



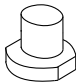
PCB layout



HOW TO ORDER

3 F	<input type="checkbox"/>	<input type="checkbox"/>	+	<input type="checkbox"/>	<input type="checkbox"/>	<input type="checkbox"/>	<input type="checkbox"/>	+	<input type="checkbox"/>	<input type="checkbox"/>	<input type="checkbox"/>	<input type="checkbox"/>
Switch	Mounting	L 6 low temp. T through-hole S surface mount		1 S 0 9 -	Cap black	Height	16.0 19.0 22.5		2 S 0 9 - 1 0 . 0	Extender black	Height	(Optional) Adds 10mm to total height (stackable)
												

Standard versions:
3FTL6, 3FTH9, 3FSH9

3 F	T	<input type="checkbox"/>	<input type="checkbox"/>	+	<input type="checkbox"/>	<input type="checkbox"/>	<input type="checkbox"/>	<input type="checkbox"/>
Switch	Mounting	L 6 low temp. T through-hole	LED		1 S 1 1 -	Cap transparent	Height	16.0 19.0 22.5
		H 9 high temp.	20 green 40 yellow 80 red					

Standard versions:
3FTL620, 3FTL640, 3FTL680

Customised heights:

3F + 1S is available in any height from 12.0 to 22.5 mm.
3F + 1S + 2S is available in any height from 22.0 to 32.5 mm.
Min. order qty. for custom heights is 2.000 pcs. A start-up charge will apply.
For heights less than 12.0 mm, please refer to 3E switch range.

Ordering example: 3 FTL640 + 1S11-19.0