

# Miniature Snap-In Nylon Rocker



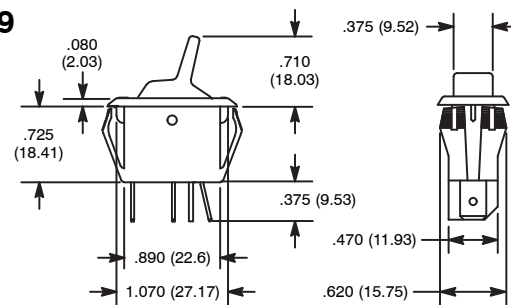
## Features

- Fits Standard Panel Cutout



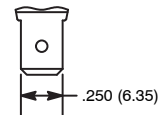
NTE Type No.	Circuitry	Action			Actuator		Diag No.
					Material	Color	
54-102	SPST	OFF	NONE	ON	Polyester or Nylon	Black	S19b

S19



Terminal Types

b: .250" Tab (Q.C.)



## Specifications

**Current Rating:** 16A 125VAC, 10A 250VAC, 10(4)A 250VAC $\mu$  T85  
**Insulation Resistance:** 100 Megohms (min.)  
**Dielectric Strength:** 1000V RMS (min.)  
**Temperature Rating:** +32° to +185°F (0° to +85°C)  
**Electrical Life:** 100,000 cycles  
**Mechanical Life:** 100,000 cycles  
**Terminal Type:** .250" Tab Q.C.  
**Mounting Hole:** 1.125 (28.58) x .550 (13.97)

# Miniature Snap-In Nylon Rocker



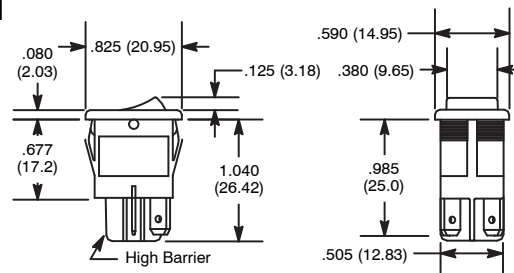
## Features

- Single & Double Pole Types
- Double Insulated
- High Barrier Type



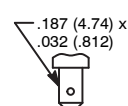
NTE Type No.	Circuitry	Action			Actuator		Diag No.
					Material	Color	
54-074	SPDT	ON	NONE	ON	Nylon	Black	S21b
54-075	SPST	ON	NONE	OFF	Nylon	Black	S21b
54-076	DPST	ON	NONE	OFF	Nylon	Black	S21b
54-077	SPDT	ON	NONE	ON	Nylon	Black	S21b

S21



Terminal Types

b: .187" Tab (Q.C.)



Mounting Hole

Panel Thickness	Y
.030 (.762) - .060 (1.52)	.756 (19.20)
.060 (1.52) - .093 (2.36)	.764 (19.40)
.093 (2.36) - .156 (3.96)	.780 (19.81)

Mounting Hole Dimensions: .508 (12.9) x Y

## Specifications

**Current Rating:** 8A 125VAC, 4A 250VAC, Inductive 6(4)A 250VAC T85\*\*  
**Insulation Resistance:** 100 Megohms (min.)  
**Dielectric Strength:** 1000V RMS (min.)  
**Temperature Rating:** +32° to +185° (0°C to +85°C)  
**Electrical Life:** 50,000 cycles  
**Mechanical Life:** 100,000 cycles  
**Terminal Type:** .187" Tab Q.C.  
**Mounting Hole:** See Table 1

\*\* 54-075, 54-076, 54-077 ONLY