

**PLEASE CHECK WWW.MOLEX.COM FOR LATEST PART INFORMATION**

**Part Number:** [0039036034](#)  
**Status:** **Active**  
**Overview:** Standard .093"  
**Description:** 2.36mm (.093") Diameter Standard .093" Pin and Socket Receptacle Housing With Positive Latch, UL 94V-2, 3 Circuits

**Documents:**

<a href="#">3D Model</a>	<a href="#">Product Specification PS-3191-003 (PDF)</a>
<a href="#">Drawing (PDF)</a>	<a href="#">Product Specification PS-3191-005 (PDF)</a>
<a href="#">Product Specification PS-3191-001 (PDF)</a>	<a href="#">RoHS Certificate of Compliance (PDF)</a>

**Agency Certification**

CSA	LR19980
TUV	R72081037
UL	E29179

**General**

Product Family	Crimp Housings
Series	<a href="#">3191</a>
Comments	Polarized to Mating Part
Overview	<a href="#">Standard .093"</a>
Product Name	Standard .093"

**Physical**

Breakaway	No
Circuits (maximum)	3
Circuits Detail	1x3
Color - Resin	Natural
Flammability	94V-2
Gender	Dual
Glow-Wire Compliant	No
Keying to Mating Part	None
Lock to Mating Part	Yes
Material - Resin	Nylon
Number of Rows	1
Packaging Type	Bag
Panel Mount	No
Pitch - Mating Interface (in)	0.264 In
Pitch - Mating Interface (mm)	6.71 mm
Polarized to Mating Part	Yes
Stackable	No
Temperature Range - Operating	-40°C to +105°C

**Electrical**

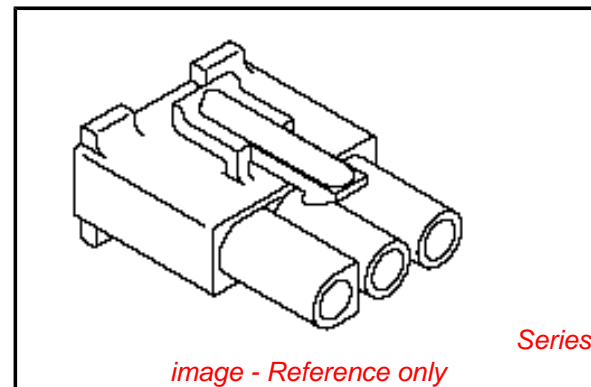
Current - Maximum per Contact	11A
-------------------------------	-----

**Material Info**

Old Part Number	3191-03R1
-----------------	-----------

**Reference - Drawing Numbers**

Product Specification	PS-3191-001, PS-3191-003, PS-3191-005, RPS-3191-001, RPS-3191-002
Sales Drawing	SD-3191-03R1-*



**EU RoHS**

**ELV and RoHS Compliant**  
**REACH SVHC Contains SVHC: No**  
**Halogen-Free**  
**Status Not Reviewed**

**China RoHS**



**Need more information on product environmental compliance?**

Email [productcompliance@molex.com](mailto:productcompliance@molex.com)  
 For a multiple part number RoHS Certificate of Compliance, [click here](#)

Please visit the [Contact Us](#) section for any non-product compliance questions.

**Search Parts in this Series**

[3191Series](#)

**Mates With**

[3191](#) Pin and Socket Plug, [5219](#) Vertical PCB Header

**Use With**

[1189](#) Crimp Terminals, [1190](#) Crimp Terminals, [1380](#) Male Crimp Terminals, [1381](#) Female Crimp Terminals, [1433](#) Crimp Terminals, [1434](#) Male Crimp Terminals, [2605](#) , [2606](#) , [1973](#) , [2151](#) , [2273](#) , [2870](#) , [2871](#) , [4272](#) , Lin

**PLEASE CHECK [WWW.MOLEX.COM](http://WWW.MOLEX.COM) FOR LATEST PART INFORMATION**