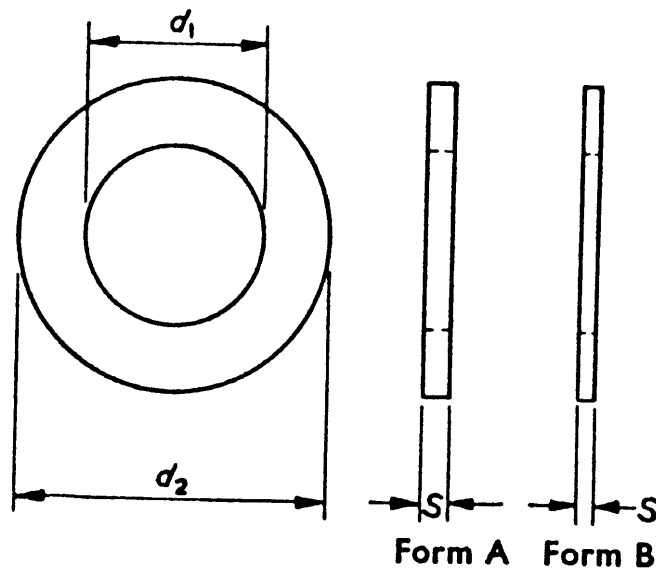


TABLE 1. BRIGHT WASHERS—NORMAL DIAMETER. METRIC SERIES
(Forms A and B)



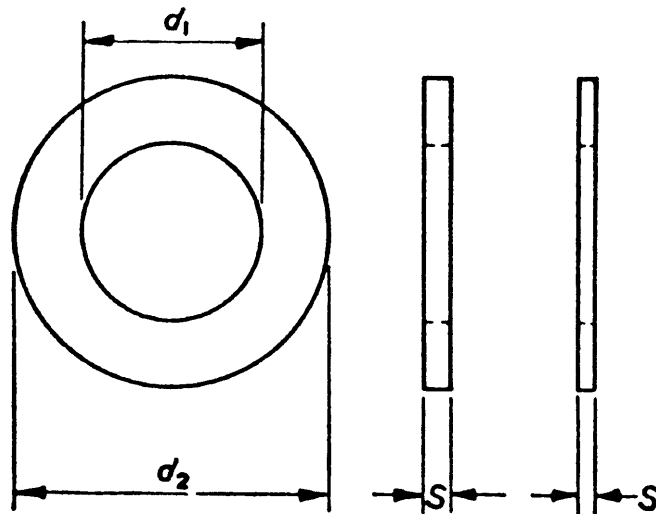
Dimensions in millimetres

1 Nominal size of bolt or screw	2 Inside diameter			5 Outside diameter			8 Thickness s					
	3 d_1			4 d_2			9 Form A (Normal range)			10 Form B (Light range)		
	nom.	max.	min.	nom.	max.	min.	nom.	max.	min.	nom.	max.	min.
M 1-0	1.1	1.25	1.1	2.5	2.5	2.3	0.3	0.4	0.2	—	—	—
M 1-2	1.3	1.45	1.3	3.0	3.0	2.8	0.3	0.4	0.2	—	—	—
(M 1-4)	1.5	1.65	1.5	3.0	3.0	2.8	0.3	0.4	0.2	—	—	—
M 1-6	1.7	1.85	1.7	4.0	4.0	3.7	0.3	0.4	0.2	—	—	—
M 2-0	2.2	2.35	2.2	5.0	5.0	4.7	0.3	0.4	0.2	—	—	—
(M 2-2)	2.4	2.55	2.4	5.0	5.0	4.7	0.5	0.6	0.4	—	—	—
M 2-5	2.7	2.85	2.7	6.5	6.5	6.2	0.5	0.6	0.4	—	—	—
M 3	3.2	3.4	3.2	7	7	6.7	0.5	0.6	0.4	—	—	—
(M 3-5)	3.7	3.9	3.7	7	7	6.7	0.5	0.6	0.4	—	—	—
M 4	4.3	4.5	4.3	9	9	8.7	0.8	0.9	0.7	—	—	—
(M 4-5)	4.8	5.0	4.8	9	9	8.7	0.8	0.9	0.7	—	—	—
M 5	5.3	5.5	5.3	10	10	9.7	1.0	1.1	0.9	—	—	—
M 6	6.4	6.7	6.4	12.5	12.5	12.1	1.6	1.8	1.4	0.8	0.9	0.7

continued on next page

TABLE 1. BRIGHT WASHERS—NORMAL DIAMETER.

METRIC SERIES (Forms A and B)—continued



Dimensions in millimetres

Form A Form B

1 Nominal size of bolt or screw	2 Inside diameter			5 6 7 Outside diameter			8 9 10 11 12 13 Thickness s					
	3 4 d_1			d_2			Form A (Normal range)			Form B (Light range)		
	nom.	max.	min.	nom.	max.	min.	nom.	max.	min.	nom.	max.	min.
(M 7)	7.4	7.7	7.4	14	14	13.6	1.6	1.8	1.4	0.8	0.9	0.7
M 8	8.4	8.7	8.4	17	17	16.6	1.6	1.8	1.4	1.0	1.1	0.9
M 10	10.5	10.9	10.5	21	21	20.5	2.0	2.2	1.8	1.25	1.45	1.05
M 12	13.0	13.4	13.0	24	24	23.5	2.5	2.7	2.3	1.6	1.80	1.40
(M 14)	15.0	15.4	15.0	28	28	27.5	2.5	2.7	2.3	1.6	1.8	1.4
M 16	17.0	17.4	17.0	30	30	29.5	3.0	3.3	2.7	2.0	2.2	1.8
(M 18)	19.0	19.5	19.0	34	34	33.2	3.0	3.3	2.7	2.0	2.2	1.8
M 20	21	21.5	21	37	37	36.2	3.0	3.3	2.7	2.0	2.2	1.8
(M 22)	23	23.5	23	39	39	38.2	3.0	3.3	2.7	2.0	2.2	1.8
M 24	25	25.5	25	44	44	43.2	4.0	4.3	3.7	2.5	2.7	2.3
(M 27)	28	28.5	28	50	50	49.2	4.0	4.3	3.7	2.5	2.7	2.3
M 30	31	31.6	31	56	56	55.0	4.0	4.3	3.7	2.5	2.7	2.3
(M 33)	34	34.6	34	60	60	59.0	5.0	5.6	4.4	3.0	3.3	2.7
M 36	37	37.6	37	66	66	65.0	5.0	5.6	4.4	3.0	3.3	2.7
(M 39)	40	40.6	40	72	72	71.0	6.0	6.6	5.4	3.0	3.3	2.7

Sizes shown in brackets are non-preferred.