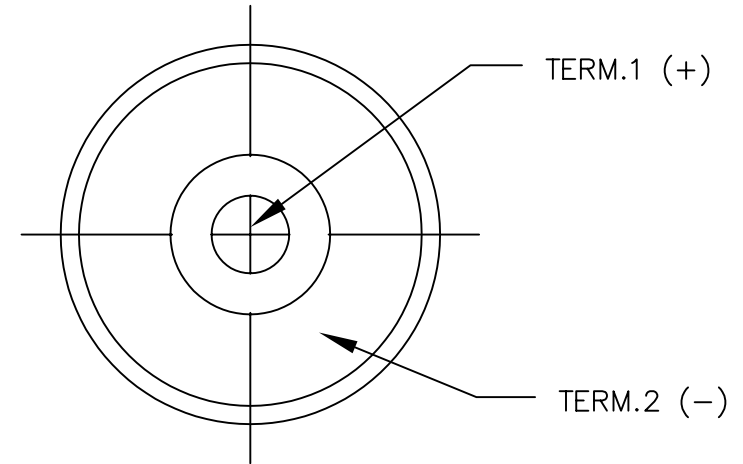
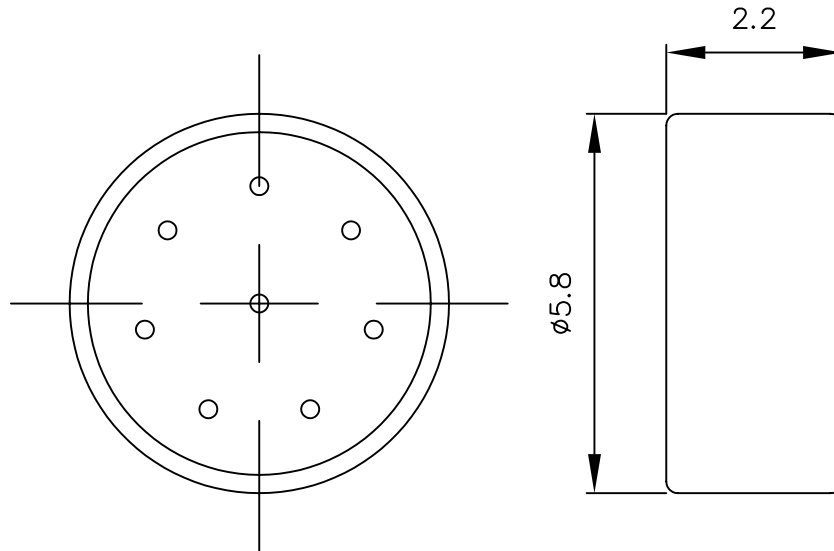


THIS DOCUMENT CONTAINS DATA PROPRIETARY TO PROJECTS UNLIMITED, INC. ANY USE OR REPRODUCTION, IN ANY FORM, WITHOUT PRIOR WRITTEN PERMISSION OF PROJECTS UNLIMITED, INC. IS PROHIBITED.

SPECIFICATIONS

PARAMETERS	VALUES	UNITS
DIRECTIVITY	OMNI	-
SENSITIVITY	-44±3	dB
STANDARD OPERATING VOLTAGE	2	Vdc
MAX OPERATING VOLTAGE	10	Vdc
CURRENT CONSUMPTION (MAX)	0.5	mA
IMPEDANCE	2,200	K Ohm
SIGNAL TO NOISE RATIO	60	dB
TERMINAL	SOLDERLESS	-


REVISIONS			
LTR	DESCRIPTION	DATE	APPROVED
-	RELEASED FROM ENGINEERING	11/13/03	



NOTES:

1. ALL DIMENSIONS ARE IN MILLIMETERS.
2. SPECIFICATION SUBJECT TO CHANGE OR WITHDRAWAL WITHOUT NOTICE.

FILE NAME
ROM-2244S-NF.DWG

UNLESS OTHERWISE SPECIFIED: DIMENSIONS ARE IN MILLIMETERS, TOLERANCES ARE ±0.5 AND ANGLES ARE ±3°.		 projects [®] unlimited Dayton , Ohio	
APPROVALS		MICROPHONE	
DATE		ROM-2244S-NF	
DRAWN <i>R.A.C.</i>	11/03	DRAWING NO.	
APPROVED <i>R.W.</i>	11/03	ROM-2244S-NF	
SIZE A		SHEET 1 OF 1	
DO NOT SCALE DRAWING		SCALE: N.T.S.	