

DWG. NO.
SD-5219-06A

SIMILAR ITEM

PDR. NO.

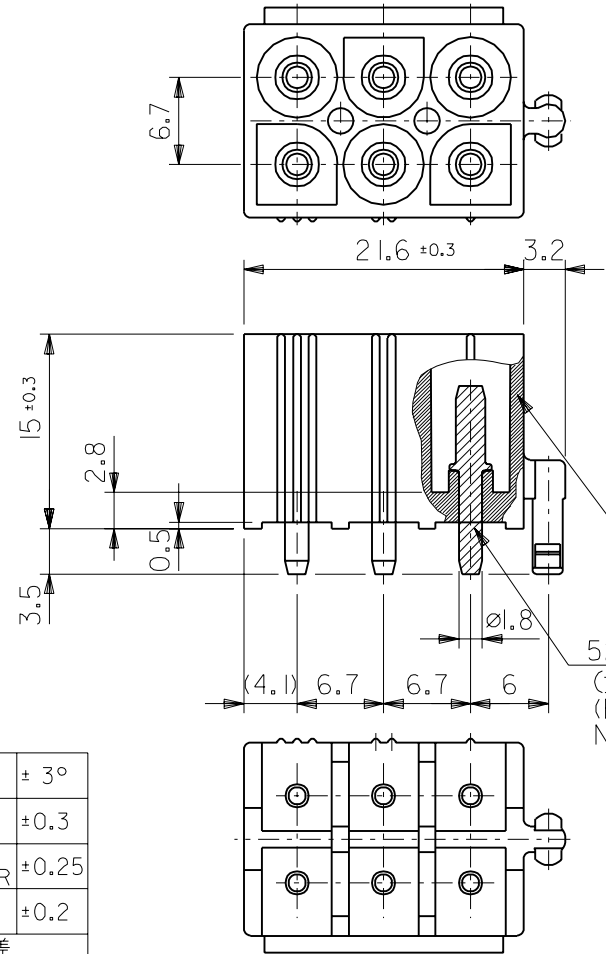
C

B

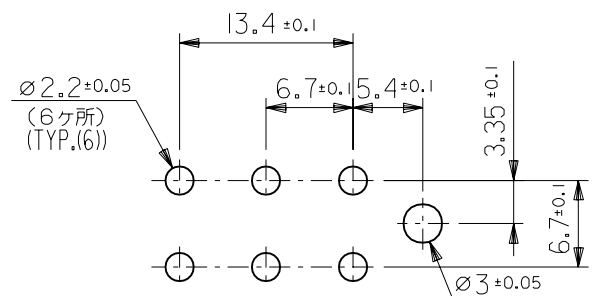
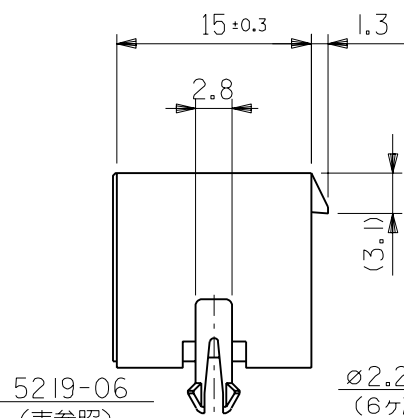
DO NOT SCALE DRAWING

角度 ANGLE	± 3°
30 以上 OVER	±0.3
10 以上 OVER 30 未満 UNDER	±0.25
10 未満 UNDER	±0.2
一般公差 GENERAL TOLERANCES	

EC NO. DRWN: CHK: APPR:	EC NO. DRWN: CHK: APPR:	EC NO. DRWN: CHK: APPR:	EC NO. DRWN: CHK: APPR:	REDRAWN '00/5/30 EC No. JC2000-0788 DRWN: K. KOHAMA CHK: M. FUKUSHIMA APPR: M. FUKUSHIMA	MATERIAL
				J	図中記 SEE CHART
				REV	



注記:
NOTES:
I. 適合リセプタクルハウジング: 3191-06R*
TO BE MATED WITH RECEPTACLE
HOUSING : 3191-06R*



基板取付穴推奨寸法
RECOMMENDED P.C. BOARD HOLE DIMENSIONS

5219-06A	15-31-1066	NYLON66,94V-2
ENG. NO.	EDP NO.	ハウジングの材質 MATERIAL

GENERAL TOLERANCES: (UNLESS SPECIFIED) DIM. : ±0.1 ANGLE : ±1°	SCALE 2 : 1	DESIGN UNITS <input checked="" type="checkbox"/> mm <input type="checkbox"/> INCH	DIMENSIONS: <input type="checkbox"/> mm <input type="checkbox"/> INCH <input checked="" type="checkbox"/> mm ONLY		SHT	REV	
	QUALITY SYMBOLS ■ : CRITICAL ▽ : ZERO DEFECT ☒ : MAJOR ▽ : S.P.C.	THIRD ANGLE PROJECTION		REVISION ON CAD ONLY			
DRAWN BY & DATE K. KOHAMA '00/5/30		TITLE: NEW INTERNATIONAL CONNECTOR 6 POS. HEADER				MATERIAL NO.	
CHECKED BY & DATE M. FUKUSHIMA '00/5/30		APPROVED BY & DATE M. FUKUSHIMA '00/5/30		DRAWING NO. SD-5219-06A		SHEET NO. 1 OF 1	
CAD FILENAME SD521906A.S01		MATERIAL NO. SEE CHART		DRAWING NO. SD-5219-06A		SHEET NO. 1 OF 1	
THIS DRAWING CONTAINS INFORMATION THAT IS PROPRIETARY TO MOLEX INCORPORATED AND SHOULD NOT BE USED WITHOUT WRITTEN PERMISSION.							SIZE A

SD521906A.S01