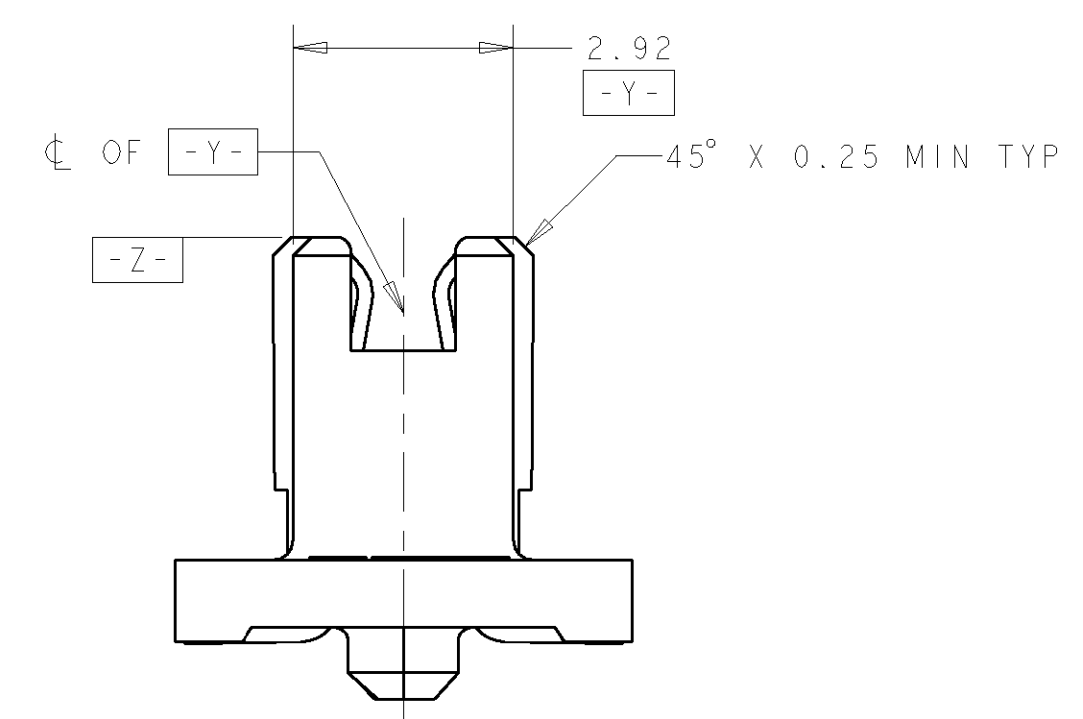
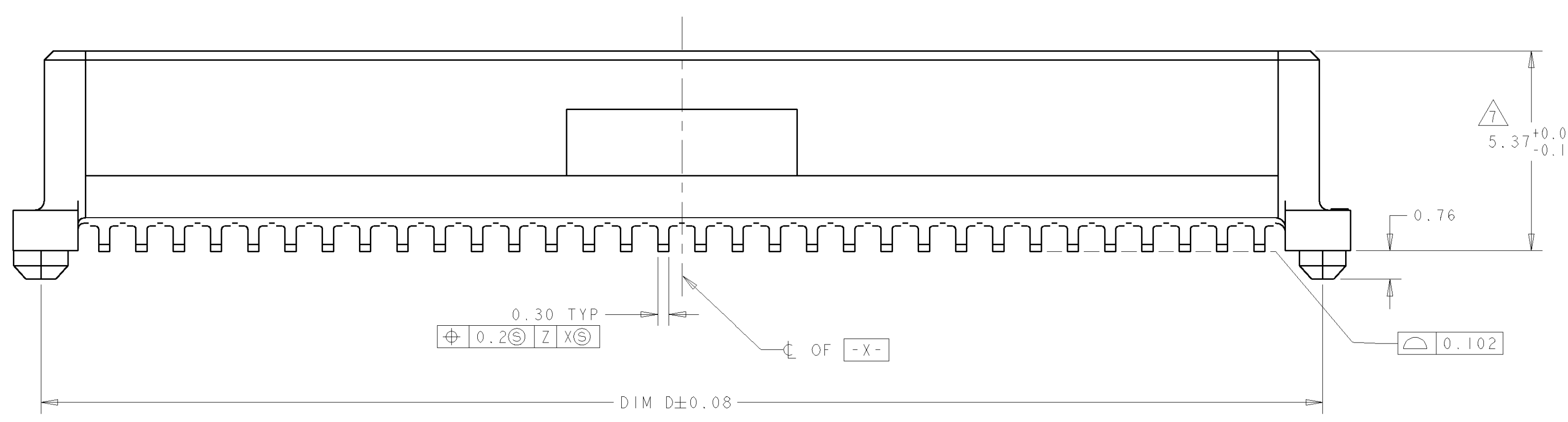
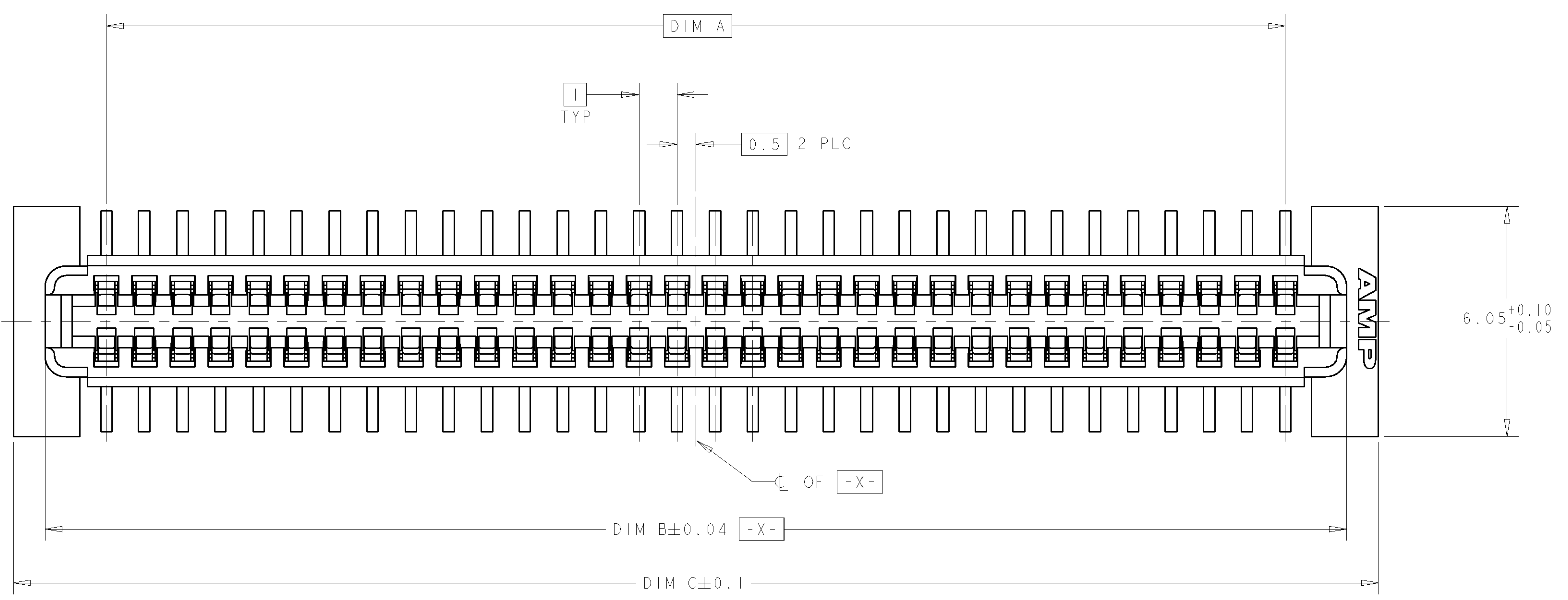
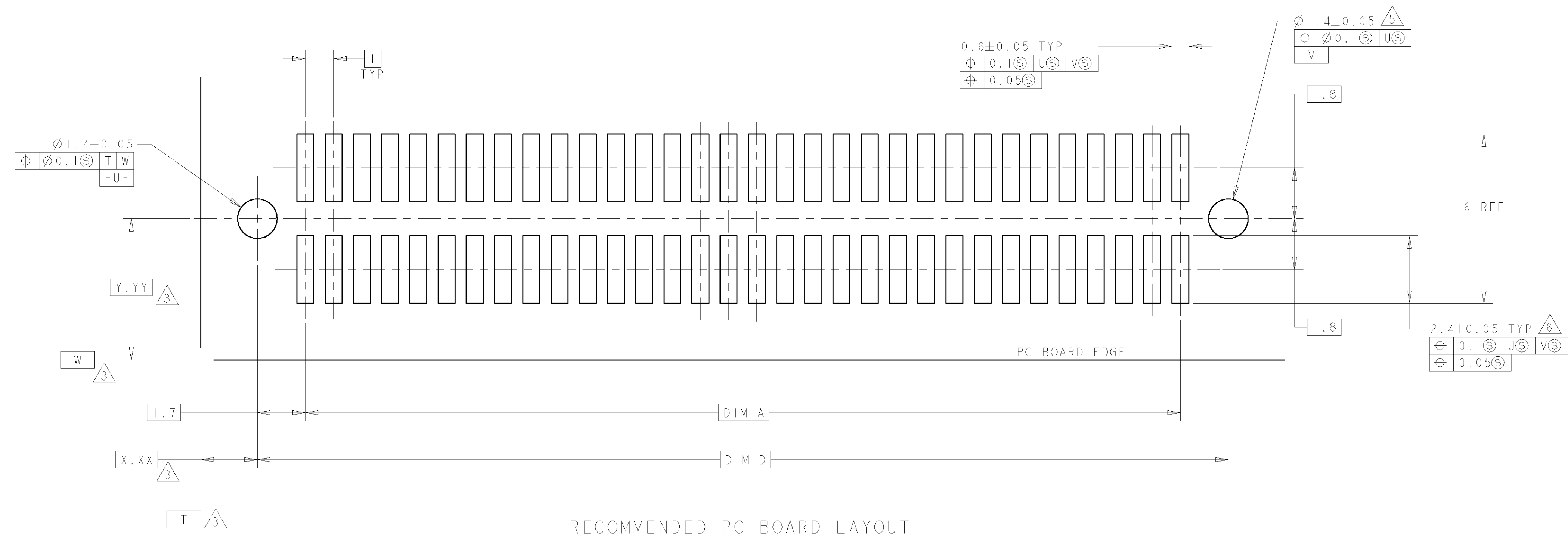


LOC	DIST	REV	DATE	BY	CHK	APPD
AD	39	E	07FEB01	JG	MG	



- 1 HOUSING MATERIAL: POLYPHTHALAMIDE, COLOR: BLACK. CONTACT MATERIAL: PHOSPHOR BRONZE.
- 2 CONTACT FINISH: 0.00381 MINIMUM MATTE TIN-LEAD (93-7) ON SOLDER AREA, 0.00076 MINIMUM GOLD ON MATING AREA, BOTH OVER 0.00127 MINIMUM NICKEL ON ENTIRE CONTACT.
- 3 DATUM LOCATIONS AND BASIC DIMENSIONS TO BE ESTABLISHED BY THE CUSTOMER. CONSULT AMP ENGINEERING WHEN PLACING MULTIPLE CONNECTORS ON A PC BOARD.
- 4. PACKAGED IN TAPE ON REEL PER EIA-481.
- 5 1.5±0.05 DIAMETER HOLE SHOULD BE USED IF PLACED ON PCB WITH VACUUM PLACEMENT EQUIPMENT.
- 6 SHORTER SOLDER LANDS MAY BE USED PER EIA 700AAAB, HOWEVER 2.4 LENGTH ASSURES OPTIMUM SOLDER FILLET REGARDLESS OF MANUFACTURER OF CONNECTOR.
- 7 REFERRED TO AS DIM H = 5.30±0.1 IN EIA700AAAB SPECIFICATION.



RECOMMENDED PC BOARD LAYOUT

DIM D	DIM C	DIM B	DIM A	MATING CONNECTOR	STACK HGTS	POS	PART NO
44.4	45.9	44.22	41	120527-2	10	84	120521-2
44.4	45.9	44.22	41	120526-2	9	84	120521-2
44.4	45.9	44.22	41	120525-2	8	84	120521-2
34.4	35.9	34.22	31	120527-1	10	64	120521-1
34.4	35.9	34.22	31	120526-1	9	64	120521-1
34.4	35.9	34.22	31	120525-1	8	64	120521-1

<small>THIS DRAWING IS A CONTROLLED DOCUMENT FOR AMP INCORPORATED. ALL CHANGES TO THIS DRAWING MUST BE CONTROLLED BY THE ORGANIZATION THAT ISSUED THIS DRAWING. CONTACT THE ORGANIZATION FOR THE LATEST REVISION.</small>		DWN: J. REED 27/11/97 ENR: L. VO 27/11/97 APPD: -	<b>AMP</b> AMP Incorporated Harrisburg, PA 17105-3608
DIMENSIONS: mm TOLERANCES UNLESS OTHERWISE SPECIFIED: 0 PLC ± 1 PLC ±0.03 2 PLC ±0.03 3 PLC ±0.03 4 PLC ± ANGLES ±0°-1'	PRODUCT SPEC: - APPLICATION SPEC: - WEIGHT: - FINISH: -	NAME: - RECEPTACLE ASSY, 1.0mm FH(IEEE1386) CONNECTOR SIZE: A1 CAGE CODE: 00779 DRAWING NO: C-120521	SCALE: 10:1 SHEET: 1 OF 1 REV: F