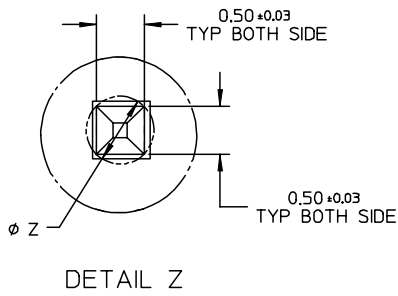
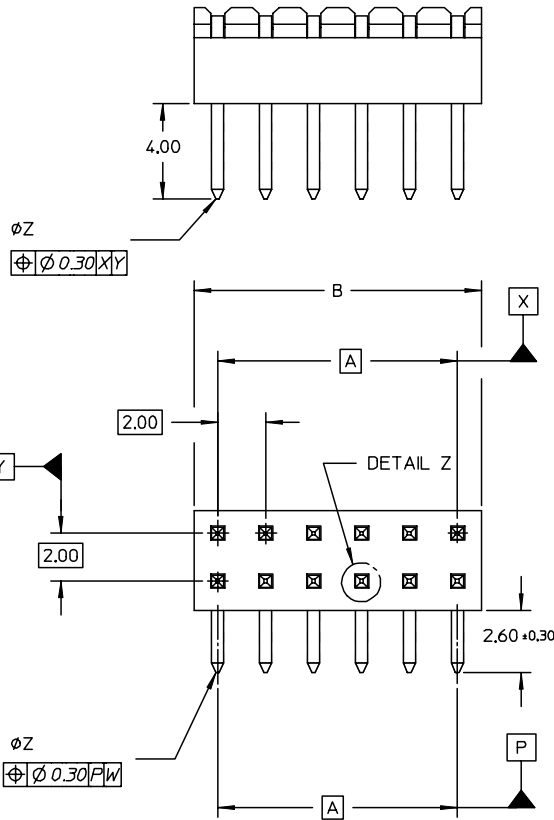
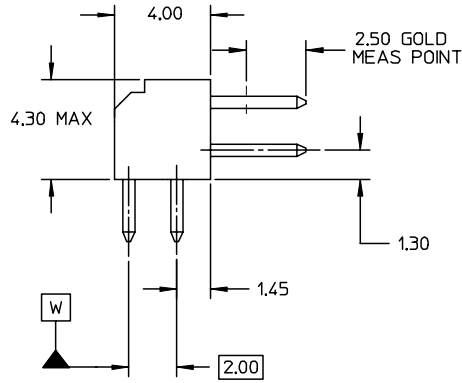


RECOMMENDED PCB LAYOUT



NOTES:

- MATERIAL:
HSG: PCT, 30% GLASS FILLED, UL 94V-0, COLOUR BLACK.
PIN: 0.50MM SQ PHOSPHOR BRONZE 510
- PLATING:
**16 - 0.38um MIN GOLD IN CONTACT AREA, TIN IN SOLDER TAIL AREA, BOTH OVER NICKEL OVERALL
**17 - 0.76um MIN GOLD IN CONTACT AREA, TIN IN SOLDER TAIL AREA, BOTH OVER NICKEL OVERALL
- 12 CKT USED FOR ILLUSTRATION ONLY
- PART TO BE PACKED IN POCKET TRAY.
- PRODUCT SPEC PS-87761-100 APPLIES.
- RECOMMENDED PCB BOARD THK 1.60 ± 0.10 MM.

LEGEND:

87760 - * * * *
CKT SIZE (SEE SHT 2) PLATING (SEE NOTE 2)

EC NO: S2004-0195 DRWN:KSEE 2003/12/15 CHKD:KCLING 2003/12/15 APPR:SKTOH 2003/12/19	QUALITY SYMBOLS ▽ = 0 ▽ = 0	GENERAL TOLERANCES (UNLESS SPECIFIED)		SCALE NTS	DESIGN UNITS METRIC	THIRD ANGLE PROJECTION	REVISE ON CAD ONLY
		mm	INCH	DIMENSION STYLE MM ONLY		TITLE	
A	DESCRIPTION	4 PLACES	± ---	± ---	DRAWN BY KSEE	DATE 2003/10/15	SALES DRAWING MGRID 2MM DUAL ROW R/A HDR.
		3 PLACES	± ---	± ---	CHECKED BY KCLING	DATE 2003/12/02	
		2 PLACES	± 0.2	± ---	APPROVED BY SKTOH	DATE 2003/12/11	MATERIAL NO. SEE TABLE DOCUMENT NO. SD-87760-109 SHEET NO. 1 OF 2
		1 PLACE	± ---	± ---	THIS DRAWING CONTAINS INFORMATION THAT IS PROPRIETARY TO MOLEX INCORPORATED AND SHOULD NOT BE USED WITHOUT WRITTEN PERMISSION		
		ANGULAR ± 1 °		DRAFT WHERE APPLICABLE		MUST REMAIN WITHIN DIMENSIONS	

PART NUMBER	CKT SIZE	A	B
87760-04**	04	2.00	4.00
87760-06**	06	4.00	6.00
87760-08**	08	6.00	8.00
87760-10**	10	8.00	10.00
87760-12**	12	10.00	12.00
87760-14**	14	12.00	14.00
87760-16**	16	14.00	16.00
87760-18**	18	16.00	18.00
87760-20**	20	18.00	20.00
87760-22**	22	20.00	22.00
87760-24**	24	22.00	24.00
87760-26**	26	24.00	26.00
87760-28**	28	26.00	28.00
87760-30**	30	28.00	30.00
87760-32**	32	30.00	32.00
87760-34**	34	32.00	34.00
87760-36**	36	34.00	36.00
87760-38**	38	36.00	38.00
87760-40**	40	38.00	40.00
87760-42**	42	40.00	42.00
87760-44**	44	42.00	44.00
87760-46**	46	44.00	46.00
87760-48**	48	46.00	48.00
87760-50**	50	48.00	50.00

EC NO: S2004-0195 DRWN:KSEE 2003/12/15 CHKD:KCLING 2003/12/15 APPR:SKTOH 2003/12/19	DESCRIPTION REV A	QUALITY SYMBOLS	GENERAL TOLERANCES (UNLESS SPECIFIED)	SCALE NTS	DESIGN UNITS METRIC	THIRD ANGLE PROJECTION	REVISE ON CAD ONLY
		▽ = 0 ∇ = 0	mm INCH 4 PLACES ± --- ± --- 3 PLACES ± --- ± --- 2 PLACES ± 0.2 ± --- 1 PLACE ± --- ± --- ANGULAR ± 1 °	DIMENSION STYLE MM ONLY		TITLE	
		DRAFT WHERE APPLICABLE MUST REMAIN WITHIN DIMENSIONS		DRAWN BY DATE KSEE 2003/10/15 CHECKED BY DATE KCLING 2003/12/02 APPROVED BY DATE SKTOH 2003/12/11	MOLEX INCORPORATED MATERIAL NO. SEE TABLE DOCUMENT NO. SD-87760-109 SHEET NO. 2 OF 2		
		THIS DRAWING CONTAINS INFORMATION THAT IS PROPRIETARY TO MOLEX INCORPORATED AND SHOULD NOT BE USED WITHOUT WRITTEN PERMISSION					