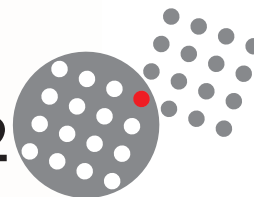


# 8STA Circular Miniature Connector Size 02

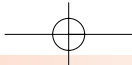


## FEATURES

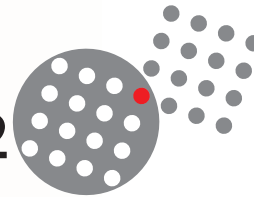
- Ultra compact design & very light weight.
- Rugged aluminium body to ensure long service time in the harsh environments.
- Positive locking mechanism with locked color indicators.
- 7 colour-coded keyway orientations (N, A, B, C, D, E, U).
- Boot termination.
- PCB option available.
- Conductive black zinc plating.

## TECHNICAL CHARACTERISTICS

Mechanical characteristics	Aluminium version	
Shell	Aluminium alloy	
Shell plating	Conductive black zinc	
Insulator	Thermoplastic	
Grommet and seal	Liquid silicone rubber	
Contact	Copper alloy	
Contact plating	Gold	
Endurance	500 mating/unmating operations	
Shock	300 g for 3 ms and MIL-S-901 Grade A	
Vibration	147 m/s <sup>2</sup> , 10 to 2000 Hz	
Contact retention	35N (size 26)	45N (size 22)
Electrical characteristics	Aluminium version	

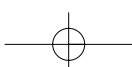
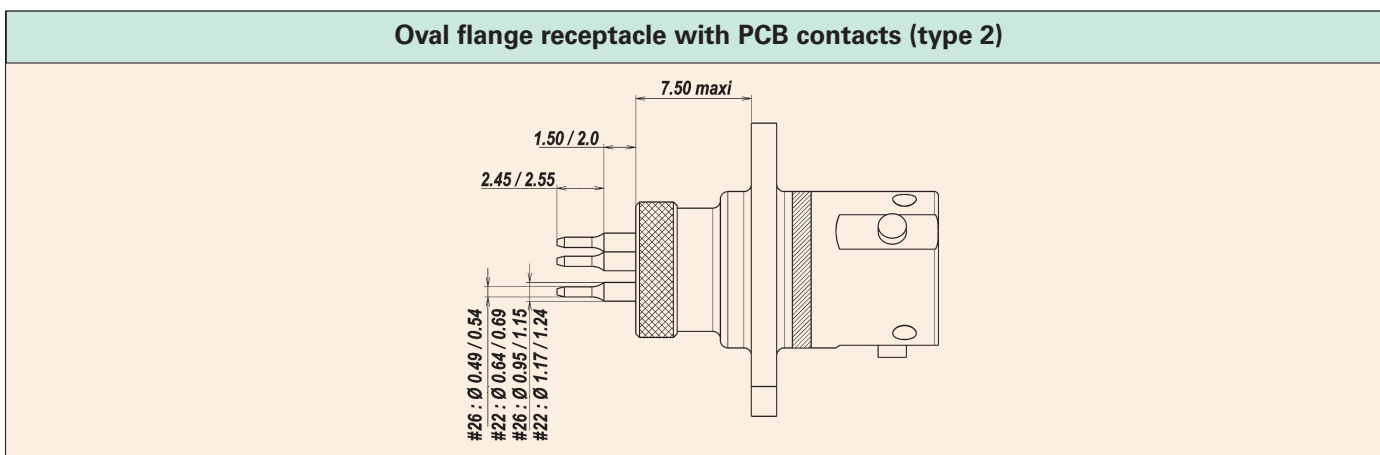
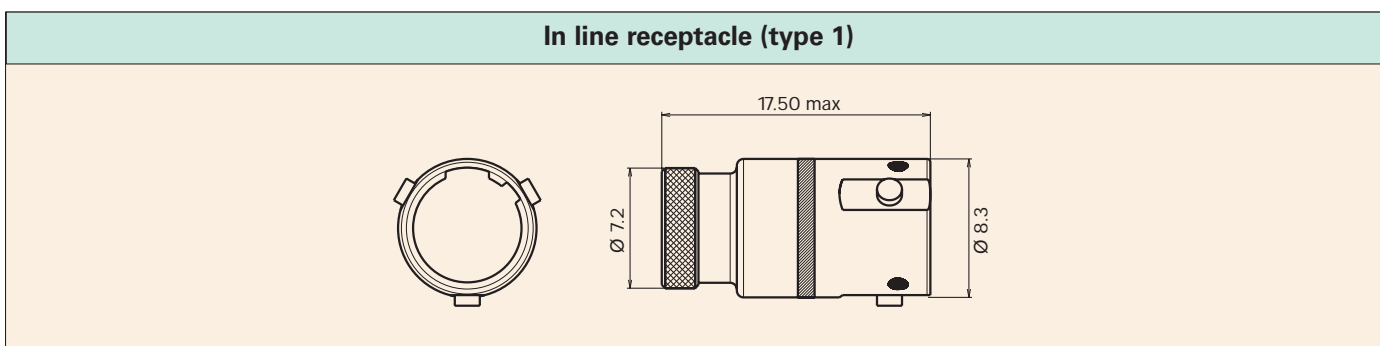
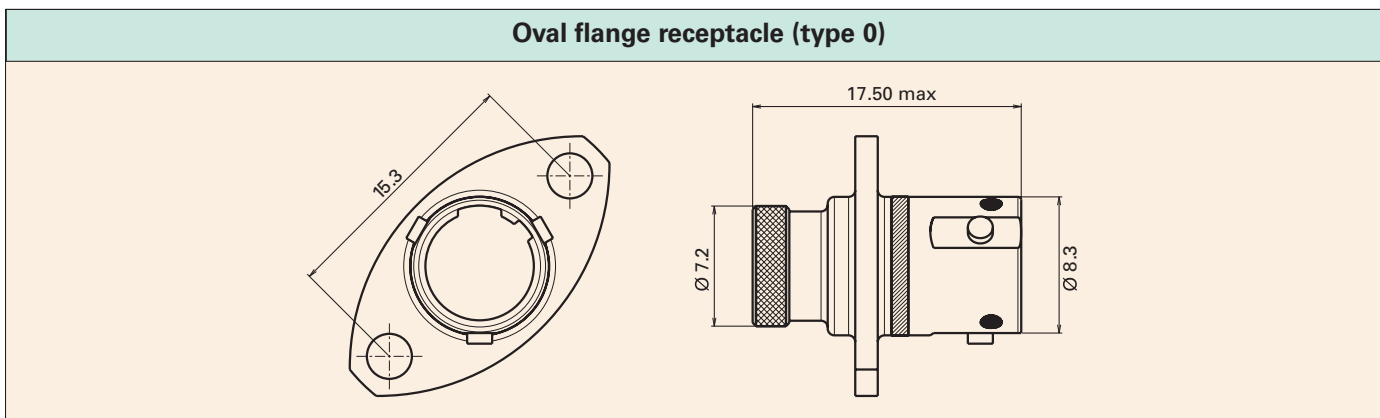


# 8STA Circular Miniature Connector Size 02

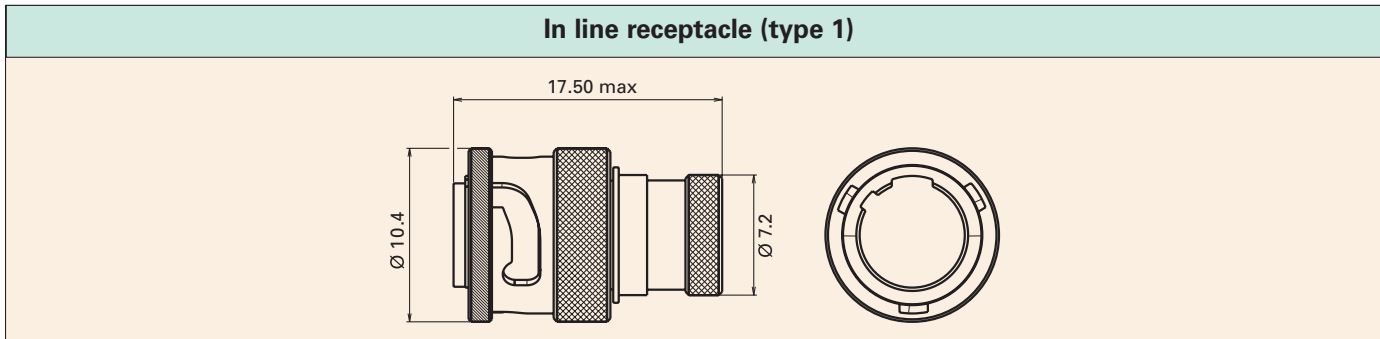
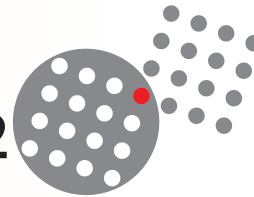


<b>Basic series:</b>	8 STA	0	02	05	P	N
<b>Shell style:</b>	0: Oval flange receptacle 1: In line receptacle 2: Oval flange receptacle with PCB contact 6: Plug					
<b>Shell size:</b>	02					
<b>Contact layouts:</b>	See table page 8					
<b>Type of contacts:</b>	P: Pin S: Socket					
<b>Orientation:</b>	N: Red – A: Yellow – B: Blue – C: Orange – D: Green – U: Universal					

**Souriau part numbers for protective caps**  
**8STA802** for plug and **8STA902** for receptacle



# 8STA Circular Miniature Connector Size 02



### Crimped contacts / PCB contacts

Contact size	Contact type	Contact dia.	Part numbers	Admissible wire section				External dia. over insulation (mm)	
				AWG		mm <sup>2</sup>		Min.	Max.
<b>Crimp contact</b>				Min.	Max.	Min.	Max.	Min.	Max.
22D	Male	0.76	8599 0702-JJ	28	22	0.095	0.38	0.76	1.37
	Female		8599 0710-900						
26	Male	0.50	8599 1001-JL	30	24	0.095	0.24	0.60	0.83
	Female		8599 1002-900						
<b>PCB contact</b>									
22D	Male	0.76	8599 1031-JJ						
	Female		8599 1032-900						
26	Male	0.50	8599 1004-JL						
	Female		8599 1005-900						

### Crimping tools

Contact size	Wire sizes	Contact type	Locator part number	Tool part number
	AWG			
22D	22 to 28	Male	8476 09	M22520/2-01
		Female	8476 06	
26	24 to 30	Male	640 088	
		Female	640 089	

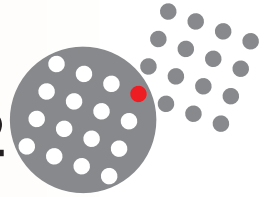
### Insertion and extraction of wired contacts

Contact size	Part number
22D	M81969/14-01 (Plastic)
26	8599-1006 (Metallic)

### Panel cut out

<b>Ø A±0.10</b>	9.30
<b>B±0.20</b>	15.30
<b>C±0.20</b>	3.10

# 8STA Circular Miniature Connector Size 02



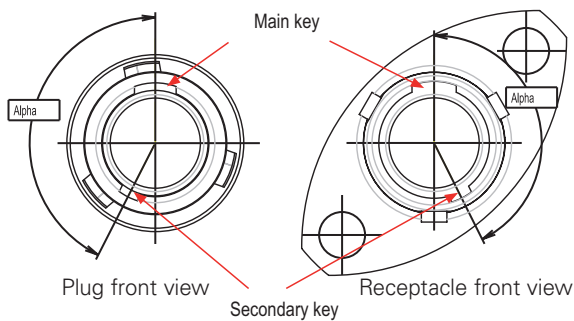
## Shrinkable termination detail

Shell size	Ø A	Ø B ± 0.05	C ± 0.05	D ± 0.05
02	7.2	6.55	2.2	2.3

Heatsrink boots available, please consult us.

## Orientations

Key position	Alpha	Colour band
N	153°	Red
A	51°	Yellow
B	102°	Blue
C	204°	Orange
D	255°	Green
E	306°	Grey

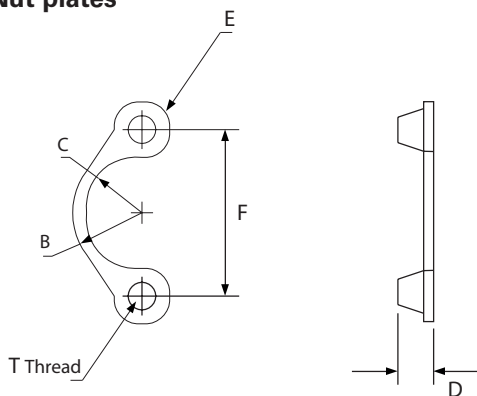


Main key remains fixed.  
 8STA 02-05 and 8STA 02-35 have the same orientations.  
 Keyways width dimensions are different to avoid wrong mating in blind conditions.

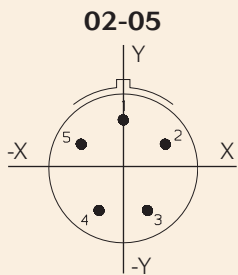
## Filter plug

Contact size	Part number	Colour
22D	8599-1027	Black
26		

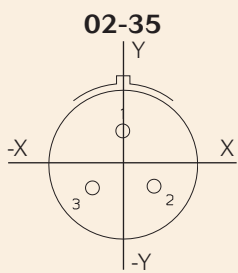
## Nut plates



## Dimensions relate to the front pin face view



Contact	X (mm)	Y (mm)
1	0.00	1.45
2	1.38	0.45
3	0.85	-1.18
4	-0.85	-1.18
5	-1.38	0.45



Contact	X (mm)	Y (mm)
1	0.00	1.45
2	1.38	0.45
3	0.85	-1.18

Part Number	Shell size	B mac	C max	D max	E (rad) max	F ± 0.8	T thread Class 6H
8STA-02 M2.5	2	5.70	3.75	2.03/3.55	2.92	15.3	M 2.5 x .45
8STA-02	2	6.76	4.72	2.03/3.05	2.92	15.3	m 2 x .4