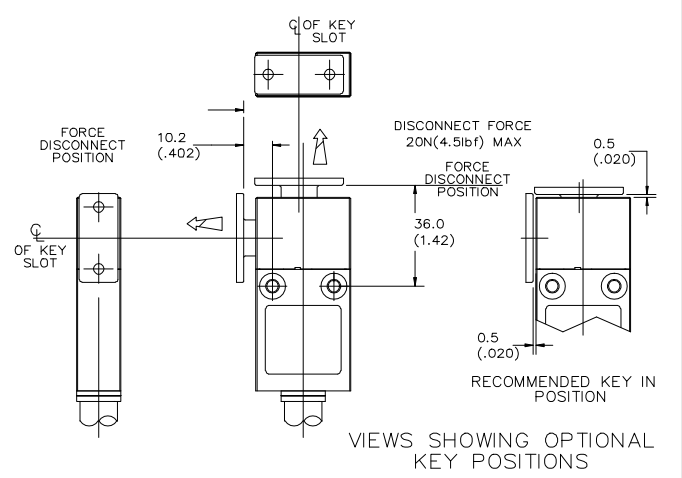
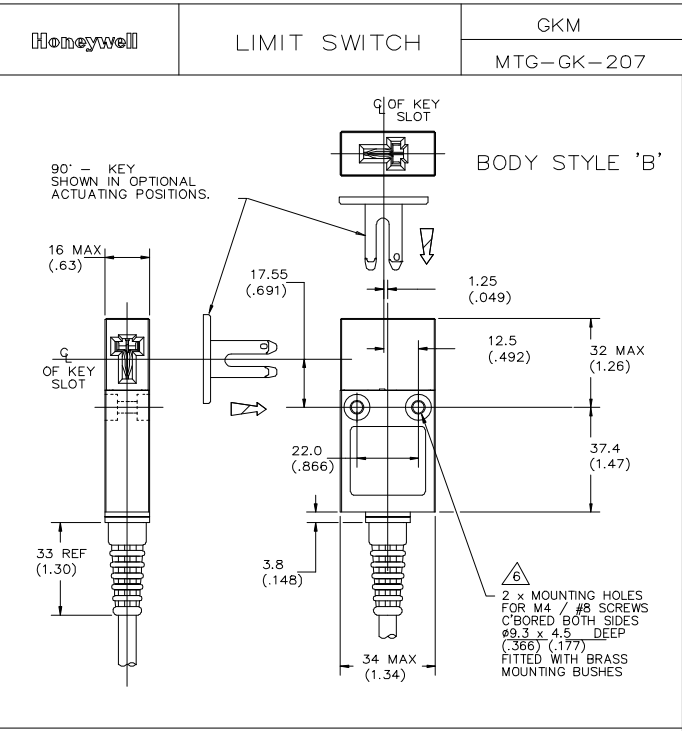


MTC-GK-207
 DRAWING NUMBER
 16
 ISSUE
 RELEASE NO. A020-12 REPLACES

REVISIONS
 2 PR*5
 1 WEIR
 3 CO*23
 J. BOYD
 4 CO*351
 J. BOYD
 5 DR*204
 I. WEIR
 6 CO*998
 I. WEIR
 7 CO*1197
 J. BOYD
 8 CO*1629
 J. BOYD
 9 PR*1336
 M. LOCH
 10 CO*2651
 M. LOCH
 11 0015193
 KRB
 12 0027801
 M. LOCH
 13 0039389
 KRB
 14 0047695
 M. LOCH
 15 0071000
 M. LOCH
 16 0290110
 M. LOCH
 17 0083551
 M. LOCH
 18 0400117

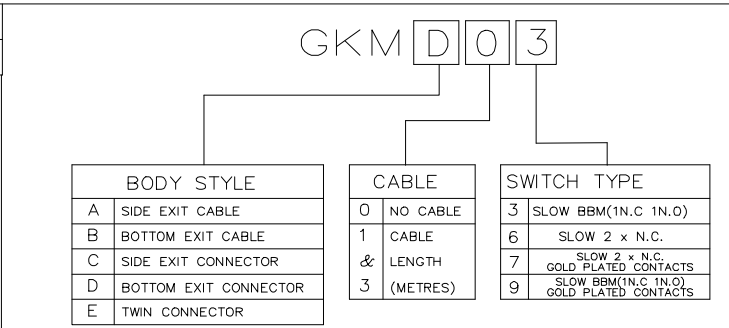
DO NOT SCALE PRINT
 CHECK J. BOYD
 DESIGN J. BOYD
 AUTHORITY P. TRACKETT
 11/96
 11/96
 11/96
 M. LOCH
 J. BOYD
 P. TRACKETT
 M. LOCH
 J. BOYD
 P. TRACKETT



ELECTRICAL RATINGS FOR BODY STYLE A, B, C, D				ELECTRICAL RATINGS FOR BODY STYLE "E"		ENVIRONMENTAL	APPROVALS
STANDARD Ag CONTACTS		Au PLATE CONTACTS		STANDARD Ag CONTACTS	Au PLATED CONTACTS	IP67 NEMA 1,2,13 TEMP RANGE: -25°C TO 85°C -13°F TO 185°F STORAGE: -40°C TO 85°C -40°F TO 185°F SHOCK: 50G PER EC 68-2-27 VIBRATION: 10G PER EC 68-2-6	 EN60947-5-1
AC	DC	AC	DC	STANDARD Ag CONTACTS	Au PLATED CONTACTS		
B300	AC15	Q300	DC13	1 _{th} = 5A 1 _{th} = 2A	1 _{th} = 5A 1 _{th} = 2A	110°C, 10uA MIN 30VDC, 100uA MAX 1 _{th} = 2A	 EN60947-5-1
120	3	125	0.55	1V, 10uA MIN.	50V 100mA MAX.		
240	1.5	250	0.27				
1 _{th} = 5A		U _i = 500V U _{imp} = 2.5KV					

THE COPYRIGHT OF THIS DRAWING IS THE PROPERTY OF HONEYWELL LTD. THE DRAWING IS SUPPLIED IN CONFIDENCE AND MUST NOT BE USED FOR ANY PURPOSE OTHER THAN THAT FOR WHICH IT IS SUPPLIED.

THIRD ANGLE PROJECTION
 SCALE -
 DIMENSIONS ARE IN MM/INCHES.



NOTES: -

- RED GLASS FILLED POLYESTER BODY, BLACK GLASS FILLED POLYAMIDE COVER AND STAINLESS STEEL KEY.
- ENCLOSURE DOUBLE INSULATED TO IEC 536 CLASS II.
- CABLE IS UL STYLE 2464, 105°C, 300V. CORES HAVE 105°C RATED PVC OVER 20 AWG (16/0.2MM) BARE COPPER. OUTER SHEATH IS ALSO 105°C RATED PVC AND HAS FINAL O.D. = 6.33±0.2MM.
- STANDARD CONNECTOR TYPE: BRAD-HARRISON 4 PIN MICROCHANGE, DC STYLE, MALE TYPE, WITH EXTERNAL INTERLOCK THREAD (M12). CONNECTORS HAVE BLACK GLASS FILLED POLYESTER BODY.
- MINIMUM OPERATING VELOCITY (Vmin) = 2.0 mm/s (0.08"/s)
MAXIMUM OPERATING VELOCITY (Vmax) = 200 mm/s (8"/s)
MAXIMUM OPERATING FREQUENCY (Fmax) = 2 Hz (120 ops/min)
- RECOMMENDED TIGHTENING TORQUE FOR MOUNTING SCREWS = 1 - 1.4 Nm (9 - 12 in.lbs)
- NEW LISTINGS WILL NOT INCLUDE ACTUATOR KEYS WHICH WILL BE SOLD SEPARATELY e.g. GKM03W1 BECOMES GKM03 + GK251M. GK251M = STRAIGHT KEY, GK252M = 90° KEY. STANDARD CABLE LENGTHS WILL NOW BE 1 & 3 METRES ONLY.
- FOR KEYWAY POSITION REFERENCE BODY STYLE "E"
- FOR MINIMUM DOOR RADIUS: SEE FIGURE "A"

