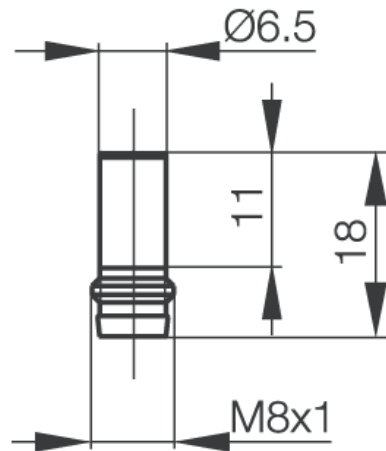


CH0174a



Electrical data:

Connection	connector
Rated operational voltage (Ue)	24 DC V
Load current capacity (Ie)	150 mA
Time delay before availability	20 ms
Electrical type	DC
Utilization category	DC 13
Hysteresis max (H)	15 %
Load capacitance max	0,2 µF
No-load supply current damped	9 mA
No-load supply current undamped	3 mA
Off-state current max (Ir)	10 µA
Ripple max. of Ue	10 %
Switching output	PNP
Switching element function	NO
Operating frequency (f)	3000 Hz
Voltage drop max. static	2,5 V
Supply voltage max. (Ub)	30 V
Supply voltage min. (Ub)	10 V

Mechanical data:

Number of Wires	3-wire
Rated operating distance (sn)	1,5 mm
Diameter	6,5 mm
Assured operating distance	0...1,2 mm
Mounting	flush mountable
Ambient temperature max	+70 °C
Ambient temperature min	-25 °C
Degree of pollution	3
Sensing face material	POM
Housing material	corrosion resistance Steel
Repeat accuracy max. (R)	= 5 %

General data:

Short circuit protected	yes
Brand	SuperShorties
Degree of protection IP	IP67
Protected against polarity reversal	yes
Approval	CE,c_ul_us

wiring



Pinout

