

Customer Information Sheet

DRAWING No.: S1751FXX

SHEET 2 OF 2

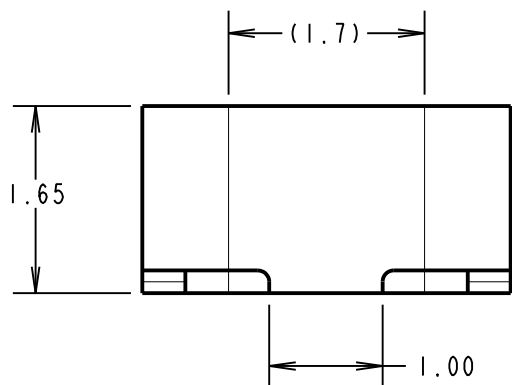
IF IN DOUBT - ASK

©

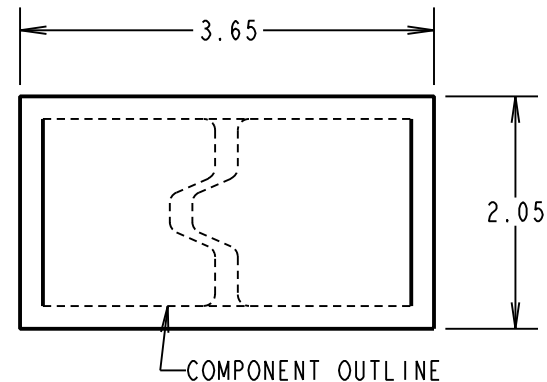
NOT TO SCALE

THIRD ANGLE PROJECTION

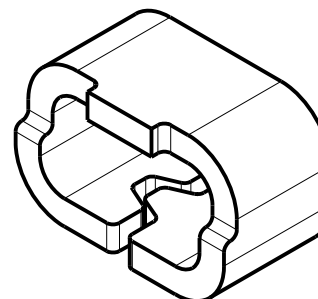
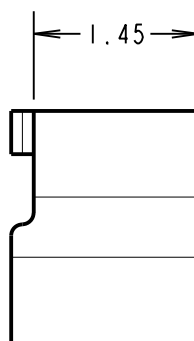
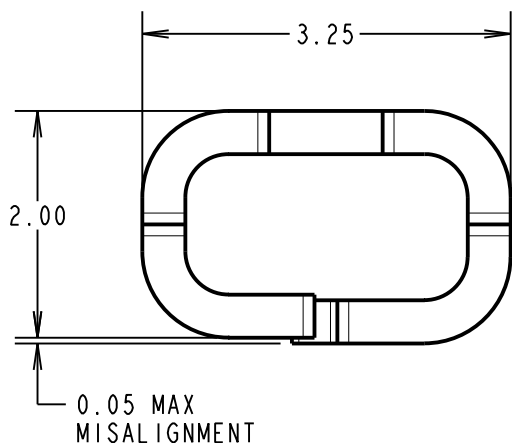
ALL DIMENSIONS IN mm



NOTES:
1. PACKING: 100 PER BAG.



RECOMMENDED PAD LAYOUT



HARWIN PART No.	FARNELL PART No.	FINISH
S1751F06	486-1462	4 μ 90/10 TIN/LEAD
S1751F46	102-2338	4 μ 100% TIN

SB	3	14.07.11	11375
NAME	ISS.	DATE	C/NOTE
APPROVED:		S. BENNETT	
CHECKED:		M.G. PLESTED	
DRAWN:		J. ENRIGHT	
CUSTOMER REF.:			
ASSEMBLY DRG:			

HARWIN

HARWIN USA TEL: 603 893 5376 FAX: 603 893 5396 mis@harwin.com	HARWIN Europe (UK) TEL: 023 9231 4545 FAX: 023 9231 4590 mis@harwin.co.uk	HARWIN Asia TEL: +65 6 779 4909 FAX: +65 6 779 3868 mis@harwin.com.sg
--	--	--

THIS DRAWING AND ANY INFORMATION OR DESCRIPTIVE MATTER SET OUT HEREON ARE CONFIDENTIAL AND COPYRIGHT PROPERTY OF THE HARWIN GROUP AND MUST NOT BE DISCLOSED, LOANED, COPIED OR USED FOR MANUFACTURING, TENDERING OR FOR ANY OTHER PURPOSE WITHOUT THEIR WRITTEN PERMISSION.

TOLERANCES
X. = ± 1 mm
X.X = ± 0.25 mm
X.XX = ± 0.10 mm
X.XXX = ± 0.01 mm
ANGLES = $\pm 5^\circ$
UNLESS STATED

MATERIAL:
BRASS CW505L TO BS EN 1652 (CuZn30) [BRM1618]
FINISH: SEE TABLE
S/AREA: mm²

TITLE:
SURFACE MOUNT TEST TERMINAL (LOOSE)
DRAWING NUMBER:
S1751FXX
SHT 2 OF 2