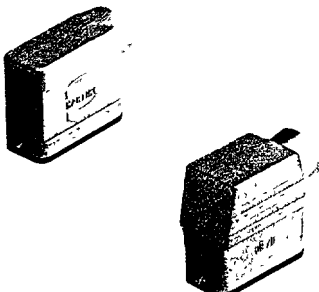
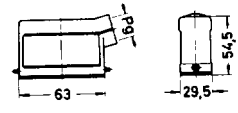
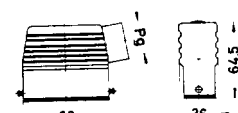
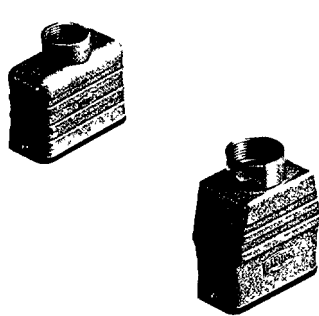
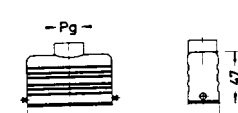
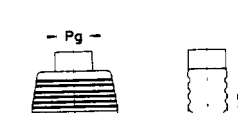
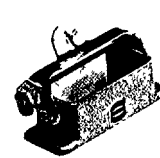
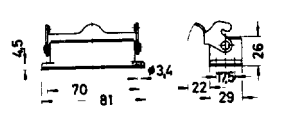
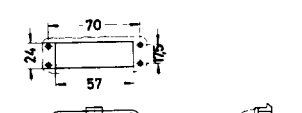
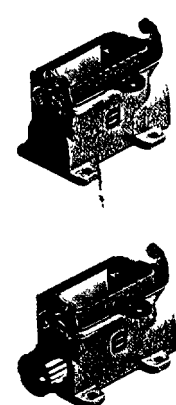
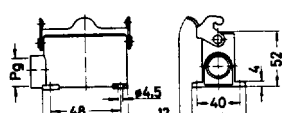
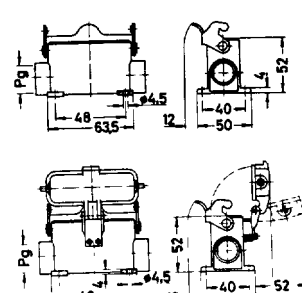


Standard Hoods/Housings with 1 lever on the housing



462-573 / 585 / 597

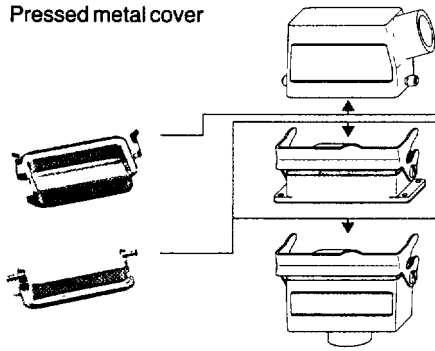
Han 15 D

Identification	Part No.		Pg	Drawing	Dimensions in mm
	Low construction	High construction			
Hoods side-entry		09 20 010 1541	16		63, 29,5, 54,5
		09 20 010 0540 09 20 010 0541	16 21		63, 36, 64,5
Hoods top-entry		09 20 010 1440	16		63, 29,5, 47
		09 20 010 0440 09 20 010 0441	16 21		63, 36, 64,5
Housings bulkhead mounting		09 20 010 0301			70, 81, 4,5, 3,4, 22, 29, 26
		with lockable cover 09 20 010 0318 *			70, 74, 57, 10,5
Housings surface mounting		1 side-entry 09 20 010 0251 09 20 010 0252			48, 63,5, 12, 4,5, 40, 50, 52
		2 side-entry 09 20 010 0291 with lockable cover 09 20 010 2297 *			48, 63,5, 12, 4,5, 40, 50, 52, 21

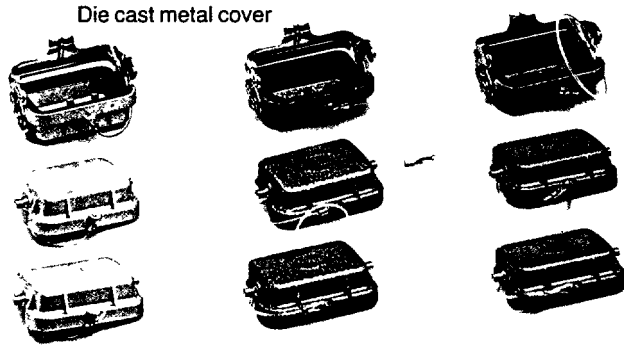
Covers for use with 1 lever on the housing



Pressed metal cover



Die cast metal cover



Identification	Standard	Part No.			for Pg	for series				Staf
		Han M	Han U	Han DD		Han D	Han E ES X	Han A		
Pressed metal cover for hoods	09 30 006 5401					24		6		
Pressed metal cover for housings and hoods (cable to cable)	09 20 003 5401						7		3	6
	09 20 010 5402						15		10	14
	09 20 016 5403						25		16	20
	09 30 006 5404					24		6		
Die cast metal cover for hoods	09 20 003 5422 ¹⁾	09 37 003 5402 ¹⁾	09 36 003 5402 ¹⁾				7		3	6
	09 20 003 5421 ²⁾	09 37 003 5401 ²⁾	09 36 003 5401 ²⁾							
	09 20 010 5423						15		10	14
	09 20 010 5422									
	09 20 016 5423						25		16	20
	09 20 016 5422									
Die cast metal cover for housings	09 30 006 5423	09 37 006 5403				24		6		
	09 20 003 5426 ¹⁾	09 37 003 5406 ¹⁾	09 36 003 5406 ¹⁾				7		3	6
	09 20 003 5425 ²⁾	09 37 003 5405 ²⁾	09 36 003 5405 ²⁾							
	09 20 010 5425		09 36 015 5405				15		10	14
	09 20 016 5425						25		16	20
Die cast metal cover for hoods (cable to cable)	09 30 006 5425	09 37 006 5405				24		6		
	09 20 003 5428 ¹⁾	09 37 003 5408 ¹⁾	09 36 003 5408 ¹⁾				7		3	6
	09 20 003 5427 ²⁾	09 37 003 5407 ²⁾	09 36 003 5407 ²⁾							
	09 30 006 5427	09 37 006 5407				24		6		

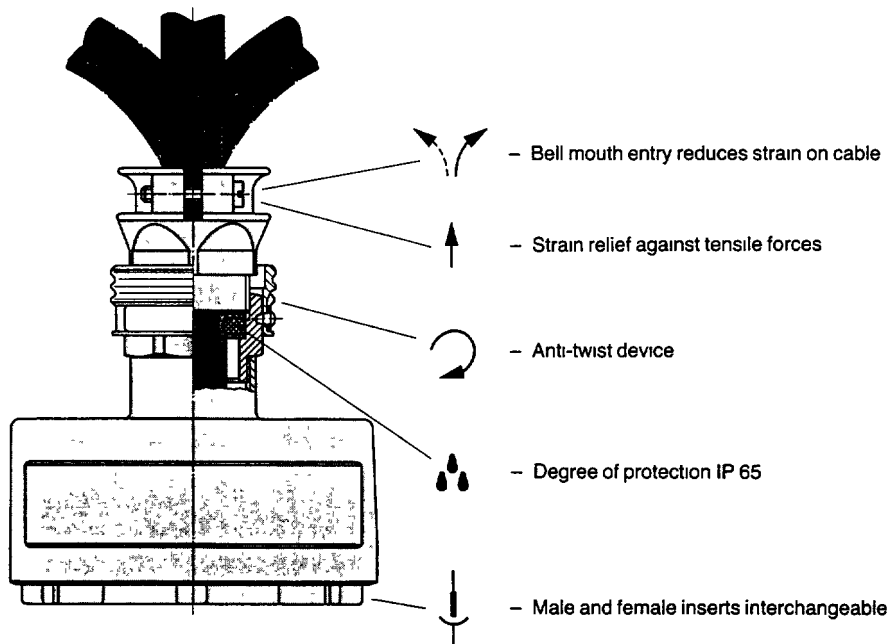
¹⁾ for hoods and housings with mounted male connector

²⁾ for hoods and housings with mounted female connector

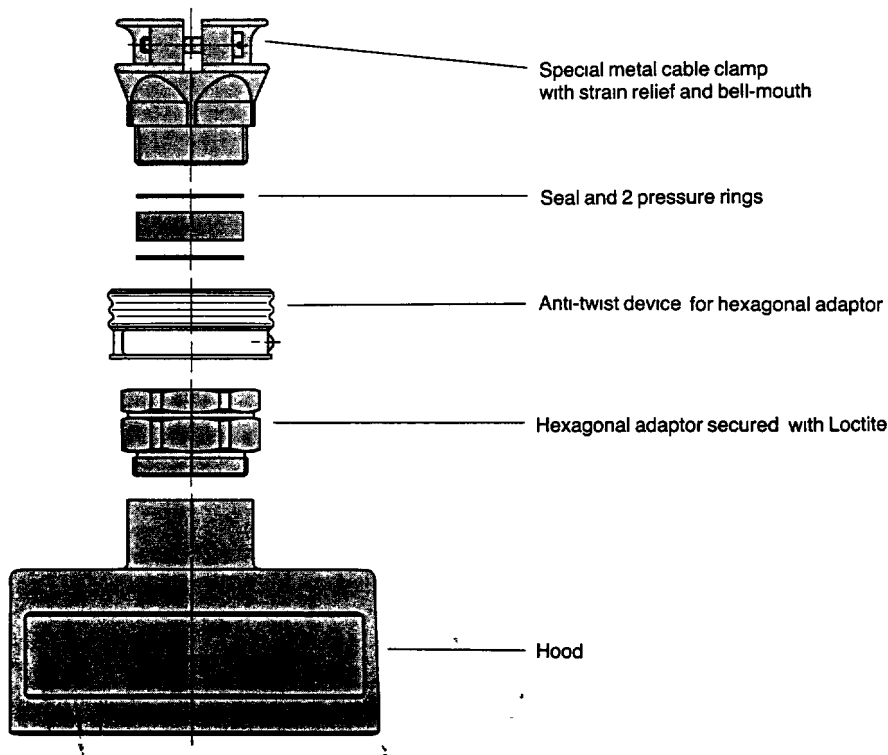
Cable entry protection



Special cable clamp with anti-twist device



Assembly details for hoods with special cable clamp and anti-twist device



Assembly instructions

- The special cable clamp, pressure rings and seal must first be slid onto the prepared cable.
- The anti-twist device can be fitted to the hood or the hexagonal adaptor as shown, ensuring that it is in its inoperative position.
- The insert may now be wired and fixed in the hood.
- Slide the seal and pressure rings into position.
- Screw in the special cable clamp until cable entry is sealed ensuring that the upper and lower hexagonal sections are in alignment
- Move the anti-twist device towards the special cable clamp until the sprung securing pin is in the locked position (see assembled connector drawing above).
- Tighten the strain relief clamp