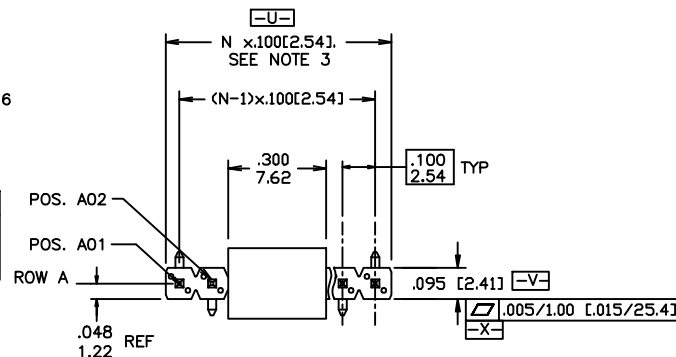


PRODUCT NUMBER
54201 - X XX - XX - XXX

PLATING
S=15μ"/0.38μm GOLD ON CONTACT AREA (NOTE 13) 100u"/2.54μm TIN ON TAIL
G=30μ"/0.76μm GOLD ON CONTACT AREA (NOTE 13) 100u"/2.54μm TIN ON TAIL
T=100μ"/2.54μm TIN ON CONTACT AREA & ON TAIL (SEE NOTE 8 & 12)
F=2μ"/0.05μm] GOLD ON CONTACT AREA & ON TAIL

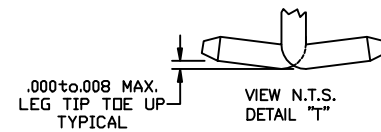
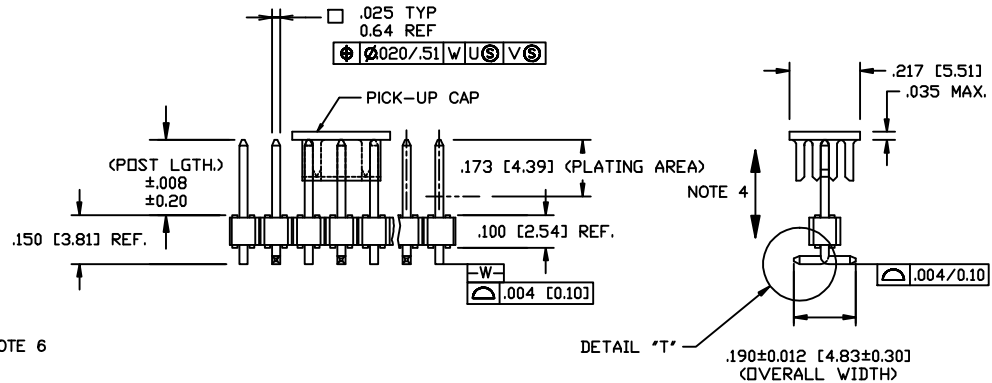
LEAD STYLE	POST LGTH.
08	0.230/5.84
30	0.318/8.08



LEAD FREE PRODUCT NUMBER
54201 - X XX XX - XXX LF

PLATING
S=15μ"/0.38μm GOLD ON CONTACT AREA (NOTE 13) 100u"/2.54μm TIN ON TAIL
G=30μ"/0.76μm GOLD ON CONTACT AREA (NOTE 13) 100u"/2.54μm TIN ON TAIL
T=100μ"/2.54μm TIN ON CONTACT AREA & ON TAIL (SEE NOTE 8 & 12)
F=2μ"/0.05μm] GOLD ON CONTACT AREA & ON TAIL

LEAD STYLE	POST LGTH.
08	0.230/5.84
30	0.318/8.08



mat'l. code SEE NOTES 1 & 2		surface ISO 902	tolerance ISO 406 ISO 7001	projection ISO 1001	product family BERGSTIK
ltr	ecn no	dr	date	tolerances unless otherwise specified	title
J	M06-0258	MHT	7/17/06	angles XXX±.01/XXX±.03	.100 UNSHROUDED HDR. S/R VERT. SURF. MNT.
K	M06-0435	MHT	10/31/06	linear XXX±.005/XXX±0.13	
L	M07-0192	MHT	4/18/07	0'±2'	scale 1:1
M	M08-0129	MHT	4/30/08	dr	D.INGRAM 05/11/99
N	M08-0165	MHT	6/06/08	engr	H.SUNDY 07/21/99
P	M08-0237	MHT	8/25/08	chr	H.SUNDY 07/21/99
R	M08-0279	MHT	9/30/08	appd	H.SUNDY 07/21/99
sheet	revision	R	R	R	FCJ
index	sheet	1	2	3	

dwg no 54201 sheet 1 of 3 size A3

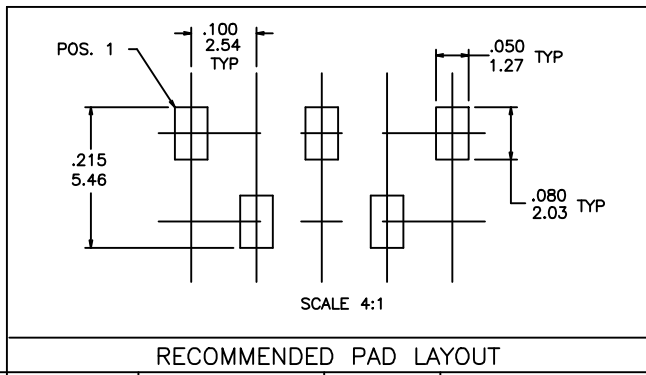
type Product Customer Drawing

TAPE AND REEL PACKAGING

SIZE	LEAD STYLE 08 POST (0.230 [5.84])	LEAD STYLE 30 POST (0.318 [8.08])
1X2	YES	NONE
1X3	↑	↑
1X4		
1X5		
1X6		
1X7		
1X8		
1X9		
1X10		
1X11		
1X12		
1X13		
1X14		
1X15		
1X16	↓	
1X17	YES	
1X18	NONE	
1X19	NONE	
1X20	NONE	NONE

NOTES:

- HOUSING MAT'L: HIGH TEMPERATURE THERMOPLASTIC. UL94V-0
COLOR: BLACK
OR
MINERAL FILLED LCP FLAME RETARDENT
PER UL-94V-0. COLOR: BLACK.
- PIN MATERIAL: PHOSPHOR-BRONZE
- TO DETERMINE DIMENSIONS:
N = NUMBER OF POSITIONS PER ROW.
EXAMPLE: 10 POS., N x .100/2.54=1.00/25.4
- 2LBS/0.9KG MIN. PIN RETENTION IN EITHER DIRECTION.
- PACKAGING: - = POLY BAGS
P = TUBES WITH PICKUP CAPS.
A = TAPE AND REEL WITH PICKUP CAPS.
- FOR POLARIZATION, SPECIFY POSITION NUMBER (i.e. A03=ROW A POS. 3)
TO OMIT PIN. IF THIS FEATURE IS NOT APPLICABLE, OMIT FROM PROD. NO..
PRODUCT MANAGEMENT APPROVAL IS REQUIRED PRIOR TO THE
RELEASE OR SALE OF POLARIZED PRODUCTS.
- UNDERPLATING: 50µ"/1.27µm Ni.
- PIN TIPS ON Sn PLATED PRODUCT MAY HAVE BARE METAL ON TOW SIDES,
BOTH ENDS.
- PART NUMBERS WITH "LF" AT THE END ARE LEAD FREE.
- THIS PRODUCT MEETS EUROPEAN UNION DIRECTIVES AND OTHER
COUNTRY REGULATION AS DESCRIBED IN GS-22-008.
- THE HOUSING WILL WITHSTAND EXPOSURE TO 260°C PEAK TEMPERATURE
FOR 20 SECONDS IN A CONVECTION, INFRA-RED OR VAPOR PHASE REFLOW
OVEN. SEE APPLICATION NOTES/PROCEDURES IF THEY ARE AVAILABLE.
- "THIS PRODUCT HAS 100% PURE TIN PLATING IN THE INTERFACE AND
HAS NOT BEEN TESTED FOR WHISKER GROWTH IN ALL INTERCONNECT
ENVIRONMENTS."
- PLATING OPTIONS:
MAY BE EITHER GOLD OR GXT PLATED AT MANUFACTURER'S OPTION.

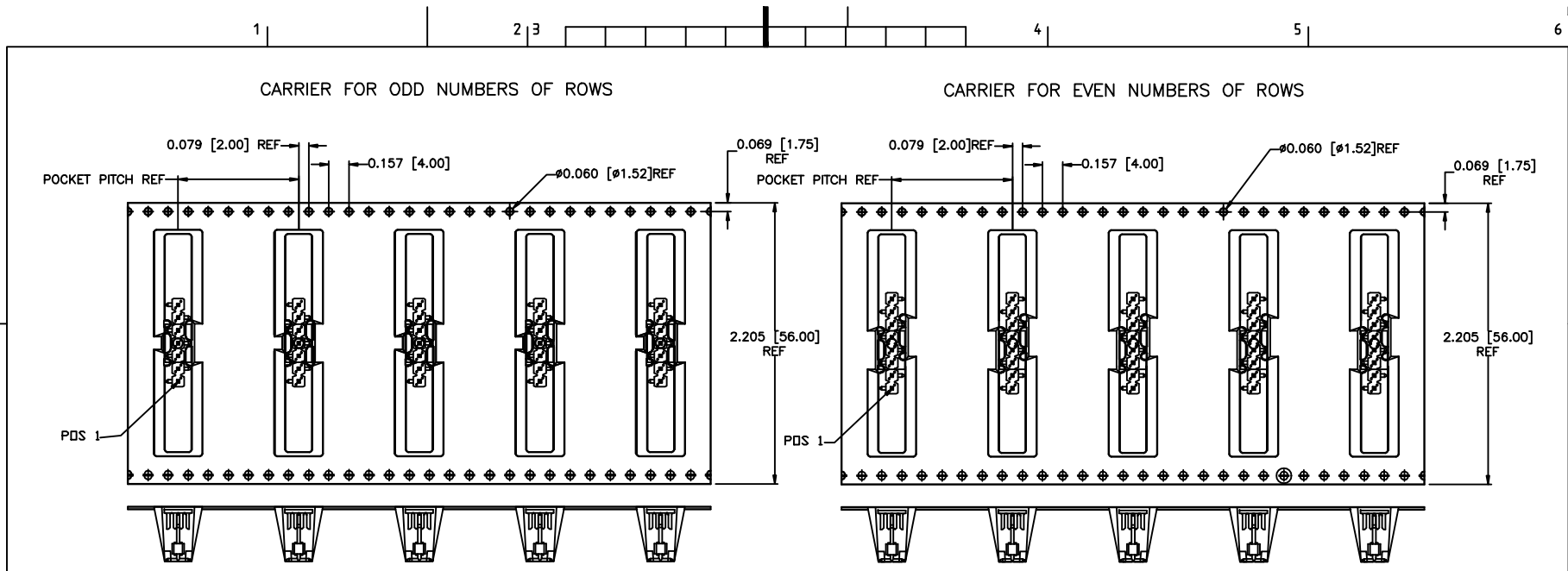


mat'l. code		surface ISO 1902	tolerance ISO 406 ISO 7001	projection	product family BERGSTIK
ltr	ecn no	dr	date	title .100 UNSHROUDED HDR. S/R VERT. SURF. MNT.	
R				INCH/MM	scale 1:1
				dwg no 54201	
				sheet 2 of 3 size A3	
				type Product Customer Drawing	
sheet index	revision sheet				



Copyright FCJ

form A3



UN-REELING DIRECTION OF FEED

UN-REELING DIRECTION OF FEED



Copyright FCJ

mat'l. code		surface ISO 1302		tolerance ISO 406 ISO 2101		projection 		product family BERGSTIK		
ltr	ecn no	dr	date	tolerances unless otherwise specified		INCH/MM		title .100 UNSHROUDED HDR. S/R VERT. SURF. MNT.		
R				angles	linear	scale 1:1		dwg no 54201		
				0° ± 2'	XXX±.01/XXX±.03 XXX±.005/XXX±0.13 XXX±.0020/XXX±0.05			sheet 3 of 3 size A3		
				dr	D.INGRAM	05/11/99			type Product Customer Drawing	
				engr	H.SUNDY	07/21/99				
				chr	H.SUNDY	07/21/99				
				appd	H.SUNDY	07/21/99				
sheet	revision									
index	sheet									

1 | 2 | 3 | 4 | 5 | 6