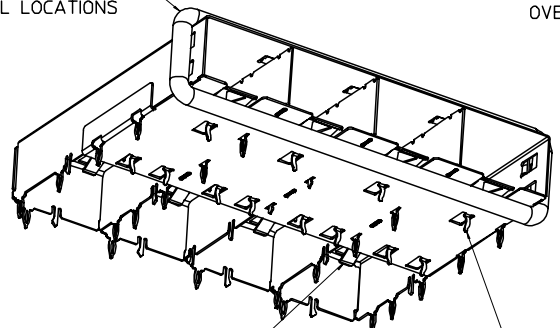


- NOTES:
1. PRESS FIT LEGS .120" LONG-  
0.062 [1.57] MINIMUM PCB THICKNESS FOR SINGLE SIDED USE.  
0.118 [3.00] MINIMUM PCB THICKNESS FOR BELLY TO BELLY USE.
  2. MATERIAL: COPPER ALLOY  
PLATING: NONE

NOTE: A NICKEL PLATED VERSION OF THIS ASSEMBLY IS AVAILABLE.  
REFER TO DOCUMENT SD-74728-420.

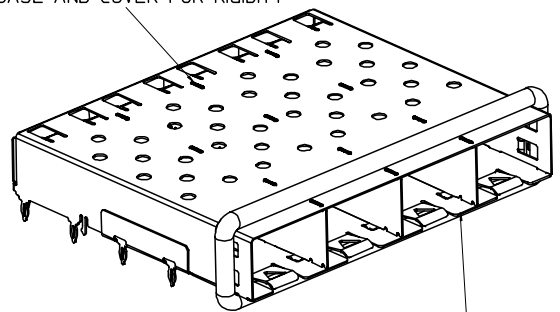
3. REFERENCE DOCUMENTS:  
PRODUCT SPECIFICATION: PS-74728-000  
COSMETIC SPECIFICATIONS: WI-HP-7-2774 AND WI-HPA-7-0093  
TEST SUMMARY: TS-74728-0415
4. THIS PART MEETS THE RESTRICTION OF HAZARDOUS SUBSTANCES IN ELECTRICAL AND ELECTRONIC EQUIPMENT (ROHS) DIRECTIVE (2002/95/EC).

360° ELASTOMER GASKET  
COMPLIES WITH (SFP) MSA  
BOARD AND BEZEL LOCATIONS

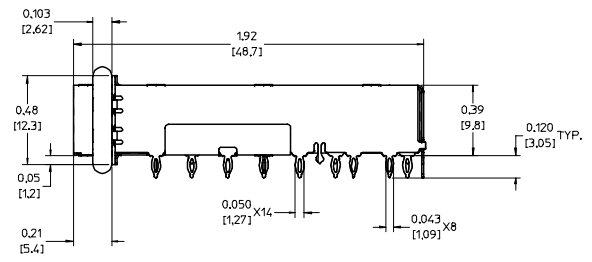


EMI FINGERS  
CONTACT ADAPTER  
12 UNDER BELLY EMI PINS

INNER WALL TABS ARE COINED  
OVER BASE AND COVER FOR RIGIDITY



DIMENSIONS OF EACH INNER CAGE DESIGNED  
TO FUNCTION WITH SMALL FORM-FACTOR  
PLUGGABLE (SFP) TRANSCEIVER

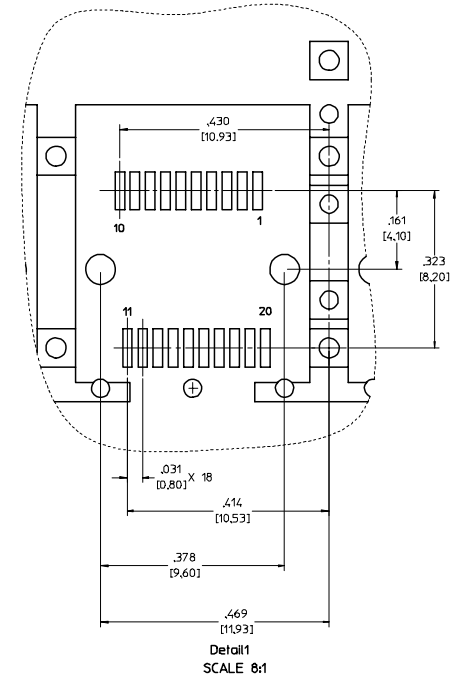
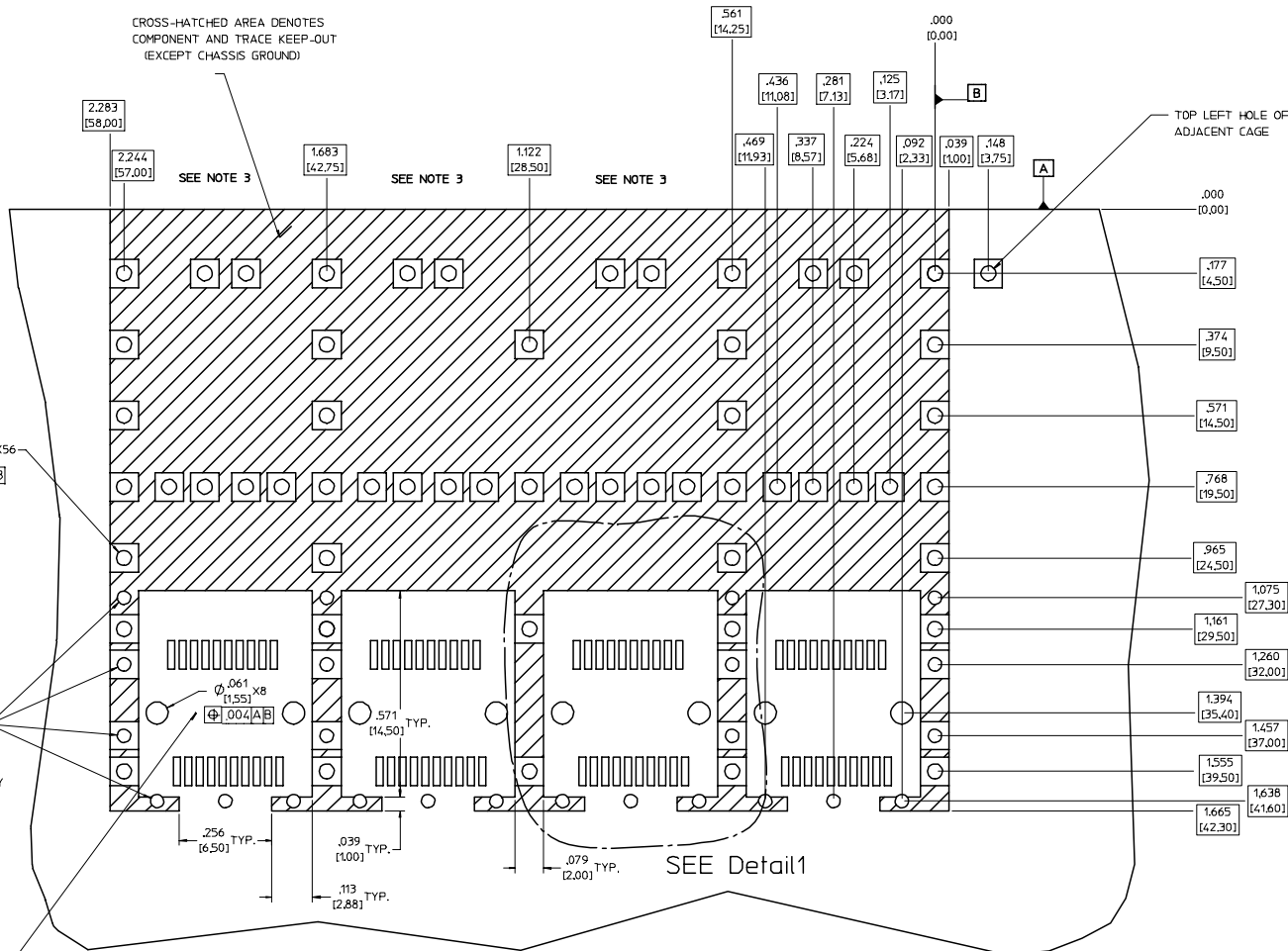


ENTER DESCRIPTION EC NO: USY2006-0079 DRAWN BY: JORWANKS IMONSON 2006/01/17 CHECKED BY: CHFKBRUSSELL 2006/01/28 APPR: BRUSSELL 2006/01/25	QUALITY SYMBOLS	GENERAL TOLERANCES (UNLESS SPECIFIED)	DIMENSION STYLE	SCALE	DESIGN UNITS	THIRD ANGLE PROJECTION
	▽=0 ▽=0	mm INCH 4 PLACES ± --- ± --- 3 PLACES ± --- ± .005 2 PLACES ± 0.13 ± .01 1 PLACE ± 0.25 ± --- ANGULAR ± 1 °	IN/MM DRAWN BY: KS IMONSON 2004/03/22 CHECKED BY: BRUSSELL 2004/03/22 APPROVED BY: BRUSSELL 2004/03/22	3:1	METRIC	TITLE: 1X4 SFP GANGED CAGE ASSEMBLY W/ ELASTOMER GASKET, PRESS FIT MOLEX INCORPORATED
	DRAFT WHERE APPLICABLE MUST REMAIN WITHIN DIMENSIONS	MATERIAL NO. 739270411	DOCUMENT NO. SD-73927-411	SHEET NO. 1 OF 5		
	SIZE D	THIS DRAWING CONTAINS INFORMATION THAT IS PROPRIETARY TO MOLEX INCORPORATED AND SHOULD NOT BE USED WITHOUT WRITTEN PERMISSION				

# PCB LAYOUT FOR BELLY TO BELLY MOUNTING

CROSS-HATCHED AREA DENOTES  
COMPONENT AND TRACE KEEP-OUT  
(EXCEPT CHASSIS GROUND)

## HOST CONNECTOR DETAIL



Detail 1  
SCALE 8:1

$\varnothing .041 \pm .002$  x56  
 $[1.05 \pm 0.05]$   
 $\varnothing .004 [A/B]$

$\varnothing .037 \pm .002$  x24  
 $[0.95 \pm 0.05]$   
 $\varnothing .004 [A/B]$   
SMALLER HOLE ON  
THESE FOUR ROWS ONLY

SEE Detail 1

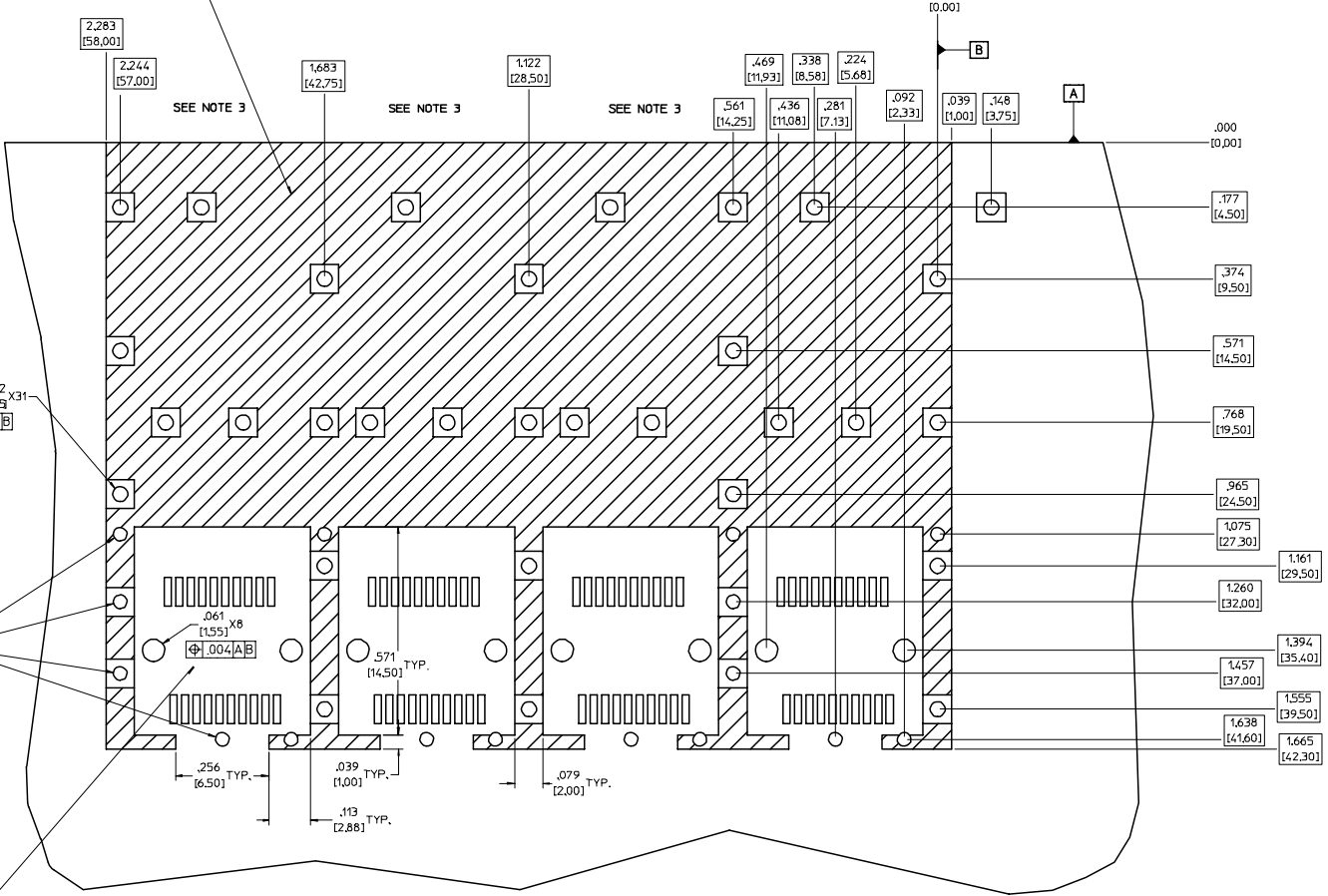
THIS AREA DENOTES  
COMPONENT KEEP-OUT  
(TRACES ALLOWED)

- NOTES:
- PADS AND VIAS GO TO CHASSIS GROUND. (64 PLACES).  
RECOMMENDED PADS TO BE 2mm SQUARE
  - PLATING OPTIONAL FOR THROUGH HOLES. (16 PLACES).
  - RECOMMENDED PLATING INCLUDES HASL, IMMERSION (GOLD, SILVER, OR TIN), AND OSP.
  - HOLE PATTERN REPEATS FOR EACH PORT,  
SPACING BETWEEN PORTS IS 5.61 [14.25]
  - CONNECTOR PAD LAYOUT PER SFP MSA. WILL ACCOMMODATE MOLEX  
CONNECTOR SERIES 74441 OR EQUIVALENT.

<b>ENTER DESCRIPTION</b> EC NO: UST2006-0079 DRAWN BY: JORWANKI MONSON 2006/01/17 CHECKED BY: CHUCK BRUSSELL 2006/01/28 APPR: BRUSSELL 2006/01/28 DESCRIPTION:	QUALITY SYMBOLS	GENERAL TOLERANCES (UNLESS SPECIFIED)	DIMENSION STYLE	SCALE	DESIGN UNITS	THIRD ANGLE PROJECTION	
	$\nabla=0$ $\nabla=0$	mm INCH 4 PLACES ± --- ± --- 3 PLACES ± --- ± .005 2 PLACES ± 0.13 ± .01 1 PLACE ± 0.25 ± --- ANGULAR ± 1 °	IN/MM DRAWN BY: KS IMONSO 2004/03/22 CHECKED BY: BRUSSELL 2004/03/22 APPROVED BY: BRUSSELL 2004/03/22	DATE DATE DATE	6:1	METRIC	TITLE 1X4 SFP GANGED CAGE ASSEMBLY W/ ELASTOMER GASKET, PRESS FIT MOLEX INCORPORATED
	DRAFT WHERE APPLICABLE MUST REMAIN WITHIN DIMENSIONS	MATERIAL NO: 739270411	DOCUMENT NO: SD-73927-411	SHEET NO: 2 OF 5	THIS DRAWING CONTAINS INFORMATION THAT IS PROPRIETARY TO MOLEX INCORPORATED AND SHOULD NOT BE USED WITHOUT WRITTEN PERMISSION		
	REV	SIZE D					

# PCB LAYOUT FOR SINGLE SIDE MOUNTING

CROSS-HATCHED AREA DENOTES  
COMPONENT AND TRACE KEEP-OUT  
(EXCEPT CHASSIS GROUND)



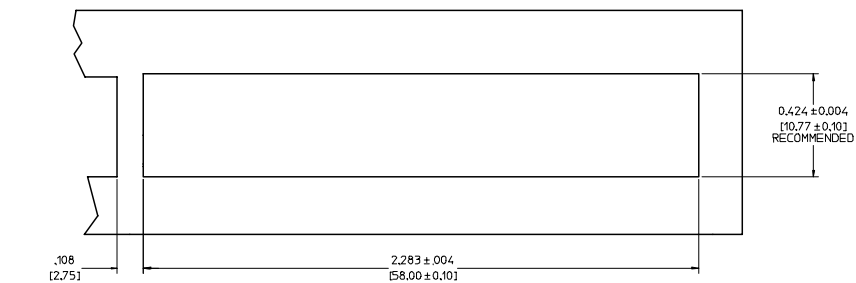
THIS AREA DENOTES  
COMPONENT KEEP-OUT  
(TRACES ALLOWED)

- NOTES:**
- PADS AND VIAS GO TO CHASSIS GROUND. (34 PLACES).  
RECOMMENDED PADS TO BE 2mm SQUARE
  - PLATING OPTIONAL FOR THROUGH HOLES. (12 PLACES).
  - RECOMMENDED PLATING INCLUDES HASL, IMMERSION (GOLD, SILVER, OR TIN), AND OSP.
  - HOLE PATTERN REPEATS FOR EACH PORT.  
SPACING BETWEEN PORTS IS 5.61 [14.25]
  - CONNECTOR PAD LAYOUT PER SFP MSA. WILL ACCOMMODATE MOLEX CONNECTOR SERIES 74441 OR EQUIVALENT.

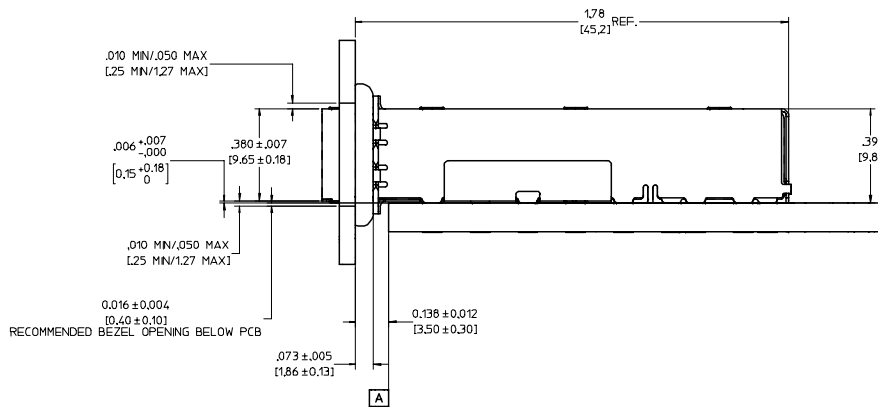
<b>ENTER DESCRIPTION</b> EC NO: UST2006-0079 DRAWN BY: JORWANKS/IMONSO 2004/01/17 CHECKED BY: CHFK/BRUSSELL 2004/01/28 APPR: BRUSSELL 2004/01/25	QUALITY SYMBOLS	GENERAL TOLERANCES (UNLESS SPECIFIED)	DIMENSION STYLE	SCALE	DESIGN UNITS	THIRD ANGLE PROJECTION
	$\nabla=0$ $\nabla=0$	mm INCH 4 PLACES ± --- ± --- 3 PLACES ± --- ± .005 2 PLACES ± 0.13 ± .01 1 PLACE ± 0.25 ± --- ANGULAR ± 1 °	IN/MM DATE DRAWN BY: KS IMONSO 2004/03/22 CHECKED BY: BRUSSELL 2004/03/22 APPROVED BY: BRUSSELL 2004/03/22	6:1	METRIC	TITLE 1X4 SFP GANGED CAGE ASSEMBLY W/ ELASTOMER GASKET, PRESS FIT MOLEX INCORPORATED
	DRAFT WHERE APPLICABLE MUST REMAIN WITHIN DIMENSIONS	MATERIAL NO. 739270411	DOCUMENT NO. SD-73927-411	SHEET NO. 3 OF 5		
	THIS DRAWING CONTAINS INFORMATION THAT IS PROPRIETARY TO MOLEX INCORPORATED AND SHOULD NOT BE USED WITHOUT WRITTEN PERMISSION					

20 19 18 17 16 15 14 13 12 11 10 9 8 7 6 5 4 3 2 1

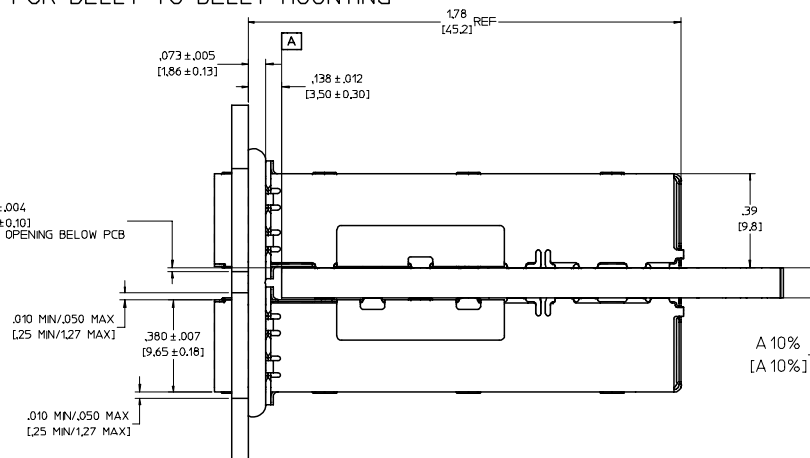
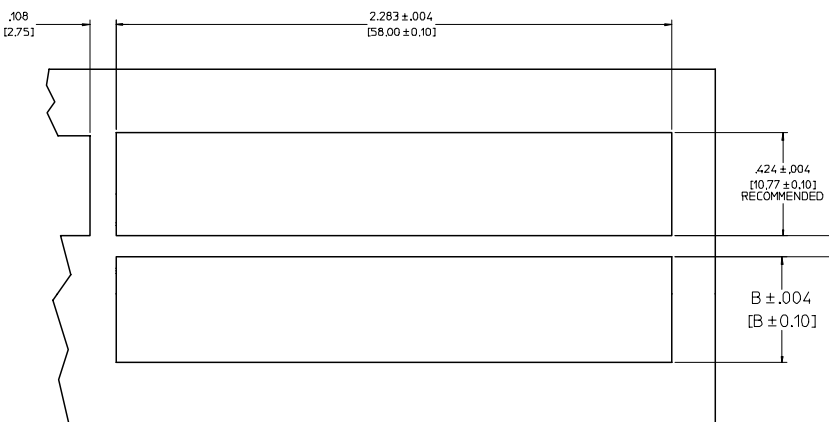
M L K J I H G F E D C B A



BEZEL AND BOARD POSITION DIMENSIONS FOR SINGLE SIDE MOUNTING



BEZEL AND BOARD POSITION DIMENSIONS FOR BELLY TO BELLY MOUNTING



NOTE: FOR A GIVEN BOARD THICKNESS (A), DIMENSIONS (B) AND (C) ARE DIRECTLY AFFECTED.

USE RECOMMENDED DIMENSIONS AND TOLERANCES TO AID IN DEVELOPING BEZEL OPENING.

FOR EXAMPLE USING A BOARD THICKNESS OF .125" THE RECOMMENDED VALUES WOULD BE:

- A= .125/3.18 ± 10%
- B= .434/11.03 ± .004
- C= .088/2.23 ± .004

<b>ENTER DESCRIPTION</b> EC NO: UST2006-0079 DRAWN BY: DRWANKS/IMONSON 2006/01/17 CHECKED BY: CHFK/BRUSSELL 2006/01/28 APPR: BRUSSELL 2006/01/25	<b>QUALITY SYMBOLS</b> ▽=0 ▽=0	<b>GENERAL TOLERANCES (UNLESS SPECIFIED)</b> <table border="1"> <tr> <th></th> <th>mm</th> <th>INCH</th> </tr> <tr> <td>3 PLACES ±</td> <td>---</td> <td>± .005</td> </tr> <tr> <td>2 PLACES ±</td> <td>0.13</td> <td>± .01</td> </tr> <tr> <td>1 PLACE ±</td> <td>0.25</td> <td>± .01</td> </tr> <tr> <td colspan="3">ANGULAR ± 1 °</td> </tr> </table>		mm	INCH	3 PLACES ±	---	± .005	2 PLACES ±	0.13	± .01	1 PLACE ±	0.25	± .01	ANGULAR ± 1 °			<b>DIMENSION STYLE</b> IN/MM	SCALE 4:1 DESIGN UNITS METRIC	THIRD ANGLE PROJECTION
		mm	INCH																	
	3 PLACES ±	---	± .005																	
	2 PLACES ±	0.13	± .01																	
1 PLACE ±	0.25	± .01																		
ANGULAR ± 1 °																				
<b>DESCRIPTION</b> 1X4 SFP GANGED CAGE ASSEMBLY W/ ELASTOMER GASKET, PRESS FIT	DRAWN BY: KS IMONSON 2004/03/22 CHECKED BY: BRUSSELL 2004/03/22 APPROVED BY: BRUSSELL 2004/03/22	DATE: 2004/03/22	TITLE: 1X4 SFP GANGED CAGE ASSEMBLY W/ ELASTOMER GASKET, PRESS FIT	MATERIAL NO.: 739270411 DOCUMENT NO.: SD-73927-411	SHEET NO.: 4 OF 5															
DRAFT WHERE APPLICABLE MUST REMAIN WITHIN DIMENSIONS	SIZE D	THIS DRAWING CONTAINS INFORMATION THAT IS PROPRIETARY TO MOLEX INCORPORATED AND SHOULD NOT BE USED WITHOUT WRITTEN PERMISSION	MOLEX MOLEX INCORPORATED																	
Rev. D 2004/06/28																				

19 18 17 16 15 14 13 12 11 10 9 8 7 6 5 4 3 2 1

20 19 18 17 16 15 14 13 12 11 10 9 8 7 6 5 4 3 2 1

M

L

K

J

I

H

G

F

E

D

C

B

A

M

L

K

J

I

H

G

F

E

D

C

B

A

DATE	REV	CHANGES	COMMENTS
11/01/2003	1	PRELIMINARY DOCUMENT	N/A
03/08/2004	A	INITIAL RELEASE	N/A
10/09/2004	B	UPDATED VIEWS	DOCUMENT CHANGE ONLY
10/07/2005	C	ADDED PCB AND BEZEL LAYOUT. UPDATED NOTES.	DOCUMENT CHANGE ONLY

<b>ENTER DESCRIPTION</b> EC NO: UST2006-0079 DRWNS:IMONSON 2006/01/17 CHKCD:BRUSSELL 2006/01/28 APPR:BRUSSELL 2006/01/28	QUALITY SYMBOLS ▽=0 ▽=0	GENERAL TOLERANCES (UNLESS SPECIFIED)		DIMENSION STYLE IN/MM	SCALE 1:1	DESIGN UNITS METRIC	THIRD ANGLE PROJECTION		
		4 PLACES ± --- ± --- 3 PLACES ± --- ± .005 2 PLACES ± 0.13 ± .01 1 PLACE ± 0.25 ± --- ANGULAR ± 1 °	mm INCH	DRAWN BY KS IMONSO	DATE 2004/03/22	TITLE 1X4 SFP GANGED CAGE ASSEMBLY W/ ELASTOMER GASKET, PRESS FIT			
		DRAFT WHERE APPLICABLE MUST REMAIN WITHIN DIMENSIONS		CHECKED BY BRUSSELL	DATE 2004/03/22	APPROVED BY BRUSSELL			
				MATERIAL NO. 739270411	DATE 2004/03/22	MOLEX INCORPORATED		DOCUMENT NO. SD-73927-411	SHEET NO. 5 OF 5

19 18 17 16 15 14 13 12 11 10 9 8 7 6 5 4 3 2 1