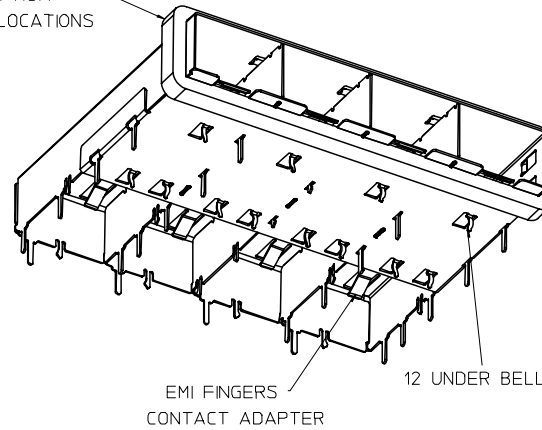
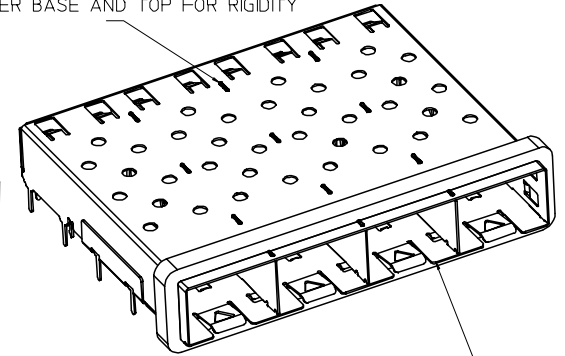


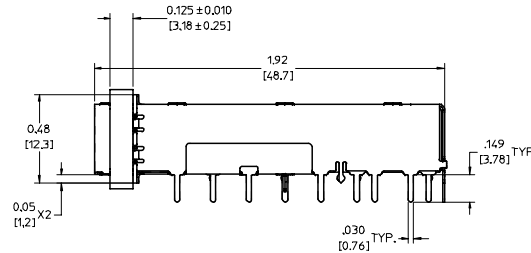
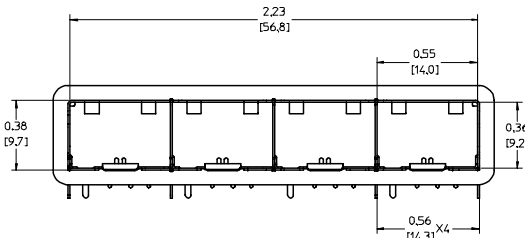
360° SOFT EMI BEZEL GASKET COMPLIES WITH (SFP) MSA BOARD AND BEZEL LOCATIONS



INNER WALL TABS ARE COINED OVER BASE AND TOP FOR RIGIDITY



DIMENSIONS OF EACH INNER CAGE DESIGNED TO FUNCTION WITH SMALL FORM-FACTOR PLUGGABLE (SFP) TRANSCEIVER



NOTES:

1. SOLDER POSTS 0.149" LONG.

2. MATERIAL: COPPER ALLOY
PLATING: NONE

NOTE: A NICKEL PLATED VERSION OF THIS ASSEMBLY IS AVAILABLE.
REFER TO DOCUMENT SD-74728-421.

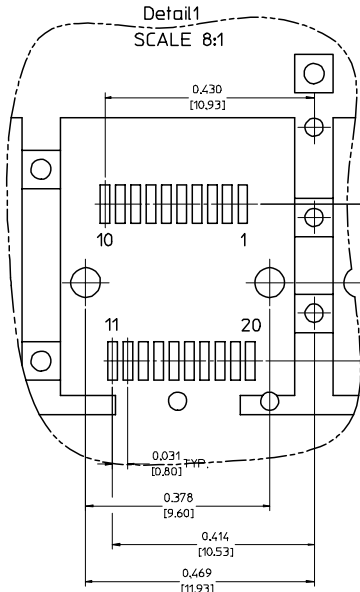
3. REFERENCE DOCUMENTS:

PRODUCT SPECIFICATION: PS-74728-000
COSMETIC SPECIFICATIONS: WI-HP-7-2774 AND WI-HPA-7-0093

4. THIS PART MEETS THE RESTRICTION OF HAZARDOUS SUBSTANCES IN ELECTRICAL AND ELECTRONIC EQUIPMENT (ROHS) DIRECTIVE (2002/95/EC).

ENTER DESCRIPTION EC NO: UST2006-0078 DRAWN BY: MDRWNS/MSOIN 2006/01/17 CHECKED BY: CHKCB/RSSELL 2006/01/28 APPR: BRUSSELL 2006/01/28 DESCRIPTION	QUALITY SYMBOLS	GENERAL TOLERANCES (UNLESS SPECIFIED)	DIMENSION STYLE	SCALE	DESIGN UNITS	THIRD ANGLE PROJECTION
	▽=0 ▽=0	4 PLACES ± --- ± --- 3 PLACES ± --- ± .005 2 PLACES ± 0.13 ± .01 1 PLACE ± 0.25 ± --- ANGULAR ± 1 °	IN/MM INCH	3:1	METRIC	DRAWN BY: KLLLOYD DATE: 2003/03/05 CHECKED BY: MMISK IN DATE: 2003/03/05 APPROVED BY: MMISK IN DATE: 2003/03/05
	DRAFT WHERE APPLICABLE MUST REMAIN WITHIN DIMENSIONS	MATERIAL NO: 739270402	DOCUMENT NO: SD-73927-402	TITLE: 1X4 SFP GANGED CAGE ASSEMBLY, SOLDER POSTS MOLEX INCORPORATED		
	SIZE: D	THIS DRAWING CONTAINS INFORMATION THAT IS PROPRIETARY TO MOLEX INCORPORATED AND SHOULD NOT BE USED WITHOUT WRITTEN PERMISSION		SHEET NO: 1 OF 4		

PCB LAYOUT FOR SINGLE SIDE MOUNTING



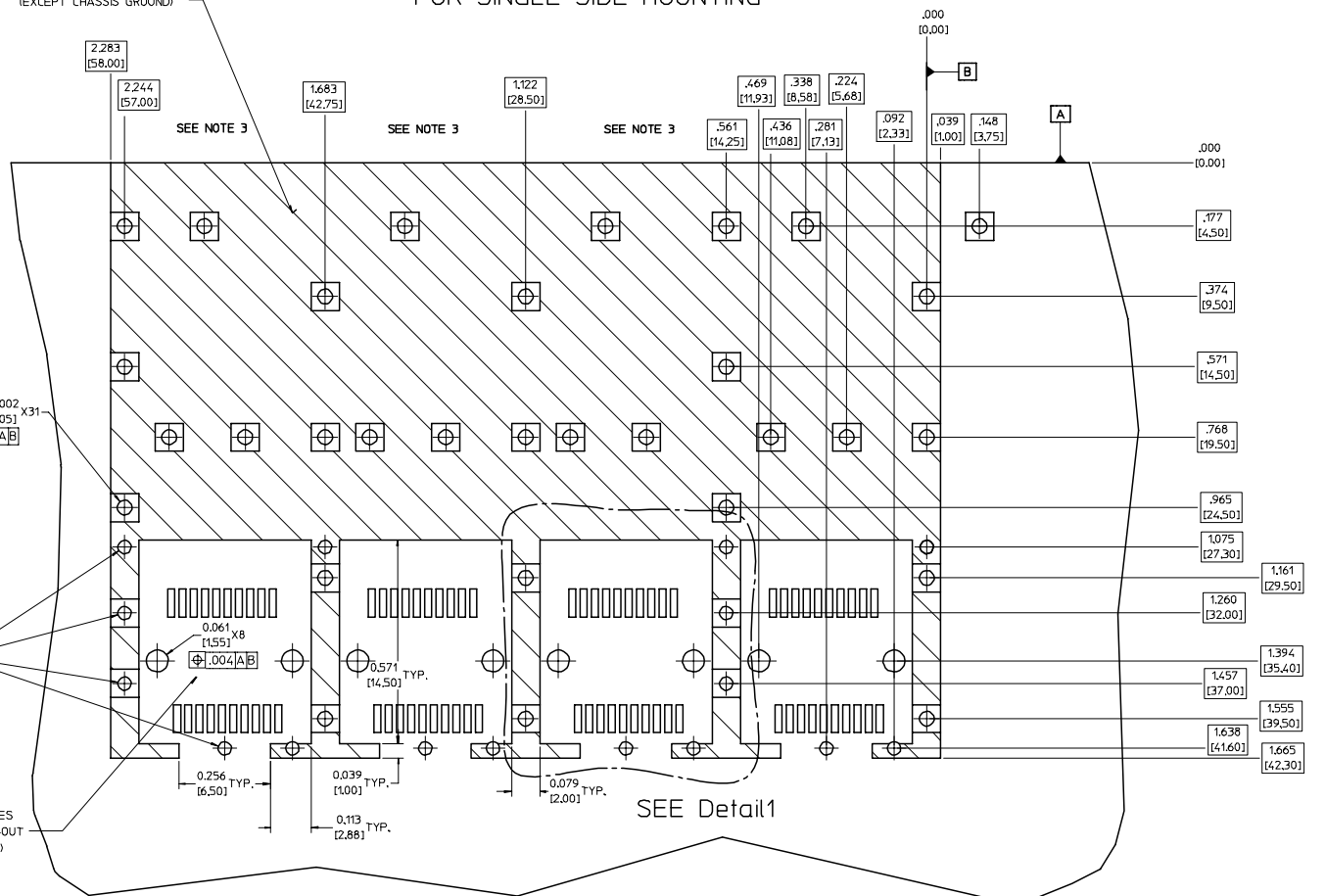
CROSS-HATCHED AREA DENOTES
COMPONENT AND TRACE KEEP-OUT
(EXCEPT CHASSIS GROUND)

$\phi 0.041 \pm 0.002$
[1.05 ± 0.05] X31
[0.004] [A] [B]

$\phi 0.037 \pm 0.002$
[0.95 ± 0.05]
[0.004] [A] [B]

SMALLER HOLE ON
THESE FOUR ROWS ONLY

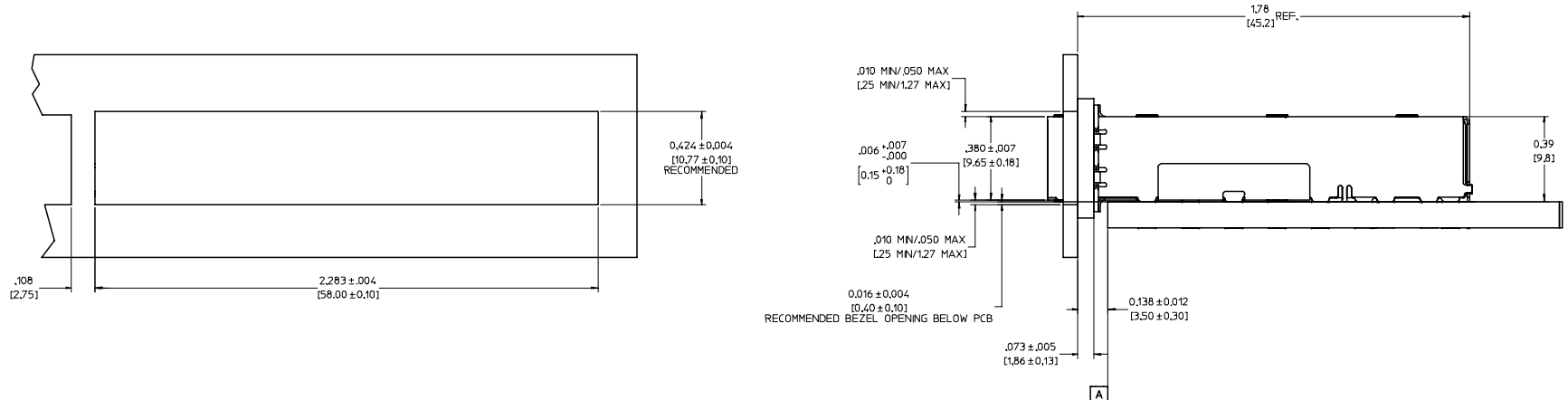
THIS AREA DENOTES
COMPONENT KEEP-OUT
(TRACES ALLOWED)



- NOTES:
- PADS AND VIAS GO TO CHASSIS GROUND, (34 PLACES).
RECOMMENDED PADS TO BE 2mm SQUARE.
 - PLATING OPTIONAL FOR THROUGH HOLES, (12 PLACES).
 - RECOMMENDED PLATING INCLUDES HASL, IMMERSION (GOLD, SILVER, OR TIN), AND OSP.
 - HOLE PATTERN REPEATS FOR EACH PORT,
SPACING BETWEEN PORTS IS 14.25mm.
 - CONNECTOR PAD LAYOUT PER SFP MSA. WILL ACCOMMODATE MOLEX
CONNECTOR SERIES 74441 OR EQUIVALENT.

ENTER DESCRIPTION EC NO: UST2006-0078 MDRWANKS/ROBINSON 2006/01/17 CHFKBRUSSELL 2006/01/28 APPR:BRUSSELL 2006/01/25	QUALITY SYMBOLS ▽=0 ▽=0	GENERAL TOLERANCES (UNLESS SPECIFIED) <table border="1"> <tr> <th></th> <th>mm</th> <th>INCH</th> </tr> <tr> <td>4 PLACES ±</td> <td>---</td> <td>±---</td> </tr> <tr> <td>3 PLACES ±</td> <td>---</td> <td>±.005</td> </tr> <tr> <td>2 PLACES ±</td> <td>0.13</td> <td>±.01</td> </tr> <tr> <td>1 PLACE ±</td> <td>0.25</td> <td>±---</td> </tr> <tr> <td colspan="3">ANGULAR ± 1°</td> </tr> </table>		mm	INCH	4 PLACES ±	---	±---	3 PLACES ±	---	±.005	2 PLACES ±	0.13	±.01	1 PLACE ±	0.25	±---	ANGULAR ± 1°			DIMENSION STYLE IN/MM	SCALE 6:1	DESIGN UNITS METRIC	THIRD ANGLE PROJECTION
		mm	INCH																					
	4 PLACES ±	---	±---																					
	3 PLACES ±	---	±.005																					
2 PLACES ±	0.13	±.01																						
1 PLACE ±	0.25	±---																						
ANGULAR ± 1°																								
DRAWN BY KLLLOYD	DATE 2003/03/05	TITLE 1X4 SFP GANGED CAGE ASSEMBLY, SOLDER POSTS		MOLEX INCORPORATED		SHEET NO. 2 OF 4																		
DRAFT WHERE APPLICABLE MUST REMAIN WITHIN DIMENSIONS		MATERIAL NO. 739270402	DOCUMENT NO. SD-73927-402		THIS DRAWING CONTAINS INFORMATION THAT IS PROPRIETARY TO MOLEX INCORPORATED AND SHOULD NOT BE USED WITHOUT WRITTEN PERMISSION																			
SIZE D																								

BEZEL AND BOARD POSITION DIMENSIONS FOR SINGLE SIDE MOUNTING



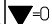
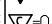


ENTER DESCRIPTION EC NO: UST2006-0078 DRAWN BY: MDRWANKS/ROBINSON 2006/01/17 CHECKED BY: CHFKBRUSSELL 2006/01/28 APPR: BRUSSELL 2006/01/28	QUALITY SYMBOLS ▽=0 ▽=0	GENERAL TOLERANCES (UNLESS SPECIFIED) mm INCH 4 PLACES ± --- ± --- 3 PLACES ± --- ± .005 2 PLACES ± 0.13 ± .01 1 PLACE ± 0.25 ± --- ANGULAR ± 1 °	DIMENSION STYLE IN/MM DRAWN BY: KLLLOYD DATE: 2003/03/05 CHECKED BY: MMISKIN DATE: 2003/03/05 APPROVED BY: MMISKIN DATE: 2003/03/05	SCALE: 4:1 DESIGN UNITS: METRIC THIRD ANGLE PROJECTION	TITLE: 1X4 SFP GANGED CAGE ASSEMBLY, SOLDER POSTS MOLEX INCORPORATED
	DRAFT WHERE APPLICABLE MUST REMAIN WITHIN DIMENSIONS		MATERIAL NO: 739270402 SIZE: D	DOCUMENT NO: SD-73927-402 SHEET NO: 3 OF 4	THIS DRAWING CONTAINS INFORMATION THAT IS PROPRIETARY TO MOLEX INCORPORATED AND SHOULD NOT BE USED WITHOUT WRITTEN PERMISSION

20 19 18 17 16 15 14 13 12 11 10 9 8 7 6 5 4 3 2 1

M
L
K
J
I
H
G
F
E
D
C
B
A

M
L
K
J
I
H
G
F
E
D
C
B
A

DATE	REV	CHANGES	COMMENTS
9/12/02	A	INITIAL RELEASE	N/A
5/20/03	B	MOVED PCB LAYOUT AND BEZEL DETAILS TO DOCUMENT SD-73927-400	N/A
3/25/04	C	UPDATED VIEWS FOR COVER MODIFICATIONS	N/A
10/12/04	D	UPDATED VIEWS	DOCUMENT CHANGE ONLY
10/07/05	E	ADD PCB AND BEZEL LAYOUT. UPDATED NOTES.	DOCUMENT CHANGE ONLY

ENTER DESCRIPTION EC NO: UST2006-0078 TDRWNS:RMONSON 2006/01/17 CHKD:BRUSSELL 2006/01/28 APPR:BRUSSELL 2006/01/28	QUALITY SYMBOLS  = 0  = 0	GENERAL TOLERANCES (UNLESS SPECIFIED)		DIMENSION STYLE IN/MM		SCALE 1:1	DESIGN UNITS METRIC	 THIRD ANGLE PROJECTION		
		4 PLACES ± --- ± --- 3 PLACES ± --- ± .005 2 PLACES ± 0.13 ± .01 1 PLACE ± 0.25 ± ---	mm INCH	DRAWN BY KLLLOYD	DATE 2003/03/05	TITLE 1X4 SFP GANGED CAGE ASSEMBLY, SOLDER POSTS				
		ANGULAR ± 1 °		CHECKED BY MMISK IN	DATE 2003/03/05	APPROVED BY MMISK IN			DATE 2003/03/05	 MOLEX INCORPORATED
		DRAFT WHERE APPLICABLE MUST REMAIN WITHIN DIMENSIONS		MATERIAL NO. 739270402	DOCUMENT NO. SD-73927-402	SHEET NO. 4 OF 4				

THIS DRAWING CONTAINS INFORMATION THAT IS PROPRIETARY TO MOLEX INCORPORATED AND SHOULD NOT BE USED WITHOUT WRITTEN PERMISSION

19 18 17 16 15 14 13 12 11 10 9 8 7 6 5 4 3 2 1