

NOTES:

- MATERIAL:
 - NYLON (PA6/6), UNFILLED, UL94 V-2, COLOR: NATURAL
 - NYLON (PA6/6), UNFILLED, UL94 V-0, COLOR: NATURAL
 - NYLON (PA6/6), UNFILLED, UL94 V-2, COLOR: BLACK
 - NYLON (PA6/6), UNFILLED, UL94 V-0, COLOR: BLACK
- FINISH NOT APPLICABLE.
- THIS PART CONFORMS TO MOLEX PRODUCT SPEC. NO. PS-5556-002.
- PACKAGING: PK-42474-001
- 6-24 CKT. PARTS MATE WITH MOLEX RECEPTACLES 5557, 42385 AND 42474. 2 AND 4 CKT. PARTS MATE WITH 42385 AND 42474 ONLY.
- PART IS FOR USE WITH MALE TERMINAL #5558.
- PART ALLOWS FOR UP TO .100/(2.54) MISALIGNMENT WITH MATING RECEPTACLE IN ANY DIRECTION. SEE MATING CONNECTOR DRAWINGS FOR SPECIFIC ALLOWANCES.
- PANEL CUT-OUT TO BE PUNCHED IN THE SAME DIRECTION AS CONNECTOR INSERTION.
- PARTS MANUFACTURED AFTER 95/12/31 MAY HAVE MOUNTING EAR DESIGN "B". PARTS WITH MOUNTING EAR DESIGN "A" WILL BE OBSOLETE AS TOOL LIFE DICTATES. IN SOME CASES, PARTS MAY BE AVAILABLE WITH BOTH MOUNTING EAR DESIGNS. SEE CHART ON SHEET 4 FOR SPECIFIC EAR DESIGN AVAILABILITY.

- FOR MANUFACTURING EASE PARTS MAY HAVE OPTIONAL EJECTOR RIBS. SEE SHT.3 FOR LOCATION.
- DIMENSION DOES NOT INCLUDE EJECTOR RIBS (SEE PAGE #3 FOR PARTS WITH RIBS, RIB DIMENSIONS AND LOCATION).
- IF THIS PRODUCT IS STORED IN AN ENVIRONMENT WITH A RELATIVE HUMIDITY OF LESS THAN 50%, MOISTURE MUST BE ADDED. REFER TO TECHNICAL ADVISORY AS-45499-001 FOR INSTRUCTIONS.
- INTERIOR RIB LOCATION MAY VARY.

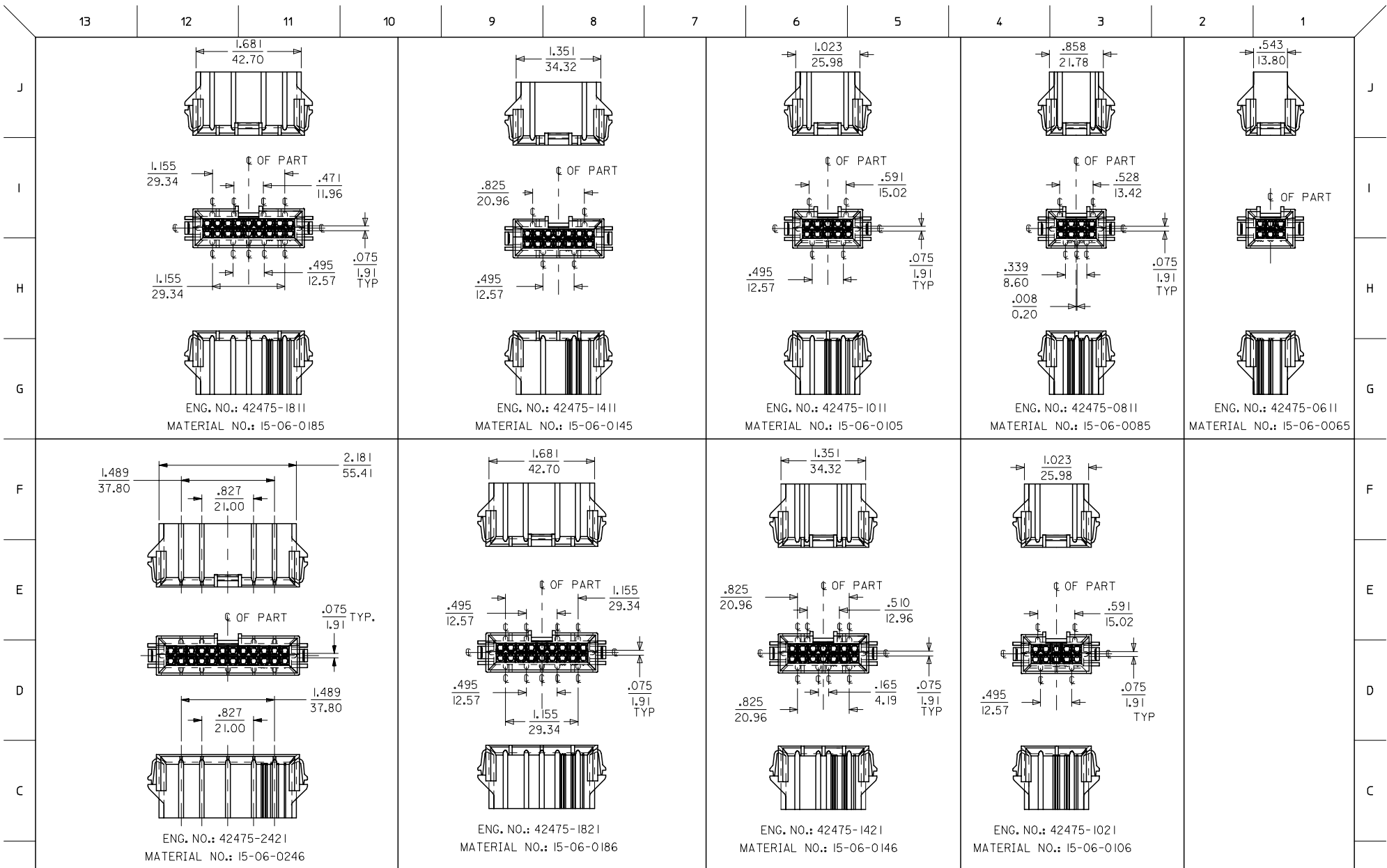
- CONNECTOR ASSEMBLIES ARE NOT TO BE MATED OR UNMATED WHILE CIRCUITS ARE LIVE.
- WIRES ARE TO BE DRESSED IN SUCH A MANNER TO ALLOW THE TERMINALS TO FLOAT FREELY IN THE POCKET.
- PART CONFORMS TO CLASS "B" REQUIREMENTS OF COSMETIC SPECIFICATION PS-45499-022.

RECOMMENDED CUT-OUT FOR .063/(1.60) MAX. THICK P.C. BOARD. (6-24 CKT.'S.)
SCALE: 2X

4	S
3	S
2	S
1	S
SHEET REV	

ADDITIONAL NOTES: EC NO: UCP2007-3279 DRW: S. SCHMIDT CHKD: S. SCHMIDT APPR: E. SMITH 2007/09/05 2007/09/07 2007/09/07	QUALITY SYMBOLS 	GENERAL TOLERANCES (UNLESS SPECIFIED) mm INCH 4 PLACES ± .005 ± .0002 3 PLACES ± .005 ± .0010 2 PLACES ± 0.25 ± .015 1 PLACE ± 0.38 ± .015 ANGULAR ±1/2°	DIMENSION STYLE IN/MM DRAWN BY DATE GEP 1989/07/18 CHECKED BY DATE RJF 1989/07/18 APPROVED BY DATE RAS 1989/07/18	SCALE 4:1 DESIGN UNITS METRIC THIRD ANGLE PROJECTION	PLUG HOUSING B.M.I. 2-24 CIRCUITS MINI-FIT SERIES MOLEX INCORPORATED	SHEET NO. 1 OF 4
		DRAFT WHERE APPLICABLE MUST REMAIN WITHIN DIMENSIONS	MATERIAL NO. SEE SHEET 4 DOCUMENT NO. SD-42475-***1 THIS DRAWING CONTAINS INFORMATION THAT IS PROPRIETARY TO MOLEX INCORPORATED AND SHOULD NOT BE USED WITHOUT WRITTEN PERMISSION	MOLEX		

SEE SHEET 2 FOR 2 & 4 CKT. PARTS



NOTES:

1) DIMENSIONS GIVEN ACROSS CENTERLINES ARE SYMMETRICAL ABOUT THOSE CENTERLINES WITHIN HALF THE TOTAL TOLERANCE.

REV
 DESCRIPTION
 5 APPROVED: FSN TH 2007/09/07
 4 CHECKED: SCHMI DT 2007/09/07
 3 DRAWN: SCHMI DT 2007/09/05
 2 EC NO: UCP2007-3279
 1 MODIFIED TITLE BLK

QUALITY SYMBOLS

GENERAL TOLERANCES (UNLESS SPECIFIED)	
mm	INCH
4 PLACES ± .010	± .0004
3 PLACES ± .015	± .0005
2 PLACES ± 0.25	± .010
1 PLACE ± 0.38	± .015
ANGULAR ± 1/2°	

DRAFT WHERE APPLICABLE MUST REMAIN WITHIN DIMENSIONS

DIMENSION STYLE	
IN/MM	DATE
DRAWN BY	1998/04/16
CHECKED BY	DATE
MAB	1998/04/16
APPROVED BY	DATE
RE	1998/04/16

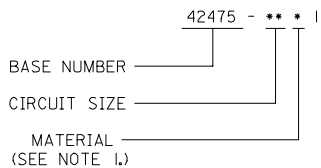
SCALE	DESIGN UNITS
1:1	METRIC

THIRD ANGLE PROJECTION
 PLUG HOUSING B.M.I
 2-24 CIRCUITS
 MINI-FIT SERIES

 MOLEX INCORPORATED
 SHEET NO. 3 OF 4
 SD-42475-***1

13		12		11		10		9		8		7		6		5		4		3		2		1	
J	PART NUMBER	ENG. NUMBER	CKT. SIZE	MATERIAL (SEE NOTE 1.)		PART NUMBER	CKT. SIZE	MATERIAL (SEE NOTE 1.)		MOUNTING EAR TYPE		42475-***2I, 5558-GS*	42474-***2I, 5556-PBGS*P	94V-0	PHOS. BRZ.	GOLD	J								
	NOT TOOLED	42475-021I	2	I						3	CKT. SIZE							DESIGN A, DESIGN B (SEE SHEET I)	42475-***1I, 5558-GS*	42474-***1I, 5556-PBGS*P	94V-2	BRASS	GOLD		
	15-06-0045	42475-041I	4	↑		42475-043I	4	↑		2	N/A	42475-***2I, 5558-GS*	42474-***2I, 5556-PBGS*P	94V-0	PHOS. BRZ.	TIN									
	15-06-0065	42475-061I	6	↑		42475-063I	6	↑		4	B	42475-***1I, 5558-GS*	42474-***1I, 5556-GS*P	94V-2	BRASS	GOLD									
	15-06-0085	42475-081I	8	↑		42475-083I	8	↑		6	B	42475-***2I, 5558-PBS*	42474-***2I, 5556-PBS*P	94V-0	PHOS. BRZ.	TIN									
I	15-06-0105	42475-101I	10	↑		42475-103I	10	↑		8	A	42475-***1I, 5558-PBS*	42474-***1I, 5556-PBS*P	94V-2	PHOS. BRZ.	TIN	I								
	NOT TOOLED	42475-121I	12	↑			12	↑		10	B	42475-***2I, 5558-S*	42474-***2I, 5556-S*P	94V-0	BRASS	GOLD									
	15-06-0145	42475-141I	14	↑		42475-143I	14	↑		12	N/A	42475-***1I, 5558-GS*	A-42385-***D2	94V-2	PHOS. BRZ.	GOLD									
	NOT TOOLED	42475-161I	16	↑			16	↑		14	B	42475-***2I, 5558-GS*	A-42385-***C2	94V-0	BRASS	GOLD									
H	15-06-0185	42475-181I	18	↑		42475-183I	18	↑		16	N/A	42475-***2I, 5558-GS*	A-42385-***B2	94V-0	PHOS. BRZ.	TIN	H								
	15-06-0205	42475-201I	20	↑		42475-203I	20	↑		18	A & B	42475-***1I, 5558-GS*	A-42385-***A2	94V-2	BRASS	TIN									
	NOT TOOLED	42475-221I	22	↓			22	↓		20	A	42475-***2I, 5558-PBS*	A-42385-***D1	94V-0	PHOS. BRZ.	TIN									
	15-06-0245	42475-241I	24	↓		42475-243I	24	↓		22	N/A	42475-***1I, 5558-PBS*	A-42385-***C1	94V-2	BRASS	TIN									
G				↓				↓		24	B	42475-***2I, 5558-S*	A-42385-***B1	94V-0	PHOS. BRZ.	TIN	G								
	NOT TOOLED	42475-022I	2	2			2	4				PLUG HOUSING/ MALE TERMINAL		MATING CONNECTOR		HSG. MAT'L.	TERM. MAT'L.	PLATING							
	15-06-0046	42475-042I	4	↑		42475-044I	4	↑								MATING CONNECTOR FEATURES									
	15-06-0066	42475-062I	6	↑			6	↑																	
F	NOT TOOLED	42475-082I	8	↑			8	↑																	
	15-06-0106	42475-102I	10	↑		42475-104I	10	↑																	
	NOT TOOLED	42475-122I	12	↑			12	↑																	
	15-06-0146	42475-142I	14	↑		42475-144I	14	↑																	
E	NOT TOOLED	42475-162I	16	↑			16	↑																	
	15-06-0186	42475-182I	18	↑		42475-184I	18	↑																	
	15-06-0206	42475-202I	20	↑		42475-204I	20	↑																	
	NOT TOOLED	42475-222I	22	↓			22	↓																	
D	15-06-0246	42475-242I	24	↓		42475-244I	24	↓																	

LEGEND:



MODIFIED TITLE BLK EC NO: UCP2007-3279 2007/09/05 DRWNL:LSCHMI DT 2007/09/07 CHKD:LSCHMI DT 2007/09/07 APPR:FSM TH 2007/09/07 REVISION	QUALITY SYMBOLS ▽=0 ▽=0	GENERAL TOLERANCES (UNLESS SPECIFIED) <table border="1"> <tr> <th></th> <th>mm</th> <th>INCH</th> </tr> <tr> <td>4 PLACES</td> <td>± .10</td> <td>± .004</td> </tr> <tr> <td>3 PLACES</td> <td>± .12</td> <td>± .005</td> </tr> <tr> <td>2 PLACES</td> <td>± .15</td> <td>± .006</td> </tr> <tr> <td>1 PLACE</td> <td>± .20</td> <td>± .008</td> </tr> </table>		mm	INCH	4 PLACES	± .10	± .004	3 PLACES	± .12	± .005	2 PLACES	± .15	± .006	1 PLACE	± .20	± .008	DIMENSION STYLE IN/MM DRAWN BY DATE GEP 1989/07/18 CHECKED BY DATE RJF 1989/07/18 APPROVED BY DATE RAS 1989/07/18	SCALE 4:1 DESIGN UNITS METRIC THIRD ANGLE PROJECTION	TITLE PLUG HOUSING B.M.I. 2-24 CIRCUITS, MINI-FIT SERIES
		mm	INCH																	
	4 PLACES	± .10	± .004																	
	3 PLACES	± .12	± .005																	
2 PLACES	± .15	± .006																		
1 PLACE	± .20	± .008																		
DRAFT WHERE APPLICABLE MUST REMAIN WITHIN DIMENSIONS		MATERIAL NO. SEE CHART	DOCUMENT NO. SD-42475-***1	SHEET NO. 4 OF 4	MOLEX INCORPORATED															
THIS DRAWING CONTAINS INFORMATION THAT IS PROPRIETARY TO MOLEX INCORPORATED AND SHOULD NOT BE USED WITHOUT WRITTEN PERMISSION																				