

Industrial, Mineral Insulated Thermocouples, PTFE lead

Type K, mineral insulated, flexible, stainless steel sheathed thermocouple probe with PTFE insulated extension lead

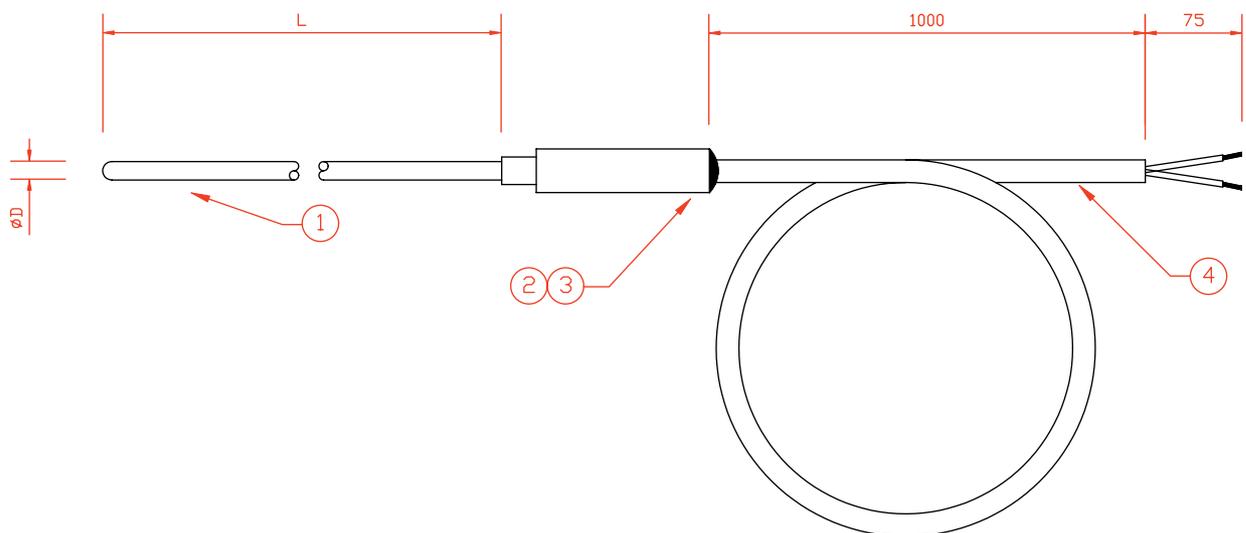
Specifications

| | |
|------------------------|---|
| Sensor Type | Thermocouple type K to IEC 60584 |
| Probe Material | 310 stainless steel with welded tip. Mineral insulated conductors with insulated junction |
| Tip Temperature Rating | -40°C to 1100°C |
| Probe termination | Plain pot seal |
| Pot temperature Rating | 180°C |
| Termination | Flying lead & tails; PTFE insulated, 7/0.2mm, 1 metre |

Dimensions and Codes

| Probe dia (mm) | Probe length (mm) | Farnell Code | Lab Code |
|----------------|-------------------|--------------|------------|
| 1.5 | 150 | 4248193 | XF-329-FAR |
| 1.5 | 250 | 4248200 | XF-330-FAR |
| 3.0 | 150 | 4248211 | XF-331-FAR |
| 3.0 | 250 | 4248223 | XF-332-FAR |
| 6.0 | 150 | 4248235 | XF-333-FAR |
| 6.0 | 250 | 4248247 | XF-334-FAR |

Data Ref: FAR5b



| Item | Farnell Part No. | D | L |
|------|------------------|-----|-----|
| A | 424-8193 | 1.5 | 150 |
| B | 424-8200 | 1.5 | 250 |
| C | 424-8211 | 3 | 150 |
| D | 424-8223 | 3 | 250 |
| E | 424-8235 | 6 | 150 |
| F | 424-8247 | 6 | 250 |